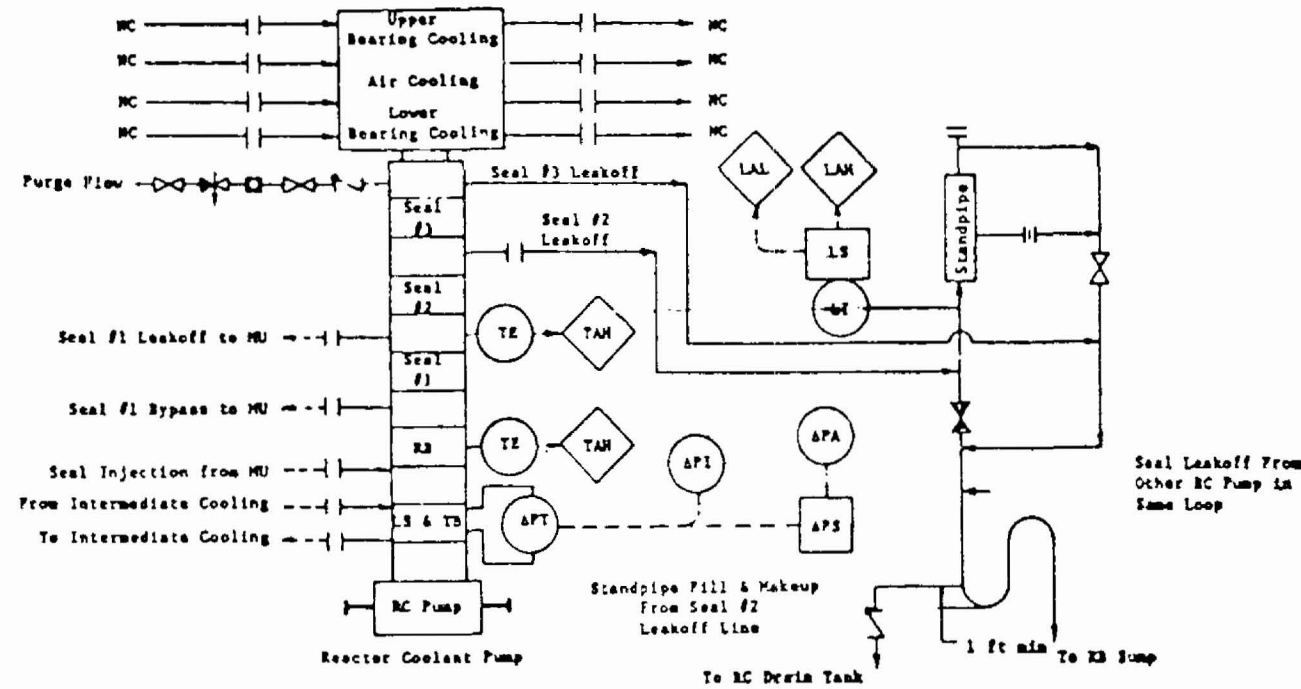


Reactor Coolant Pump Seals, Seal Leak-off, and External Connections



- TE - Temperature Element
- TAH - High Temperature Alarm
- AP - Change in Pressure
- APT - AP Transmitter
- API - AP Indicator
- APS - AP Switch
- APA - Low AP Alarm
- MC - Nuclear Cooling Water
- LS & TB - Labyrinth Seal and Thermal Barrier
- RB - Radial Bearing
- L - Level
- LI - Indicator
- LS - Switch
- LAL - Low Alarm
- LAH - High Alarm

TRAINING COMPOSITE

TMI

UNIT-1

REV. 0 THIS DWG IS DEVELOPED FROM OPERATIONS DEPT. SKETCHES.

DRAWN I. KEFER CHK'D. P. Prabender
 DESIGN LEADER P. PRABENDER ENG.
 MANAGER APPROVAL
 ENG. MECH.

GPU Nuclear
 REACTOR COOLANT PUMP
 SEALS

DWG. NO. 1-TC-547

SCALE: NONE AUTH. NO.

REV.

0