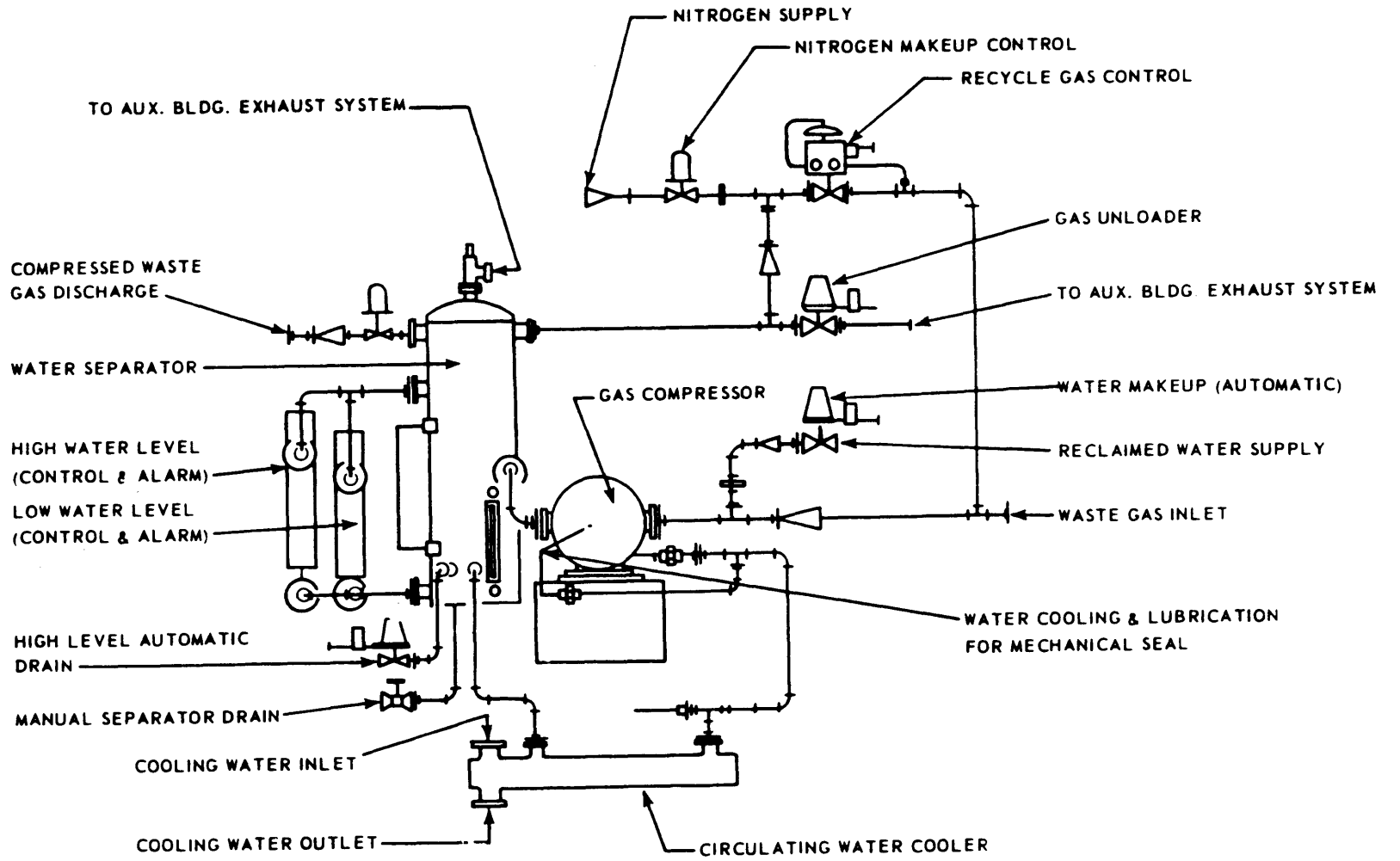


TMI UFSAR

Figures 11.2-1 through 11.2-6

Deleted



P. 11.FIG-12

GPJ Nuclear

TMI Unit-1 Update -1
7/82

Waste Gas System Compressor Schematic

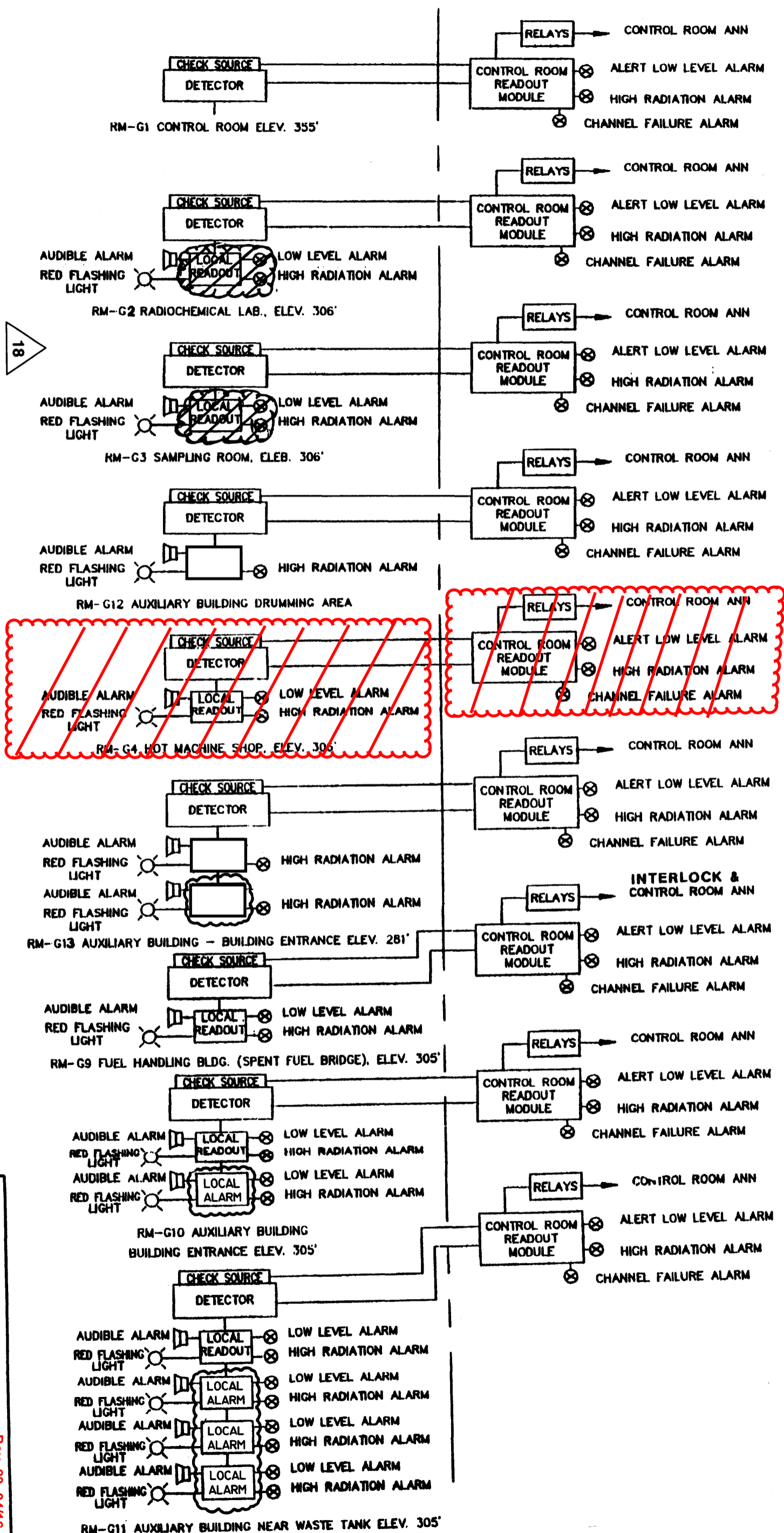
Fig. 11.2-7

TMI UFSAR

Figure 11.3-1

Deleted

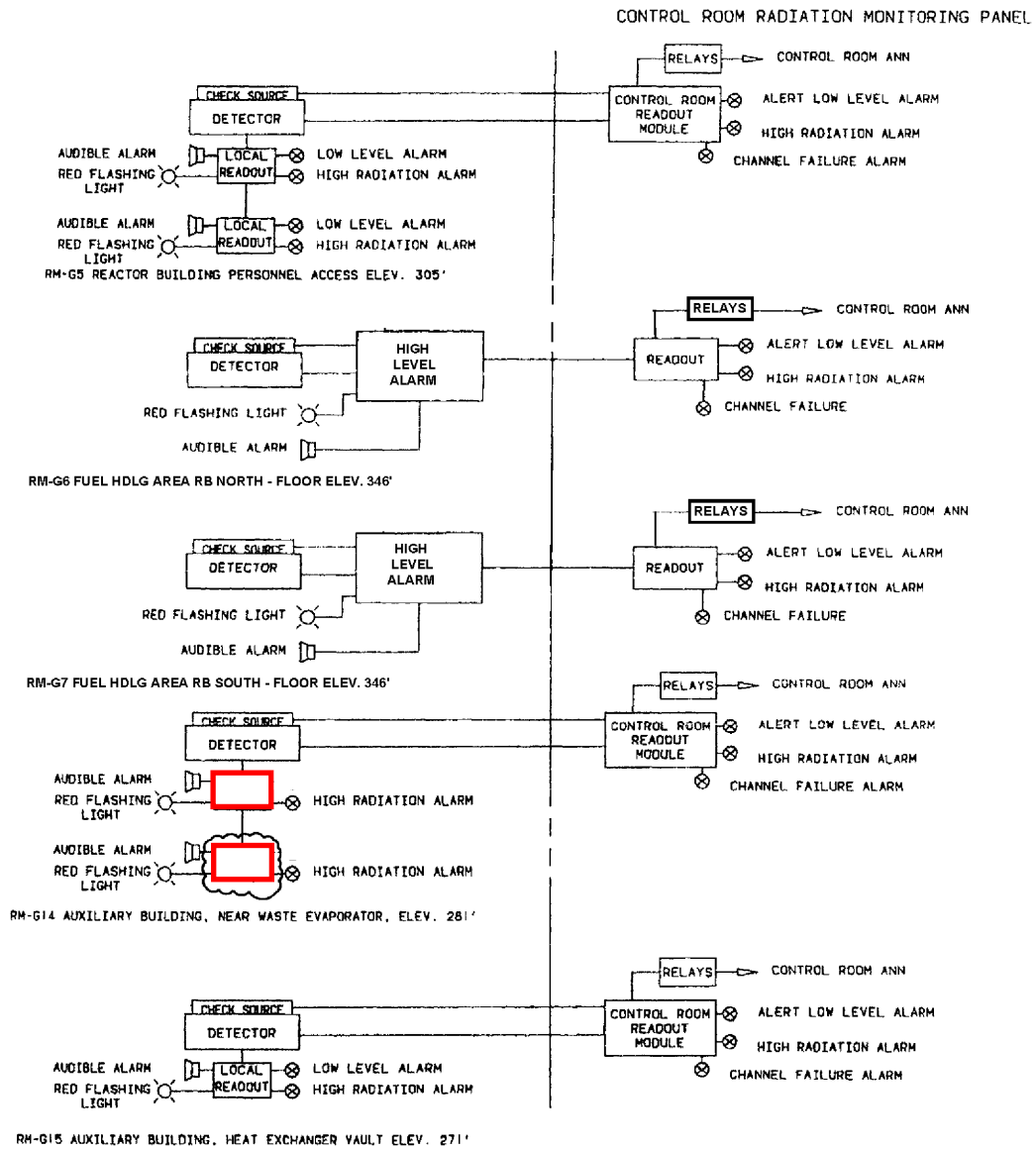
CONTROL ROOM RADIATION MONITORING PANEL



P. 11. FIG-14

TMI - UNIT 1
 UFSAR
 RADIATION MONITORING SYSTEM
 BLOCK DIAGRAM
 CAD FILE: 547IR14.DWG
 SHEET 1 OF 14
 FIG. 11.4-1
 Rev. 23 04/16

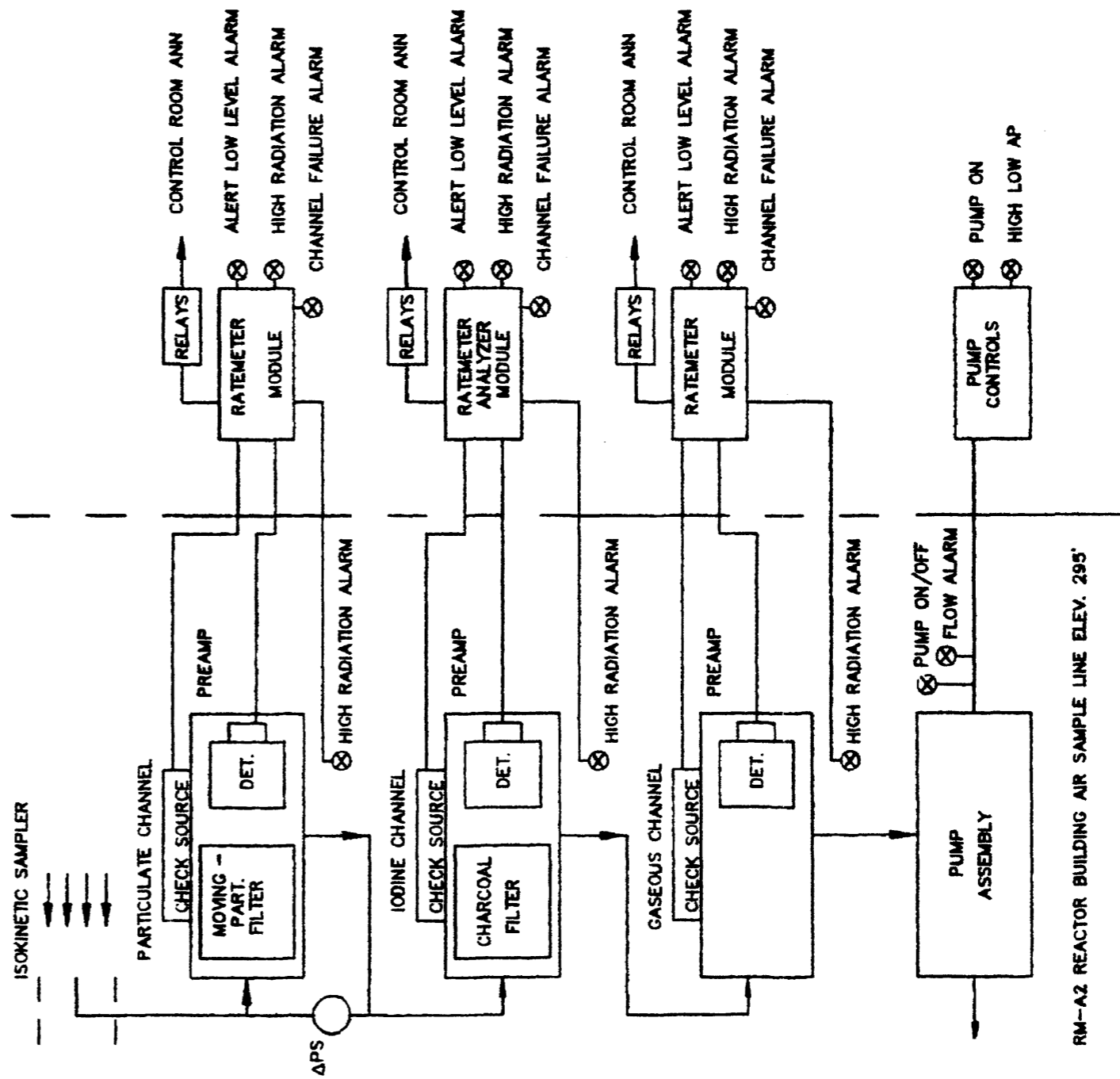
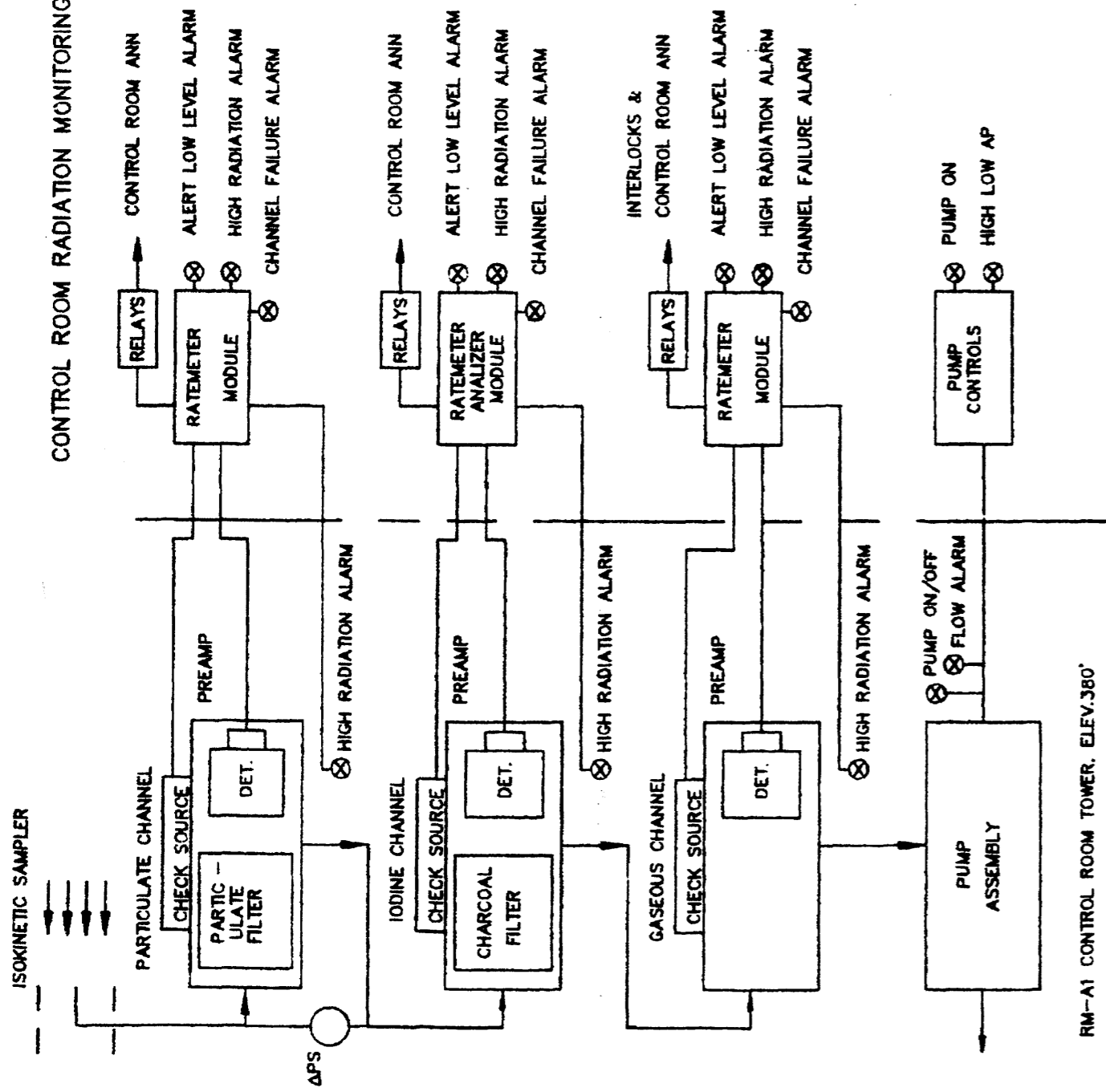
TMI UFSAR



p.11.FIG-15

TMI - UNIT 1	Rev. 21 04/12
RADIATION MONITORING SYSTEM BLOCK DIAGRAM	
FIGURE 11.4-1 (SHEET 2 OF 14)	

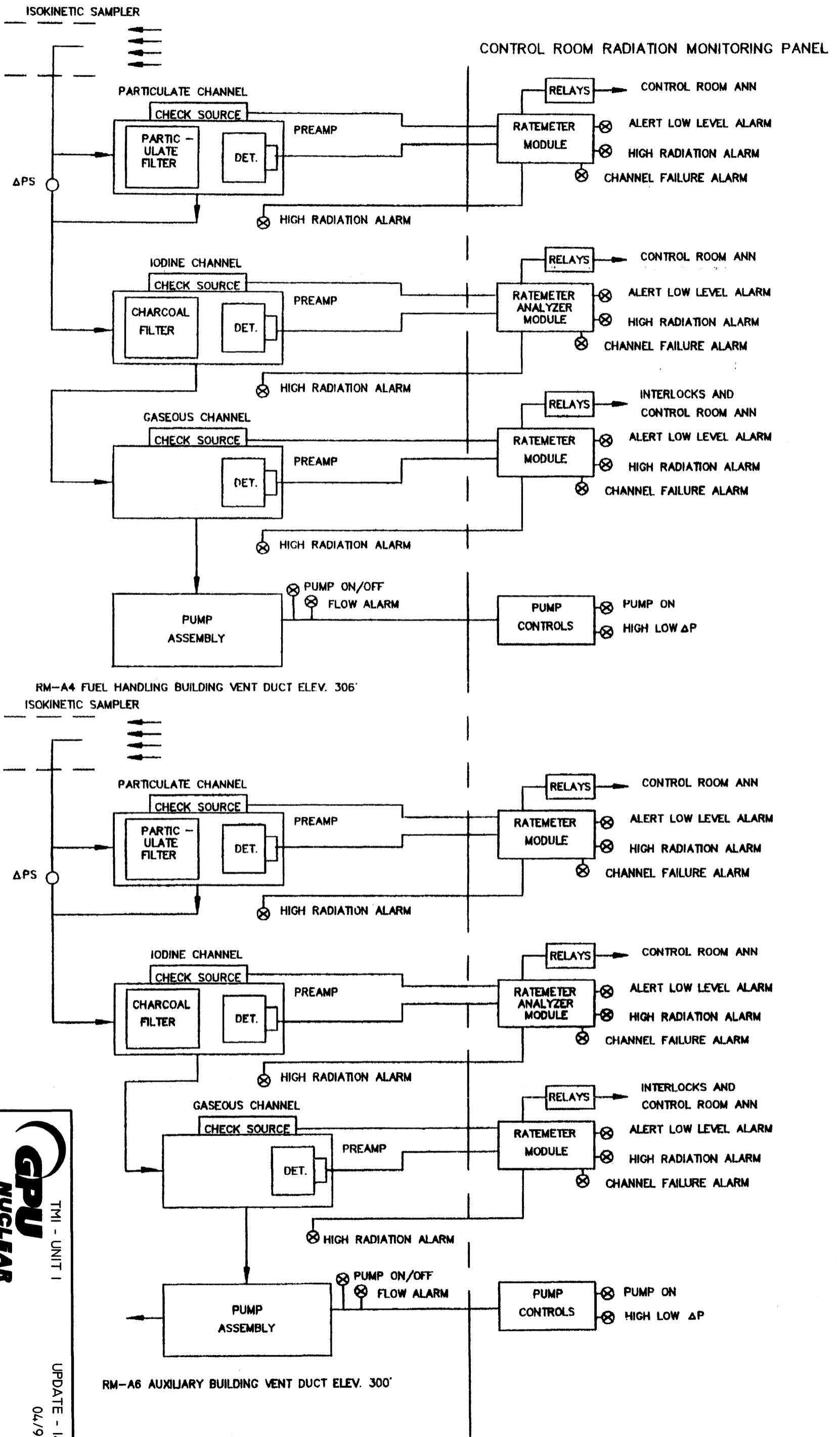
CONTROL ROOM RADIATION MONITORING PANEL



P. 11.FIG-16

	TMI - UNIT 1	UPDATE - 14
		04/98
RADIATION MONITORING SYSTEM BLOCK DIAGRAM		SHEET 3 OF 14 FIG 11.4-1
CAD FILE: 5473RI4.DWG		

P. 11, FIG-17



GPU
NUCLEAR

TMI - UNIT 1

RADIATION MONITORING SYSTEM
BLOCK DIAGRAM

UPDATE - 14
04/98

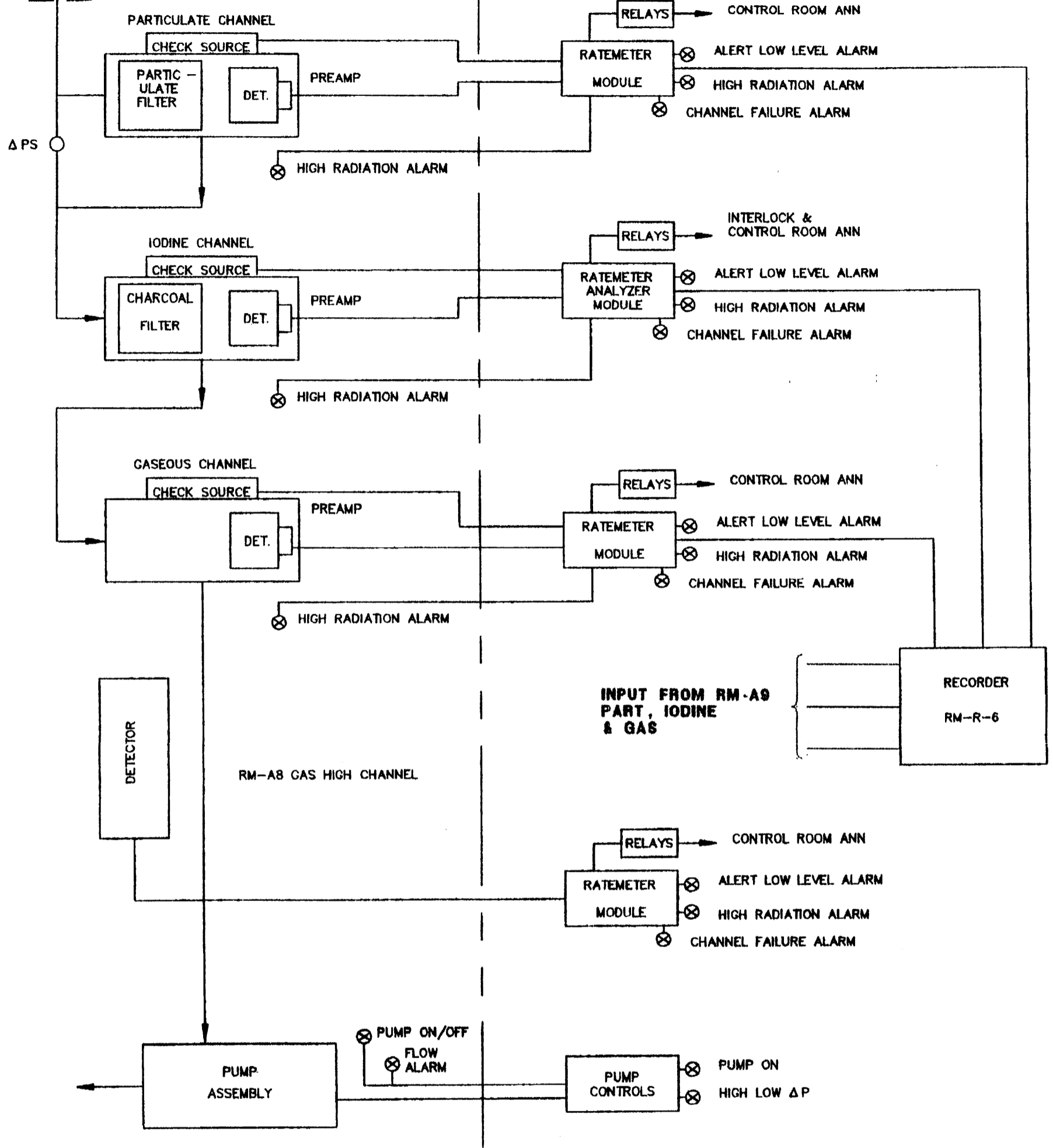
SHEET 4 OF 14
FIG 11.4-1

CAD FILE: 5474R14.DWG

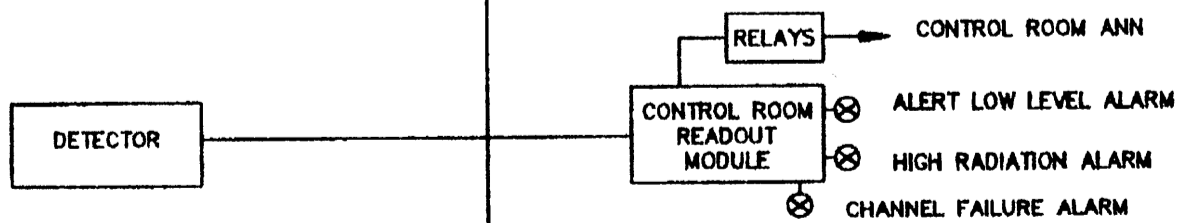
P. 11, FIG-18

ISOKINETIC SAMPLER

CONTROL ROOM RADIATION MONITORING PANEL



RM-A8 AUXILIARY BUILDING & FUEL HANDLING BUILDING VENT DUCT (UNIT VENT) NEAR BWST



RM-G22 REACTOR BUILDING HIGH RANGE AREA MONITOR, ELEV. 346'

CAD FILE: 5475R14.DWG

RADIATION MONITORING SYSTEM BLOCK DIAGRAM

GPU NUCLEAR

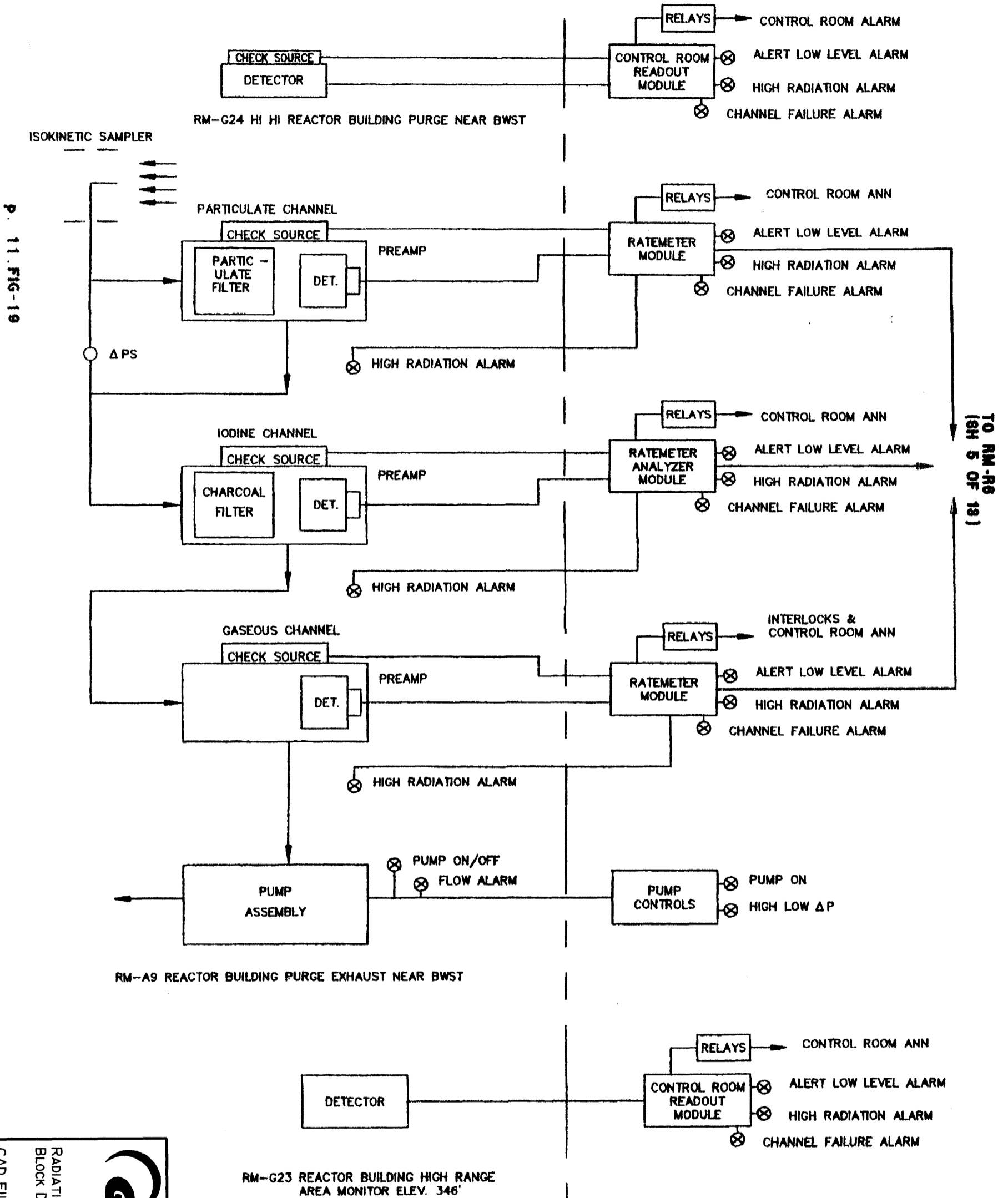
TMI - UNIT 1

UPDATE - 14
04/98

SHEET 5 OF 14

FIG 11.4-1

CONTROL ROOM RADIATION MONITORING PANEL



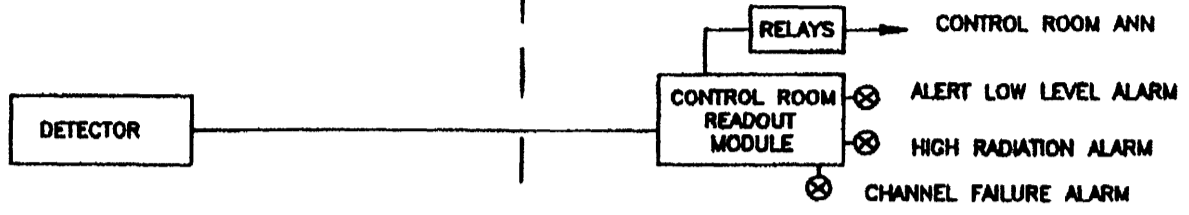
P. 11 FIG-19

TO RM-R6 (SH 5 OF 18)

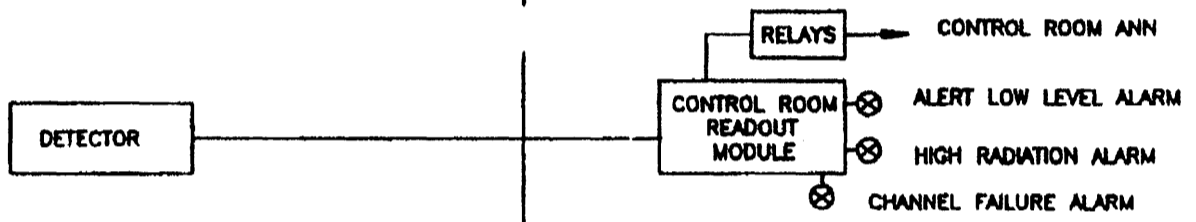
GPU NUCLEAR
 TMI - UNIT 1
 RADIATION MONITORING SYSTEM
 BLOCK DIAGRAM
 CAD FILE: 5476RI4.DWG
 SHEET 6 OF 14
 FIG 11.4-1
 UPDATE - 14
 04/98

P. 11.FIG-20

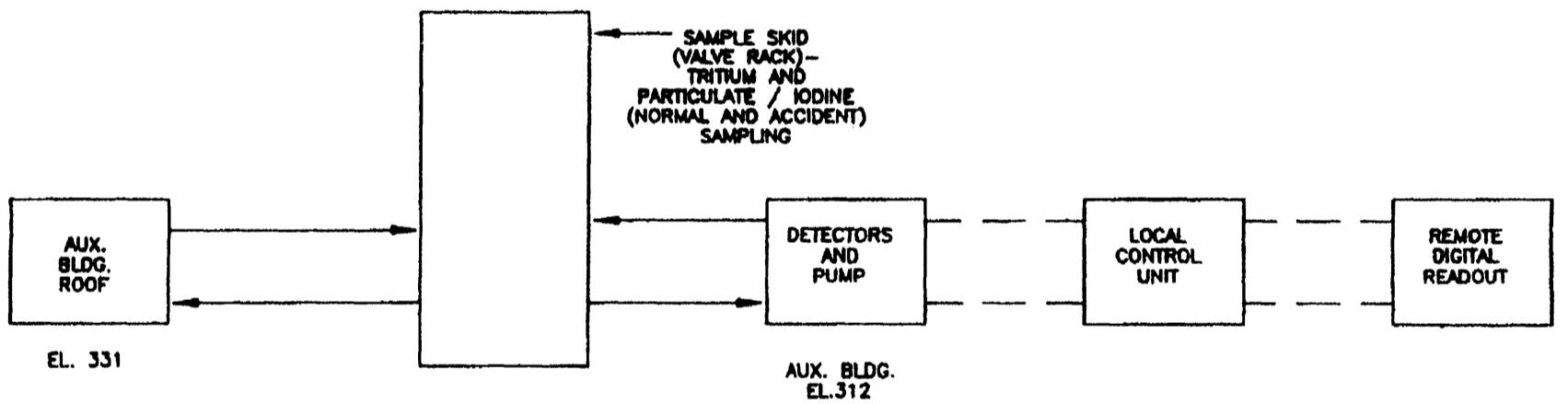
CONTROL ROOM RADIATION MONITORING PANEL



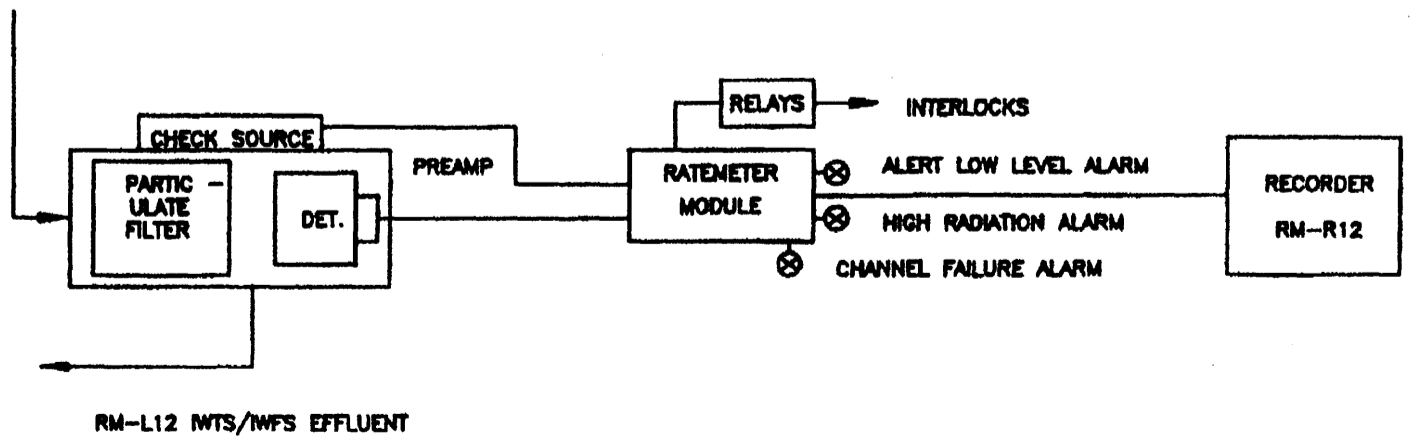
RM-A5G (HI) CONDENSER OFFGAS MONITOR
HI RANGE - TURBINE BUILDING ELEV. 322'



RM-A9G (HI) REACTOR BUILDING EXHAUST
MONITOR HI RANGE NEAR BWST



RM-A14 ESF VENT DISCHARGE
MONITOR



RM-L12 WTS/WFS EFFLUENT

CAD FILE: 5477R14.DWG

RADIATION MONITORING SYSTEM
BLOCK DIAGRAM

GPU
NUCLEAR

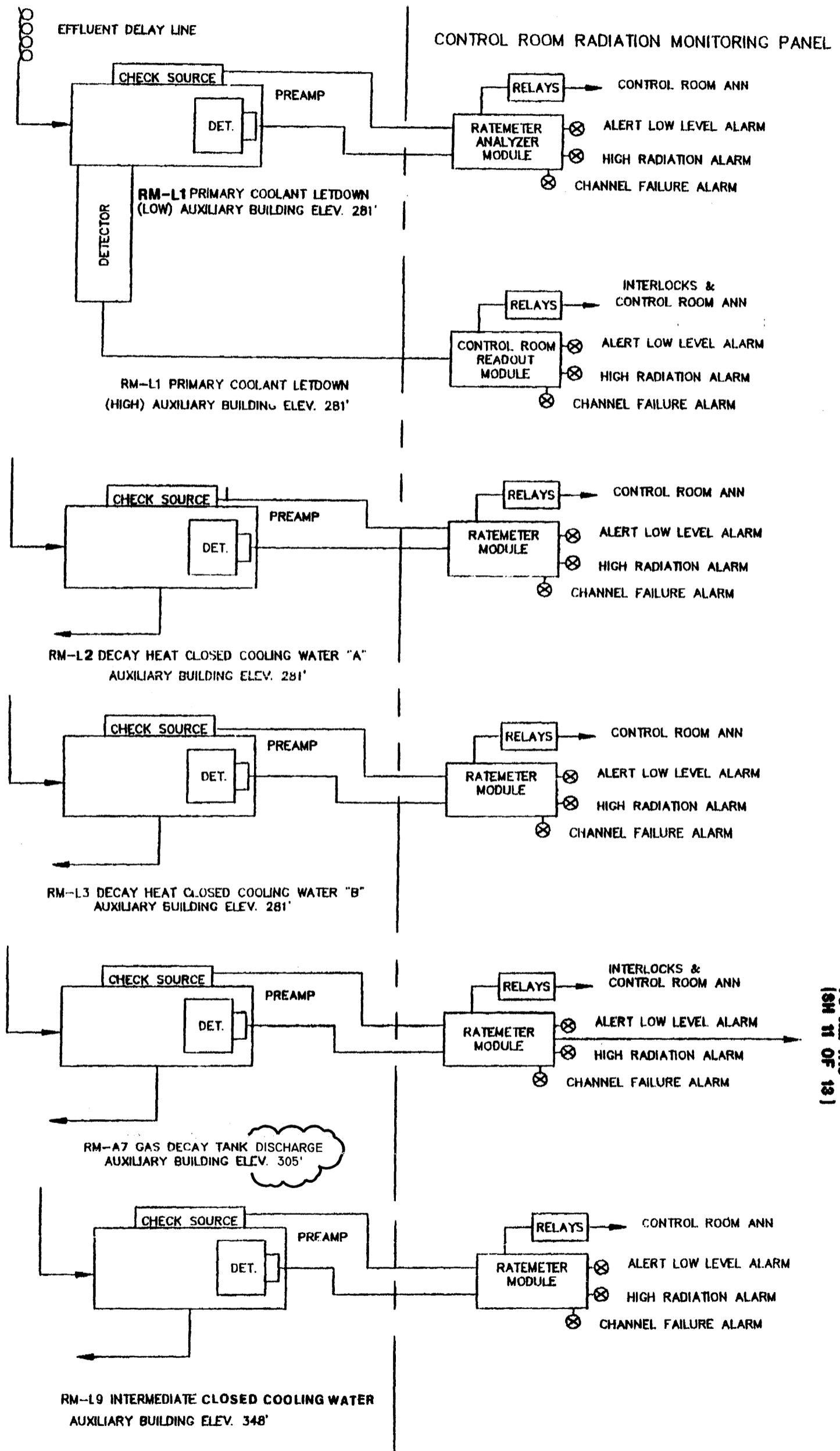
TMI - UNIT 1

UPDATE - 14
04/98

SHEET 7 OF 14

FIG 11.4-1

P. 11, FIG-21



GPU
NUCLEAR

TMI - UNIT 1

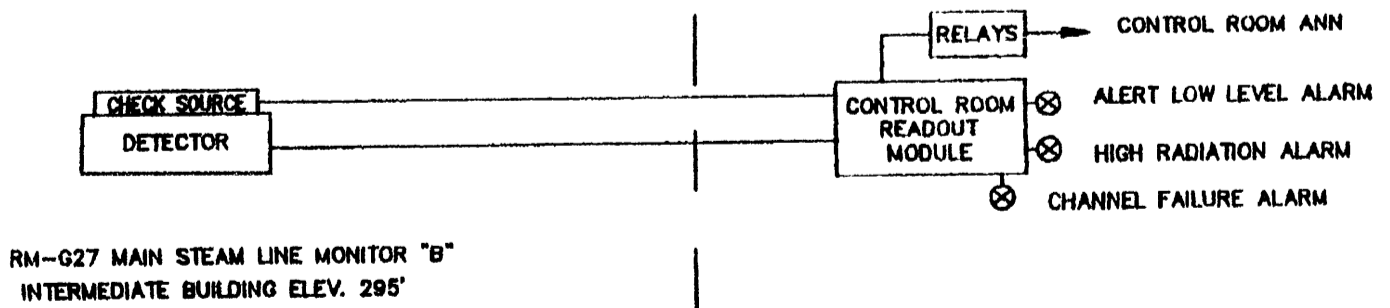
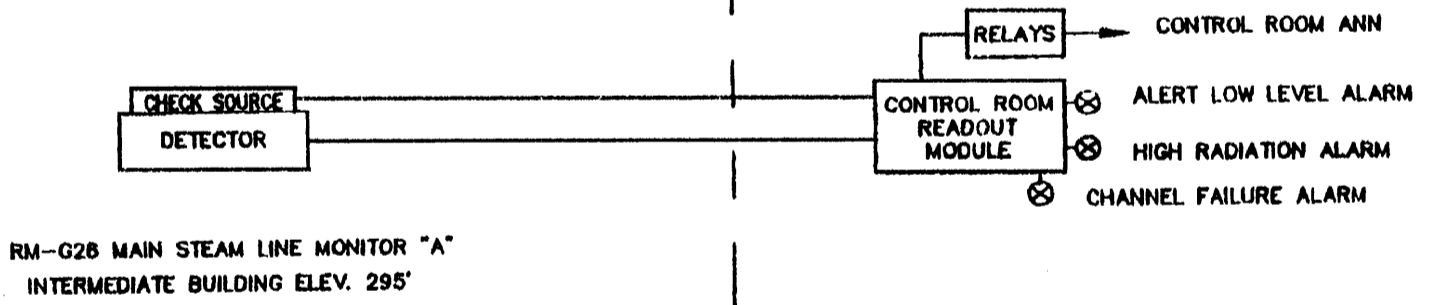
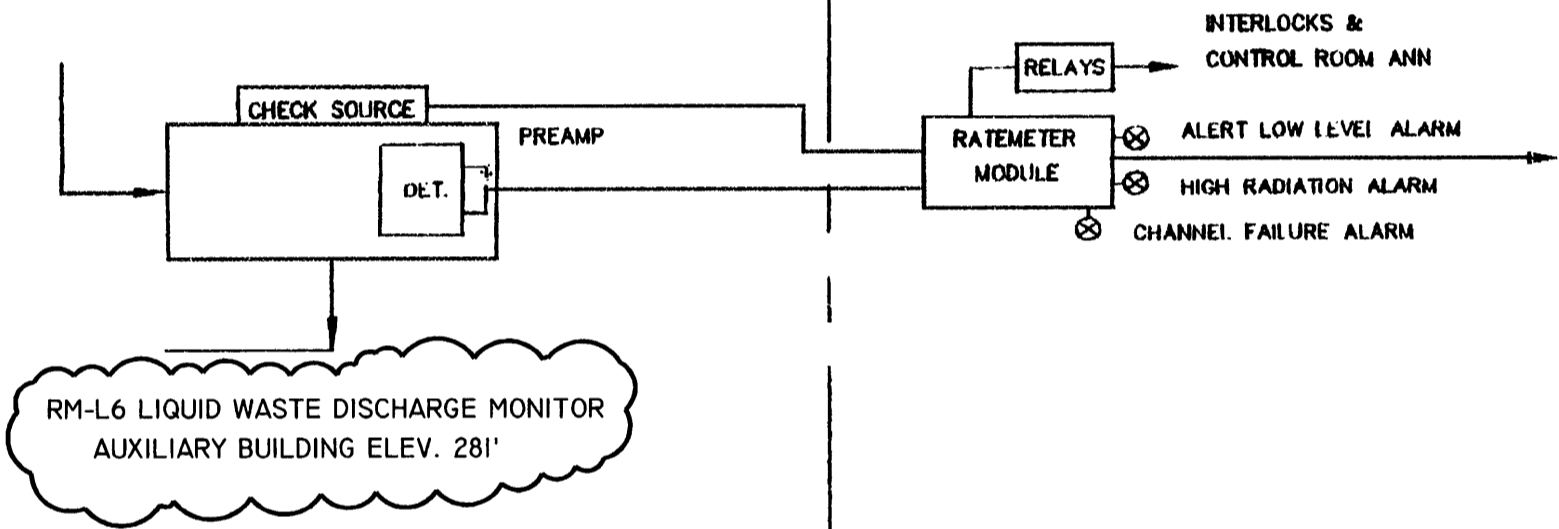
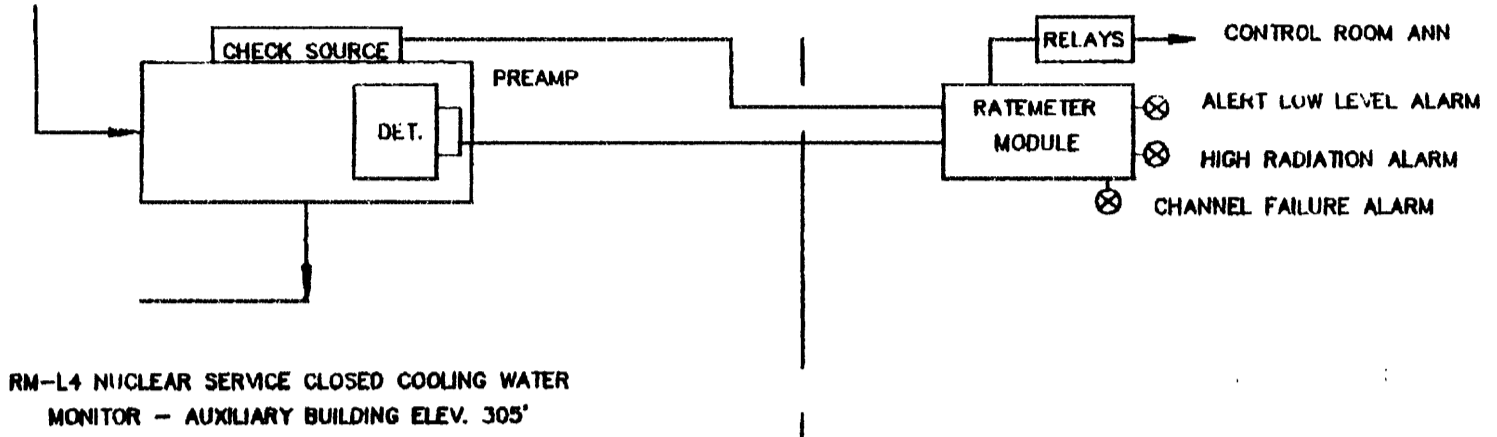
RADIATION MONITORING SYSTEM
BLOCK DIAGRAM

UPDATE - 14
04/98

SHEET 8 OF 14
FIG 11.4-1

CAD FILE: 5478R14.DWG

CONTROL ROOM RADIATION MONITORING PANEL



CAD FILE: 5479R14.DWG

RADIATION MONITORING SYSTEM
BLOCK DIAGRAM

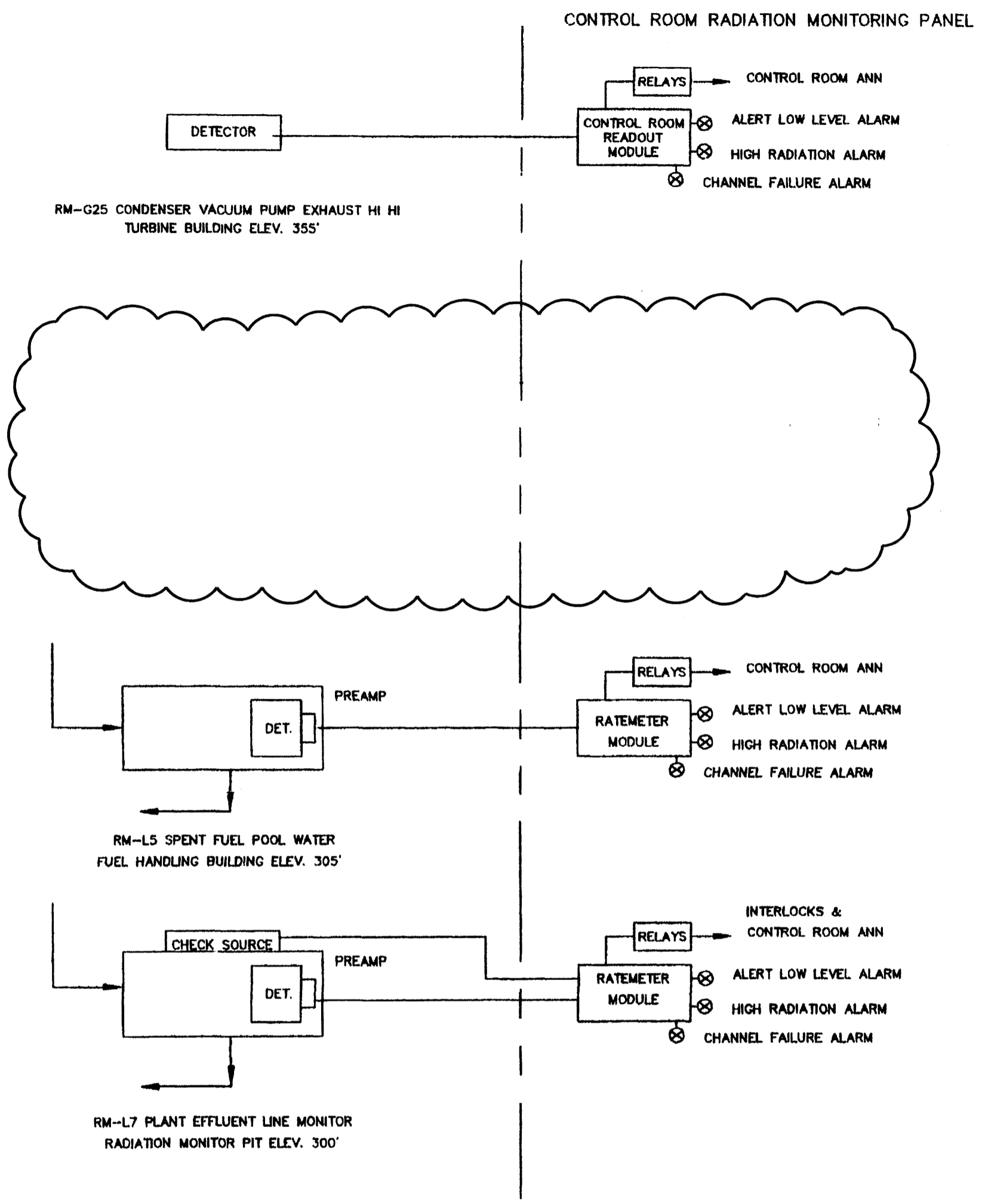
GPU
NUCLEAR

TMI - UNIT 1

UPDATE - 14
04/98

SHEET 9 OF 14
FIG 11.4-1

P. 11 FIG-23



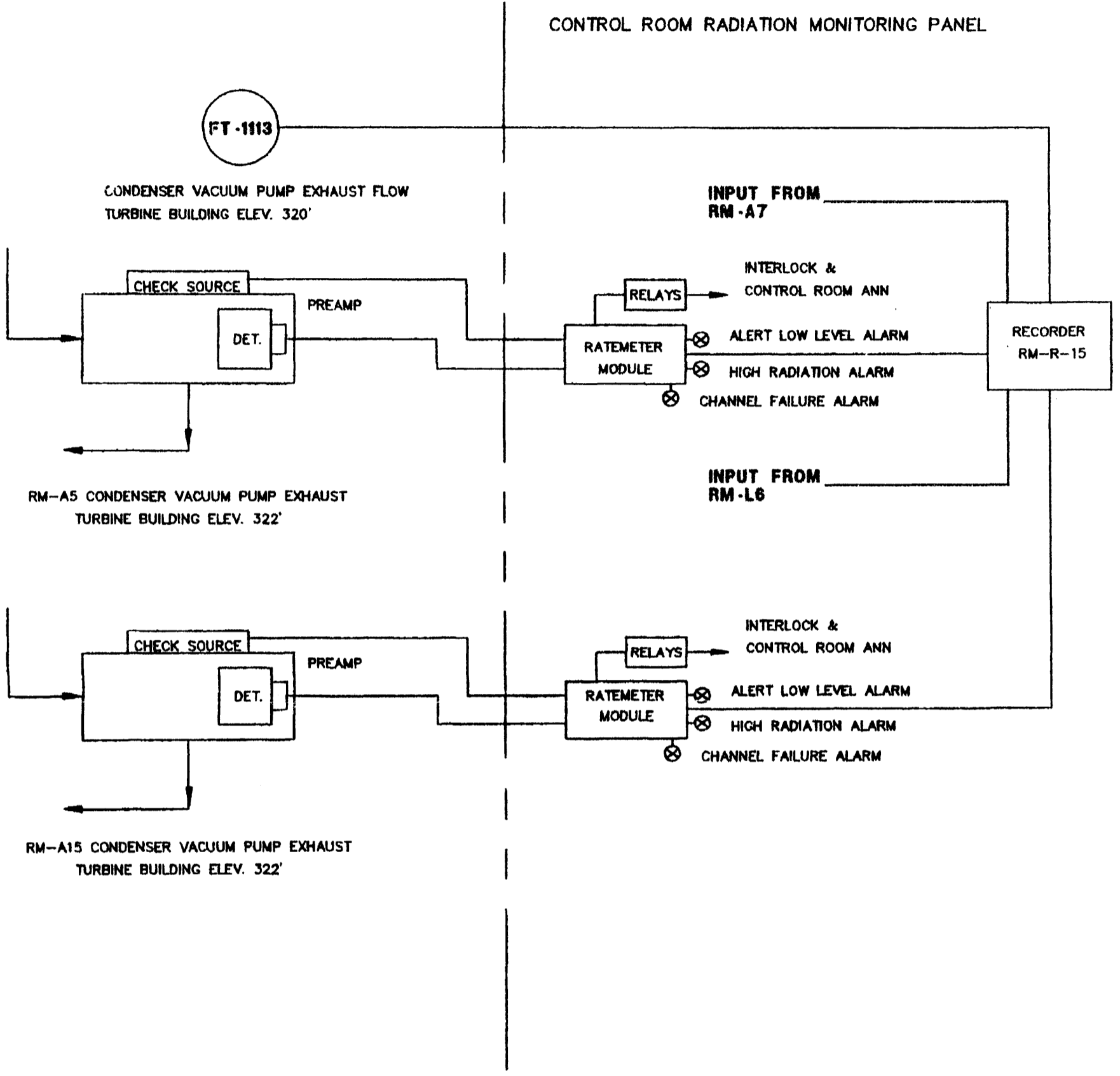
TM1 - UNIT 1
UPDATE - 14
04/98

GPU
NUCLEAR

RADIATION MONITORING SYSTEM
BLOCK DIAGRAM

SHEET 10 OF 14
FIG 11.4-1

CAD FILE: 5480R14.DWG



GPU
NUCLEAR

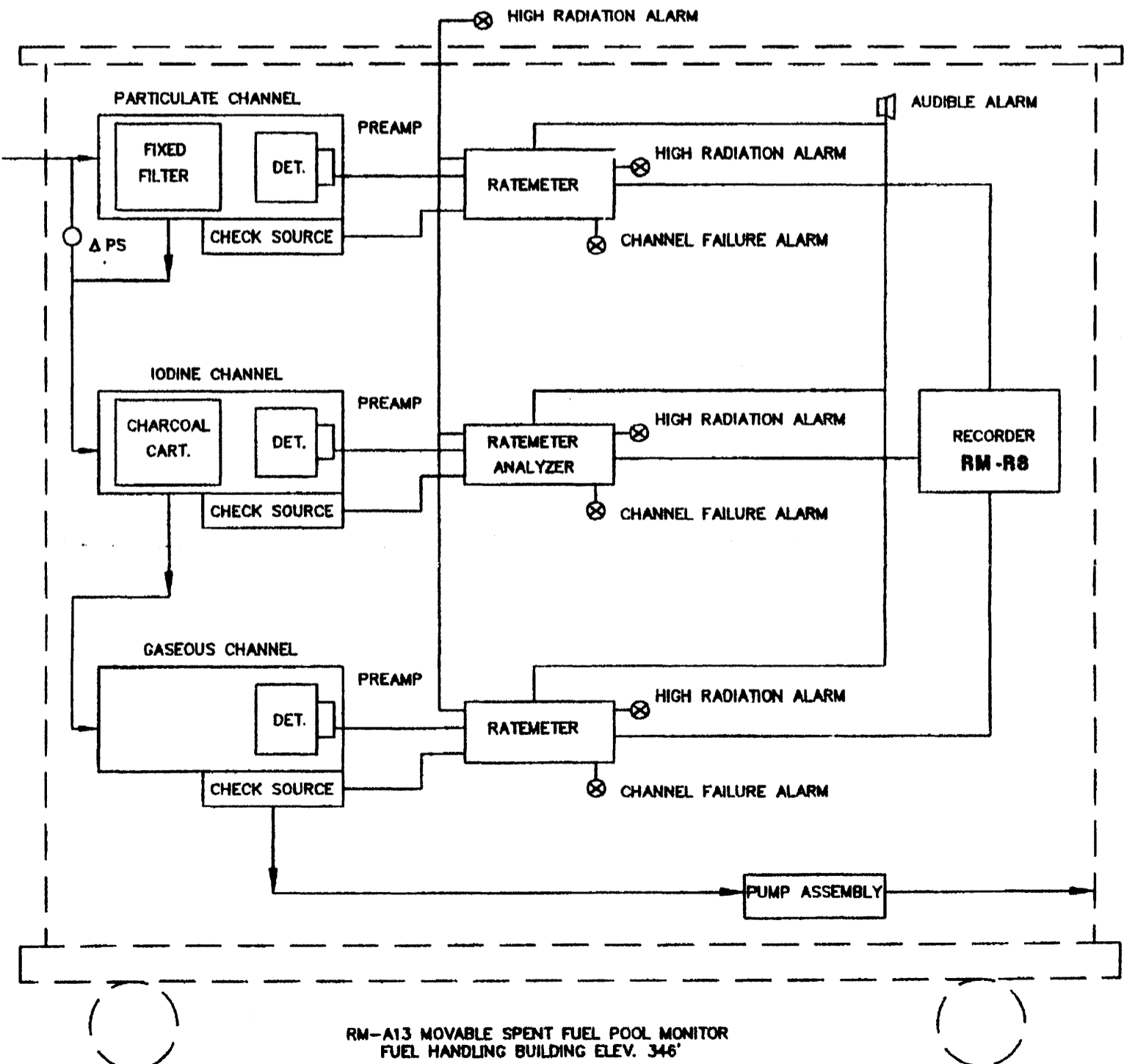
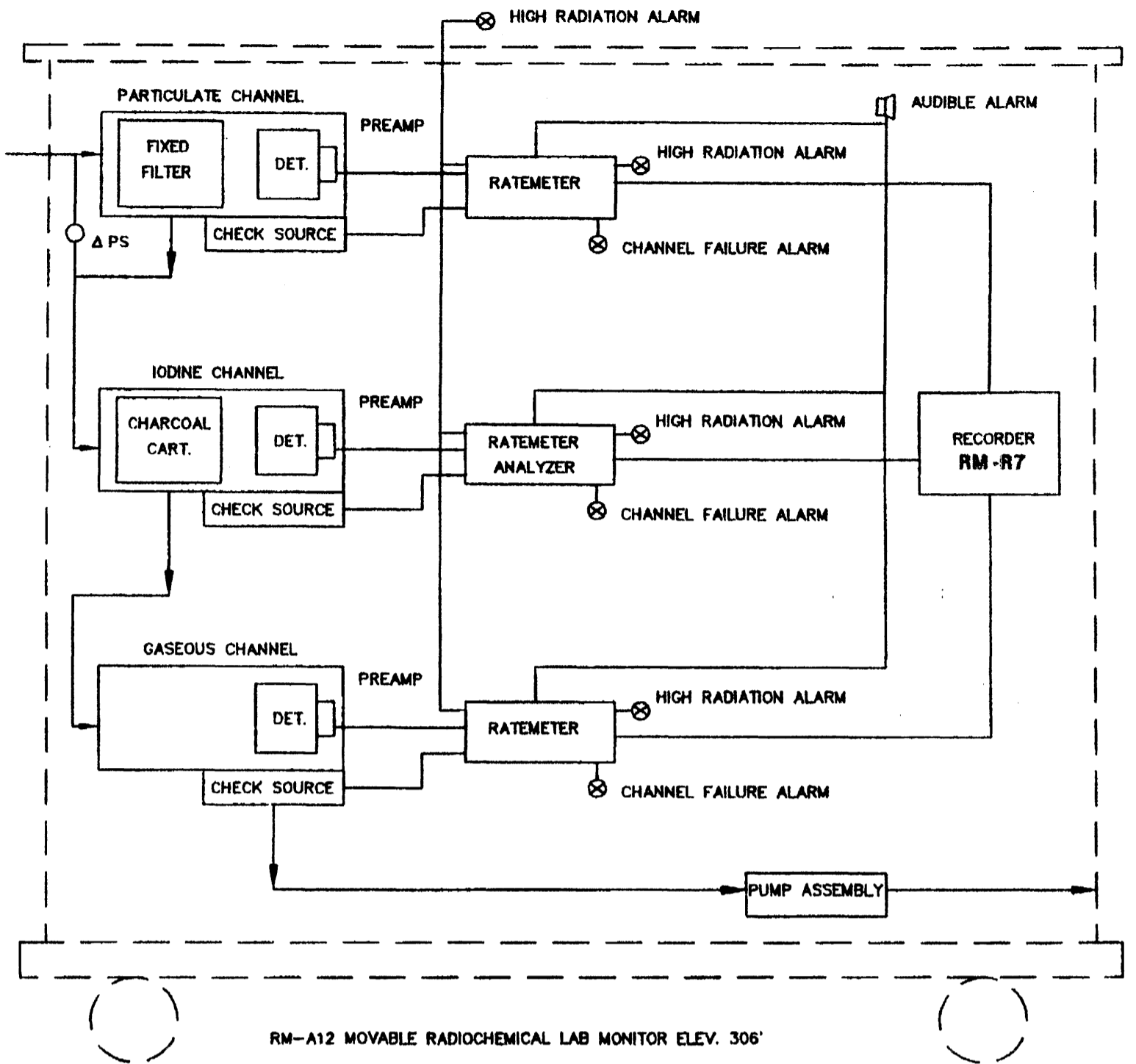
TMI - UNIT 1

RADIATION MONITORING SYSTEM
BLOCK DIAGRAM

CAD FILE: 548IR14.DWG

UPDATE - 14
04/98

SHEET 11 OF 14
FIG 11.4-1



GPU
NUCLEAR

TMI - UNIT 1

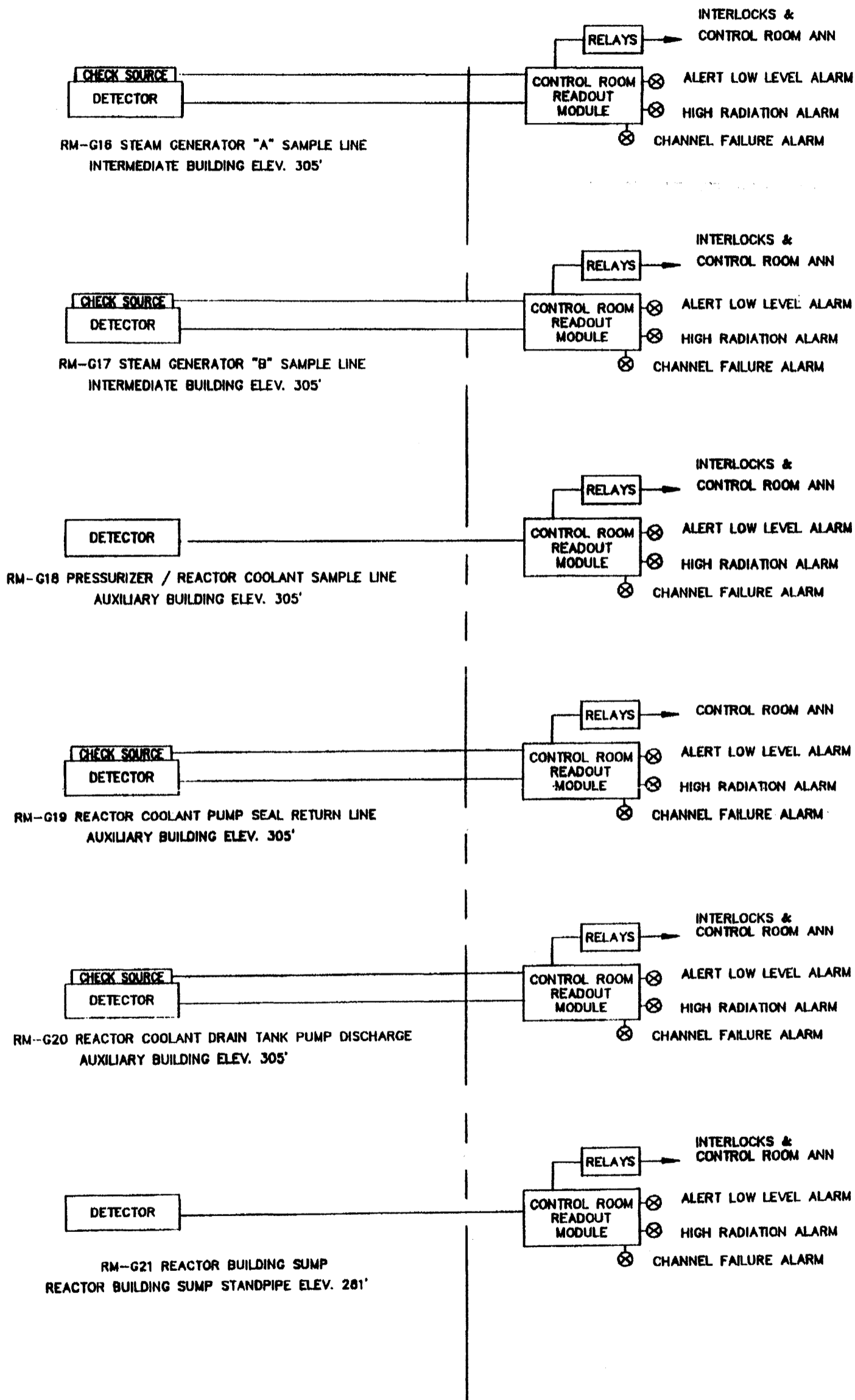
RADIATION MONITORING SYSTEM
BLOCK DIAGRAM

UPDATE - 14
04/98

SHEET 12 OF 14
FIG 11.4-1

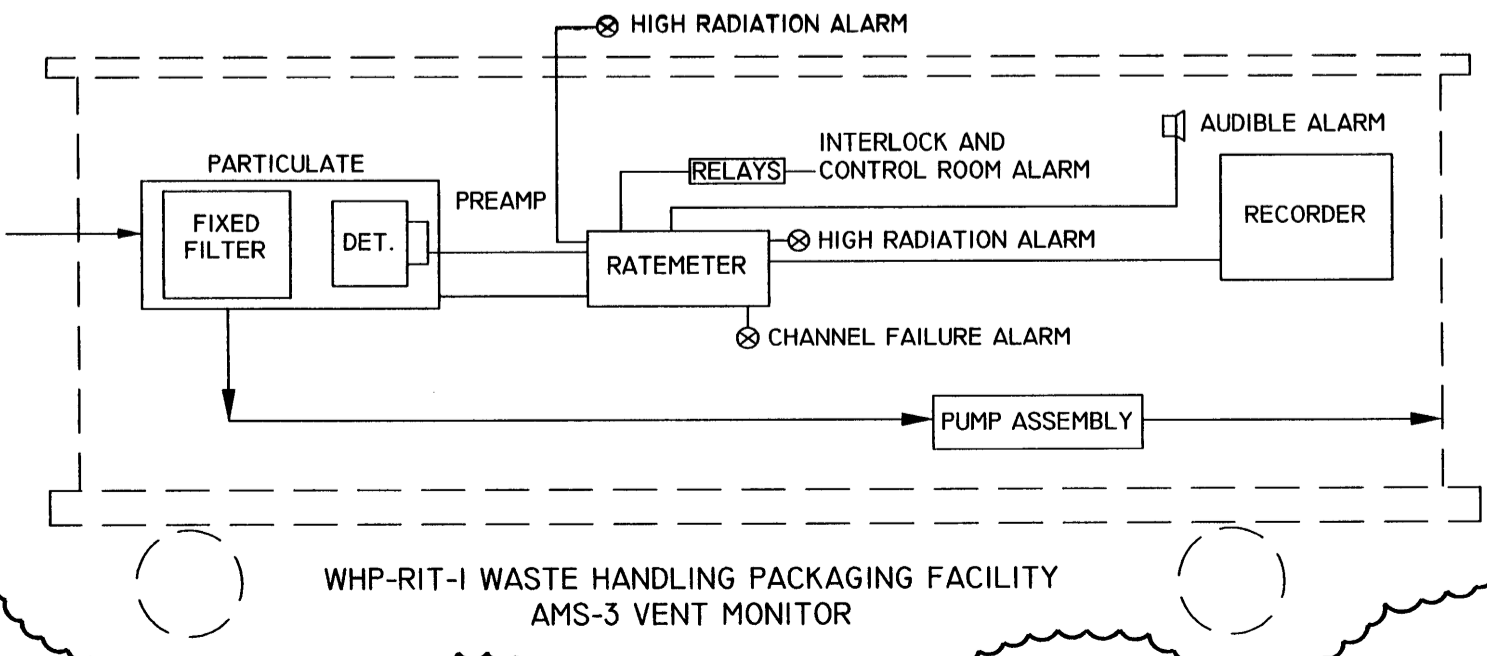
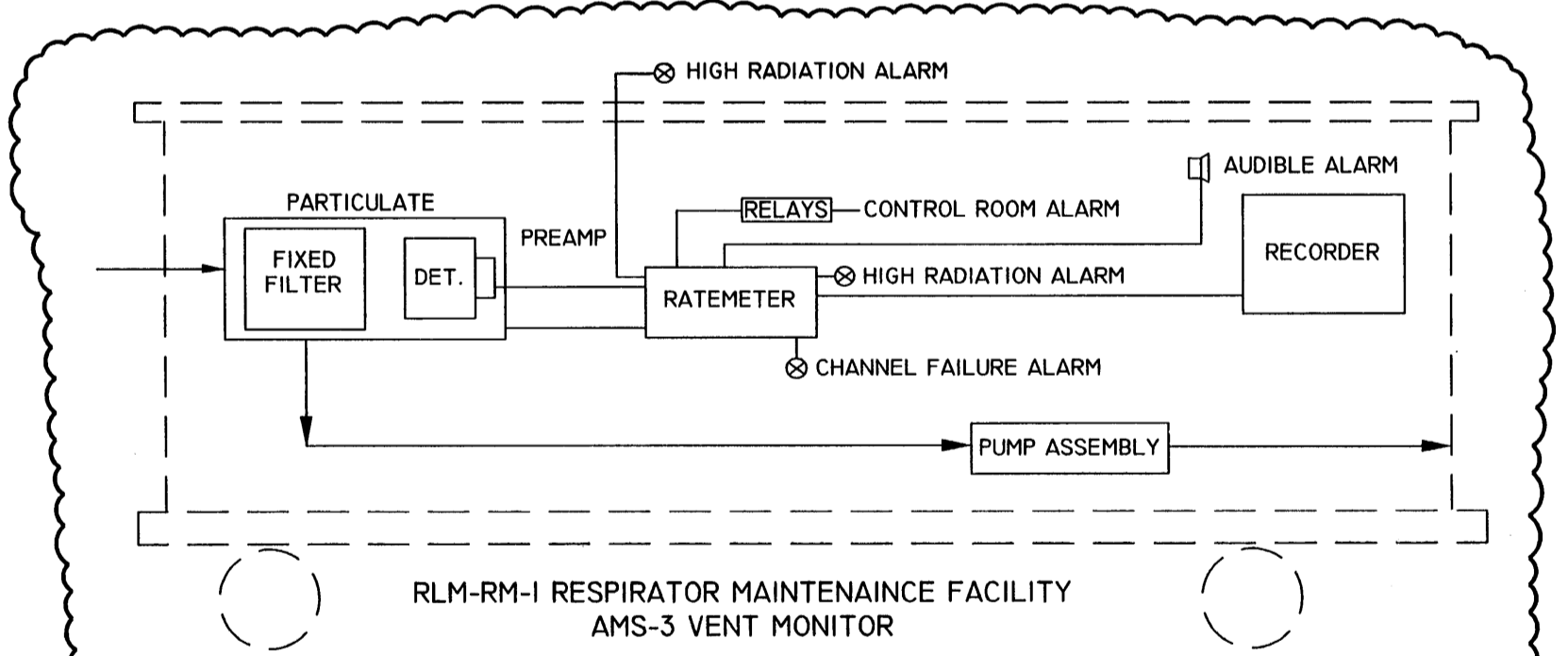
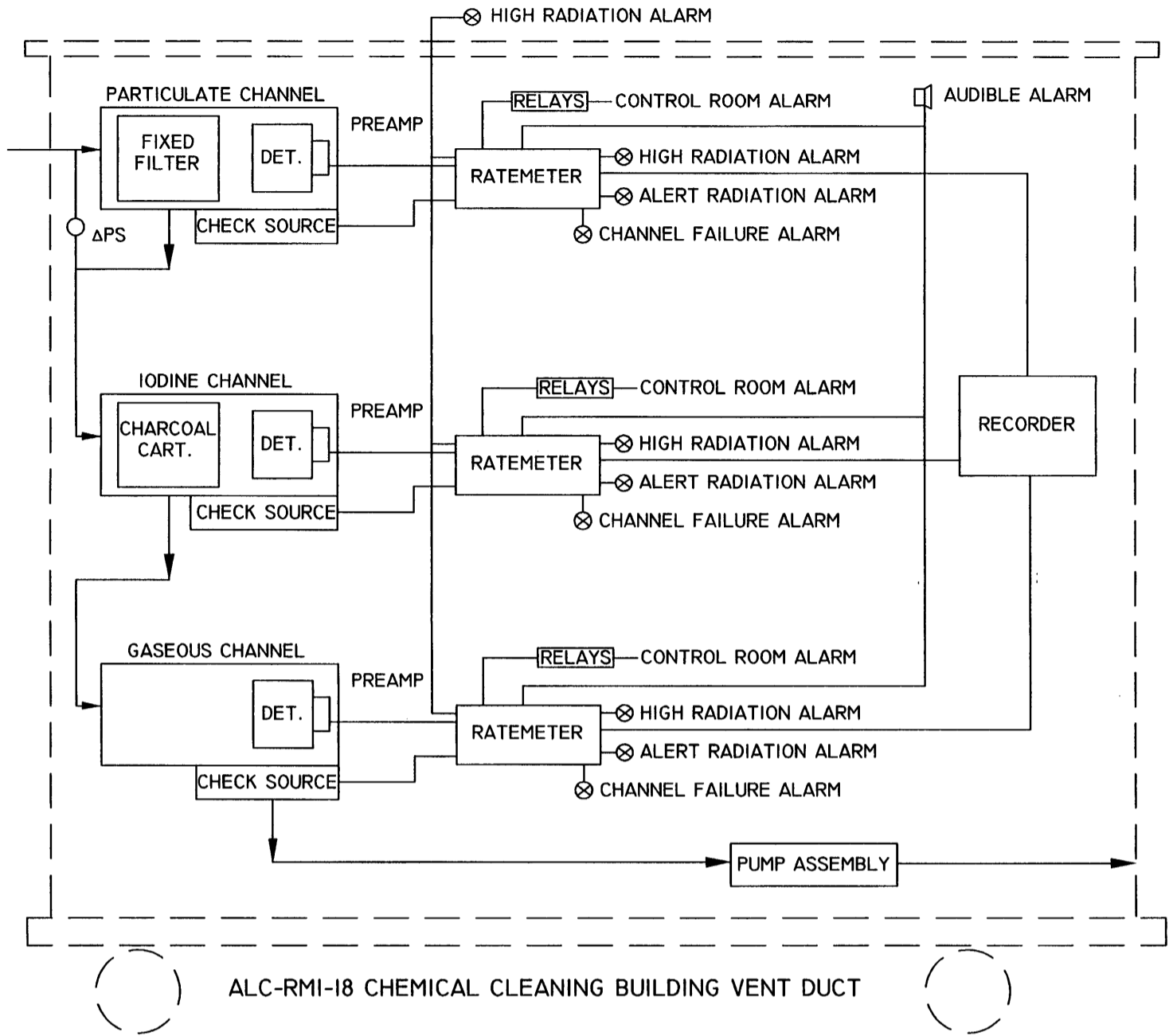
CAD FILE: 5482R14.DWG


CONTROL ROOM RADIATION MONITORING PANEL



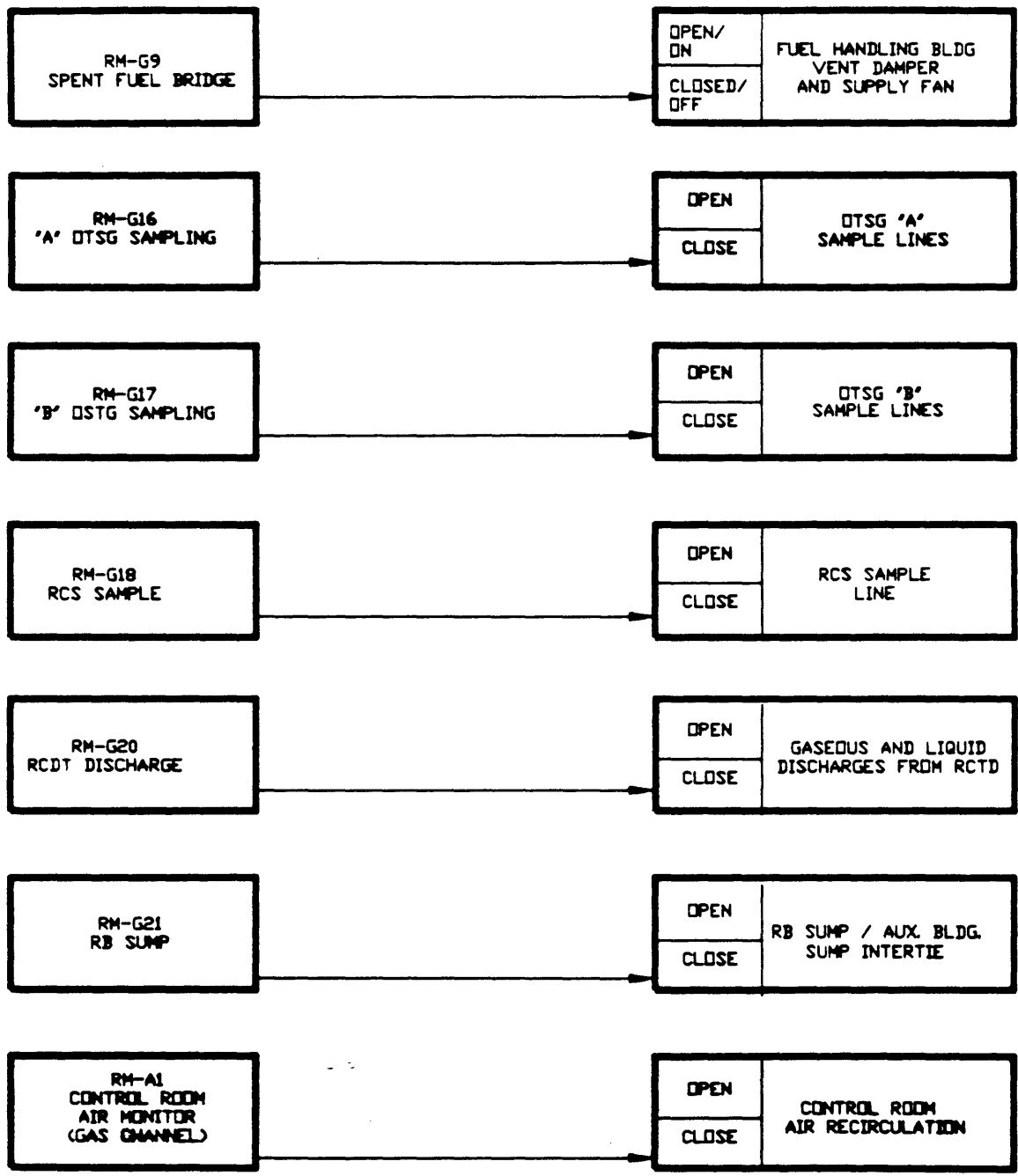
P. 11 FIG-26

<p>CAD FILE: 5483RI4.DWG</p>	<p>RADIATION MONITORING SYSTEM BLOCK DIAGRAM</p>		TMI - UNIT 1
			UPDATE - 14 04/98
<p>SHEET 13 OF 14</p>		<p>FIG 11.4-1</p>	



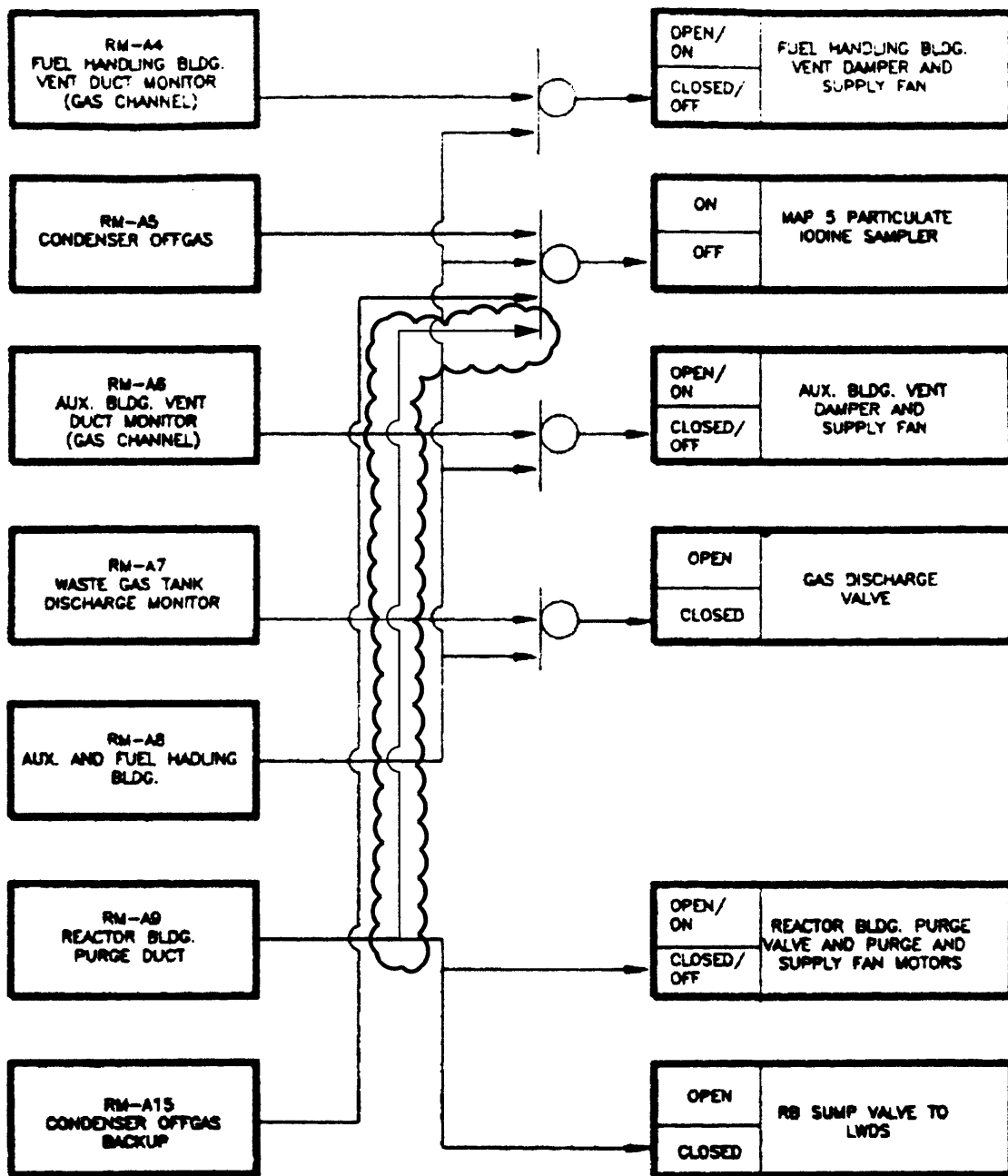


 TMI - UNIT 1
 RADIATION MONITORING SYSTEM
 BLOCK DIAGRAM
 CAD FILE: 6519RO.DWG
 SHEET 14 OF 14
 FIG 11.4-1
 UPDATE - 14
 04/98




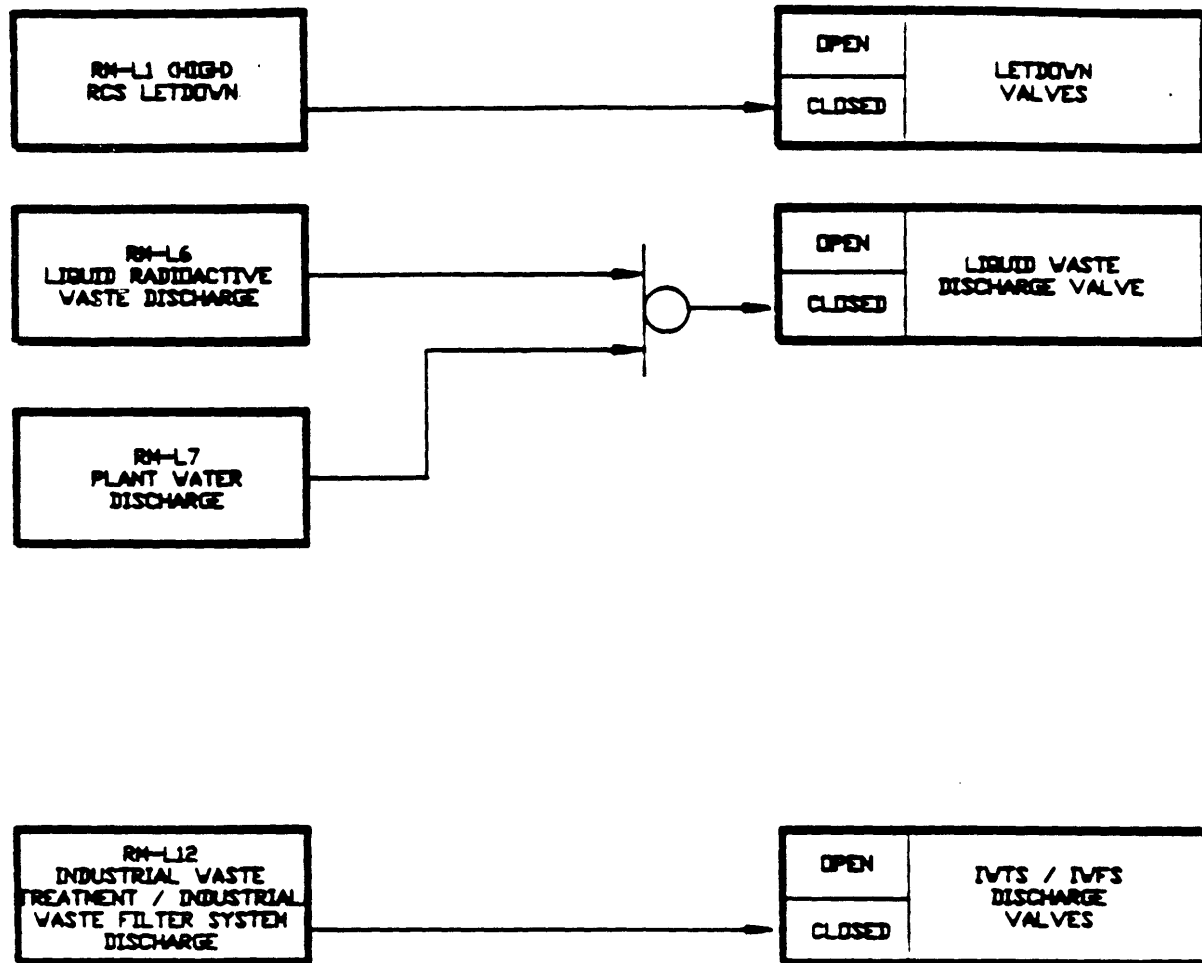
p.11. FIG-27 a

GPO Nuclear TMI Unit 1 Radiation Monitoring System Interlocks	Update - 8
	7/89
	Sheet 1 of 3
	Fig. 11.4-2



P. II.FIG-27B

	TMI - UNIT I	UPDATE - 14
		04/98
RADIATION MONITORING SYSTEM INTERLOCKS		
CAD FILE: 6518RI4.DWG		SHEET 2 OF 3
		FIG II.4-2



TMI UFSAR

Figure 11.5-1

Deleted