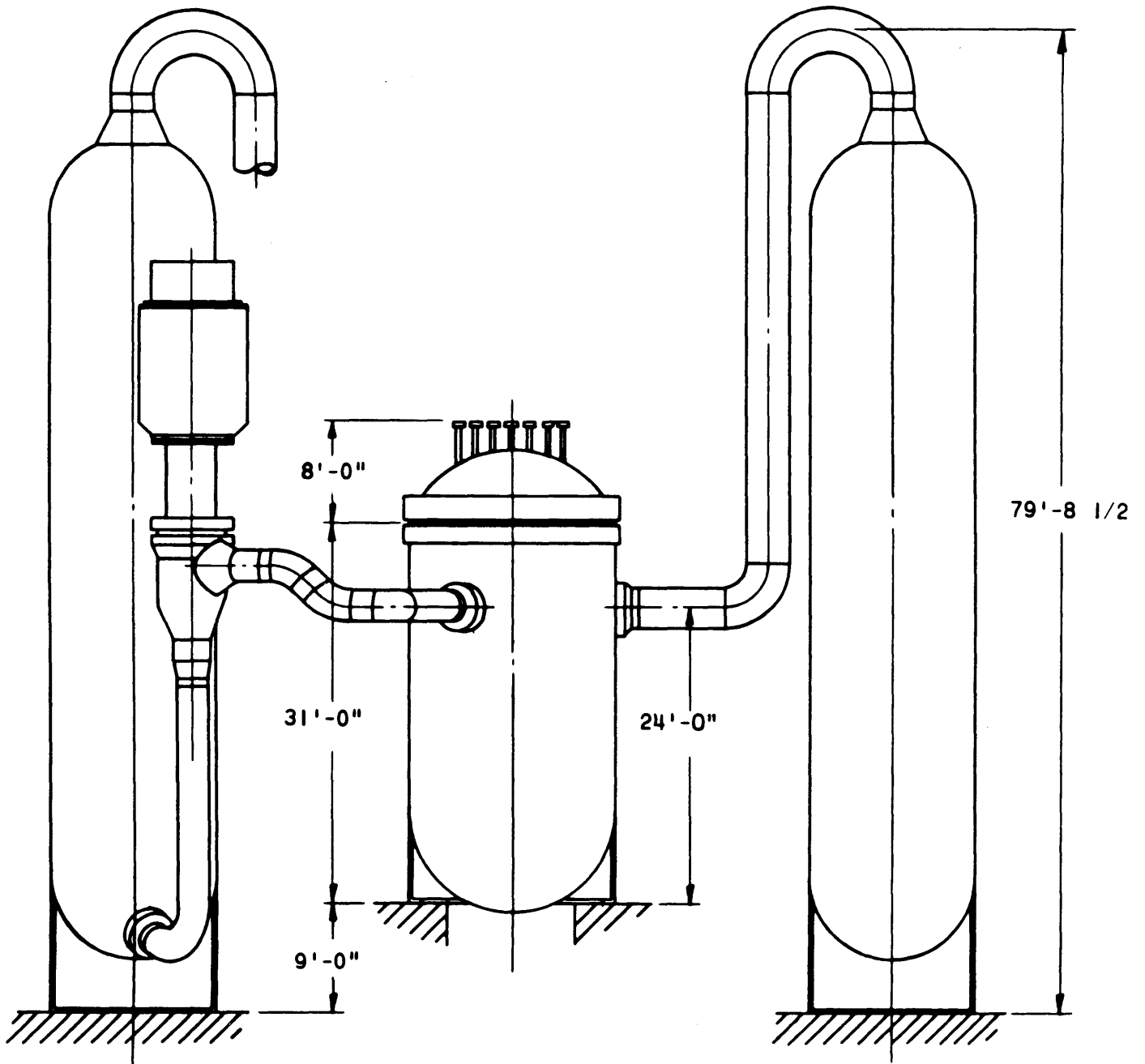


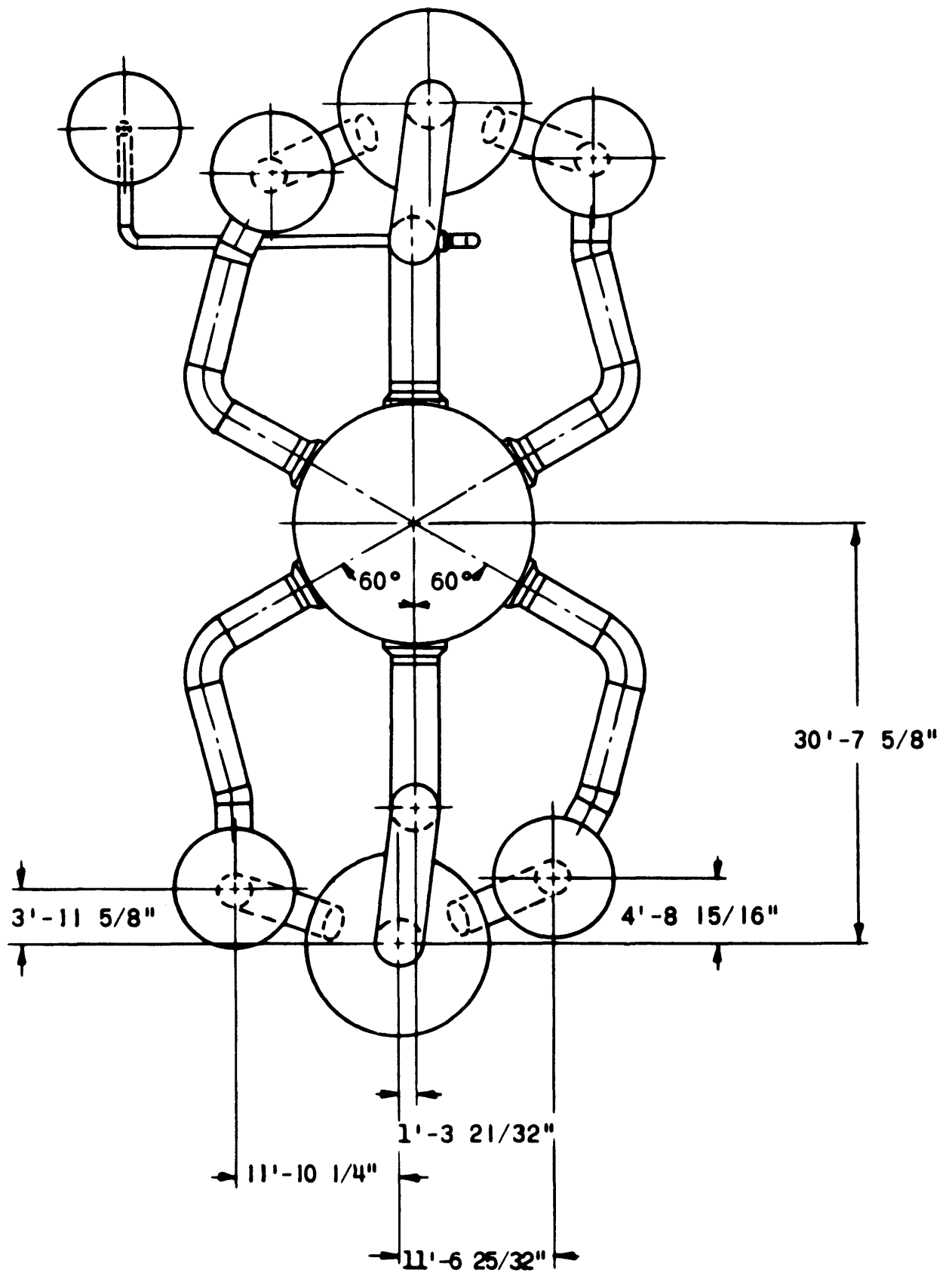
## TMI UFSAR

Figure 4.2-1


Deleted

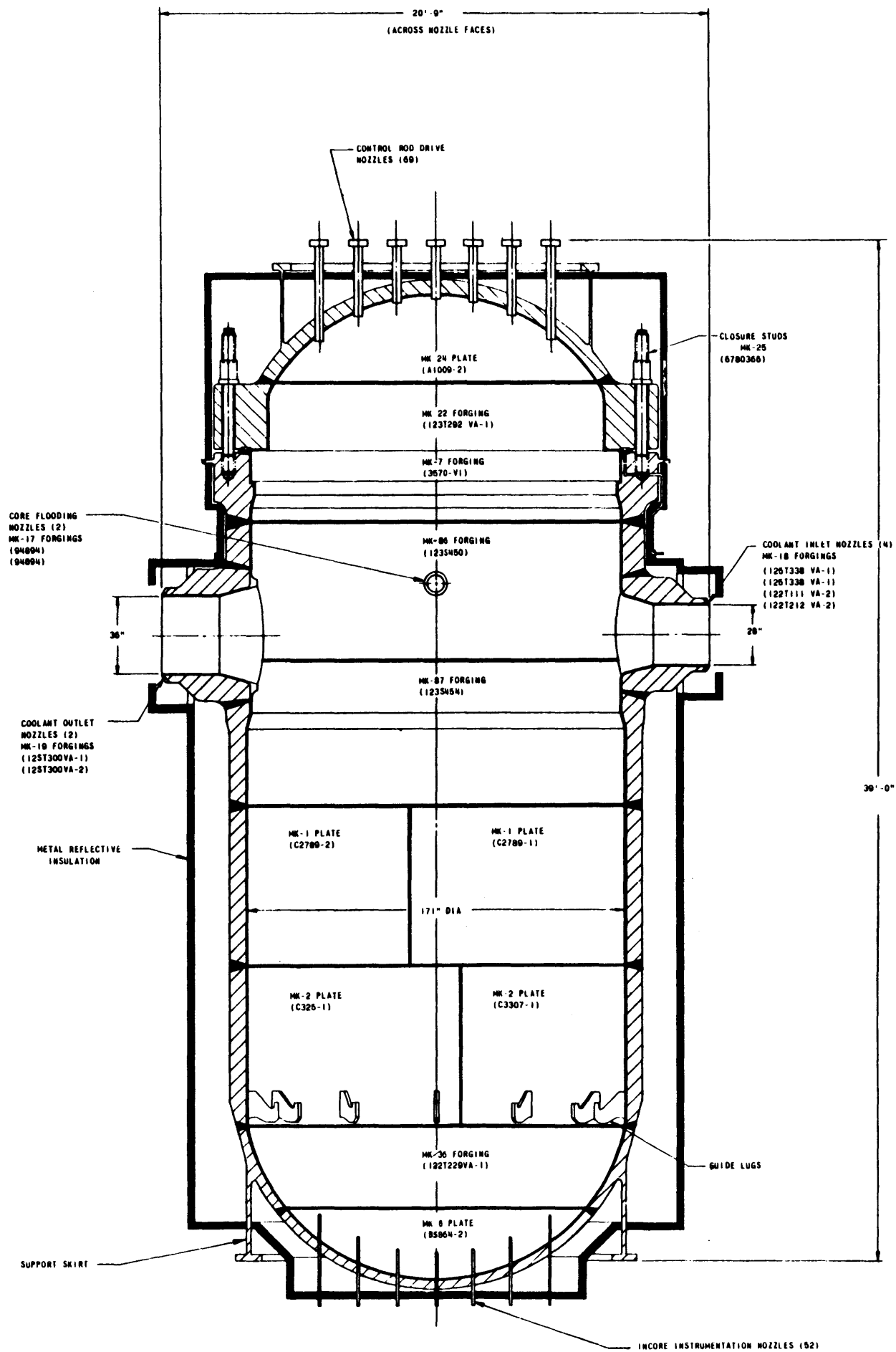


<b>GP Nuclear</b> <b>TMI Unit-1</b>	<b>Update - 1</b>
	<b>7/82</b>
<b>Reactor Coolant System Arrangement - Elevation</b>	
<b>Fig. 4.2-2</b>	



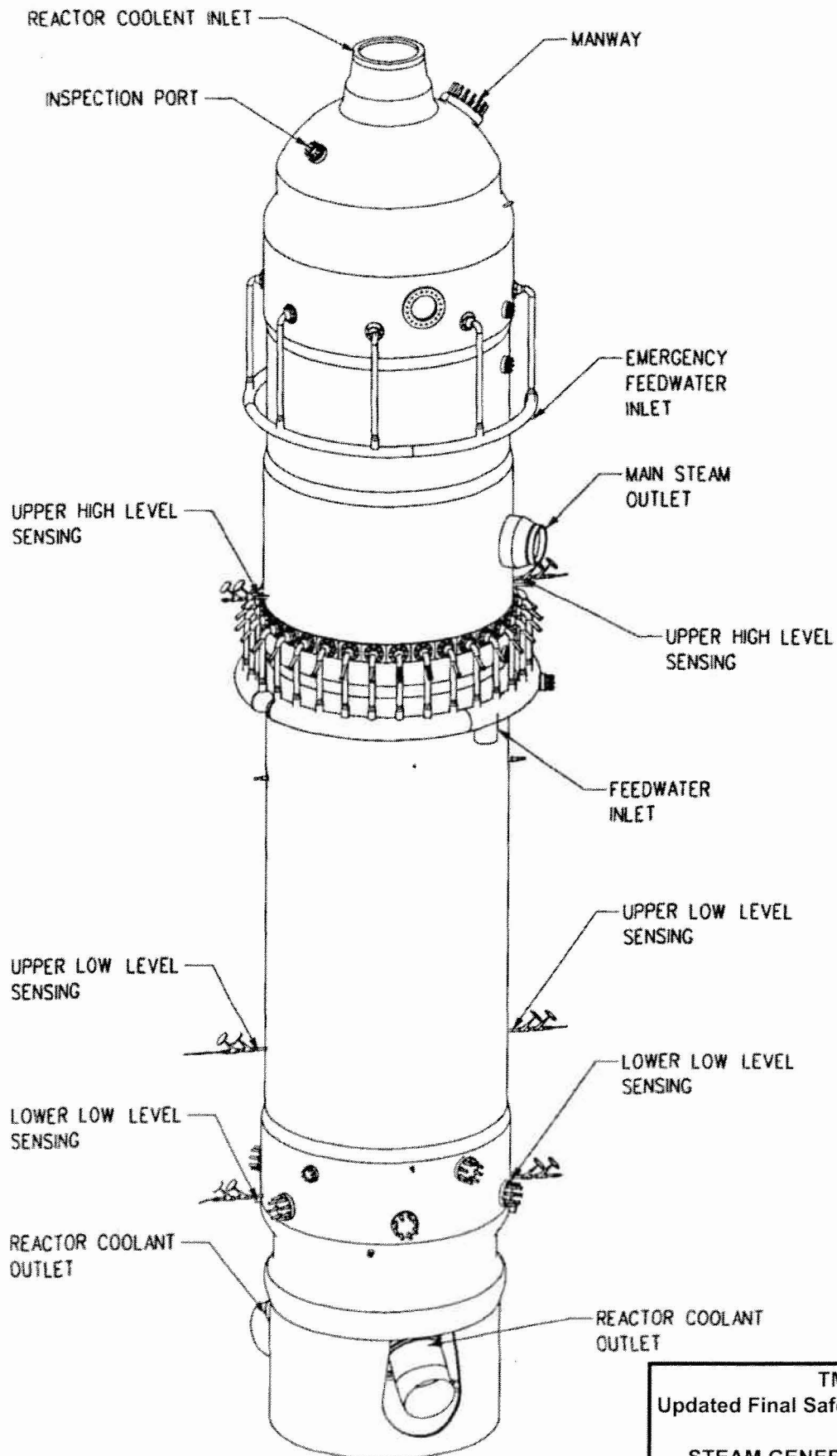
p. 4.FIG-3

 <b>Nuclear</b> <b>TMI Unit-1</b>	Update - 1
	7/82
	Reactor Coolant System Arrangement - Plan
Fig. 4.2-3	



p. 4.FIG-4

<b>GPU Nuclear</b> <b>TMI Unit-1</b> <b>Reactor Vessel Outline</b>	<b>Update - 1</b>
	<b>7/82</b>
	<b>Fig. 4.2-4</b>

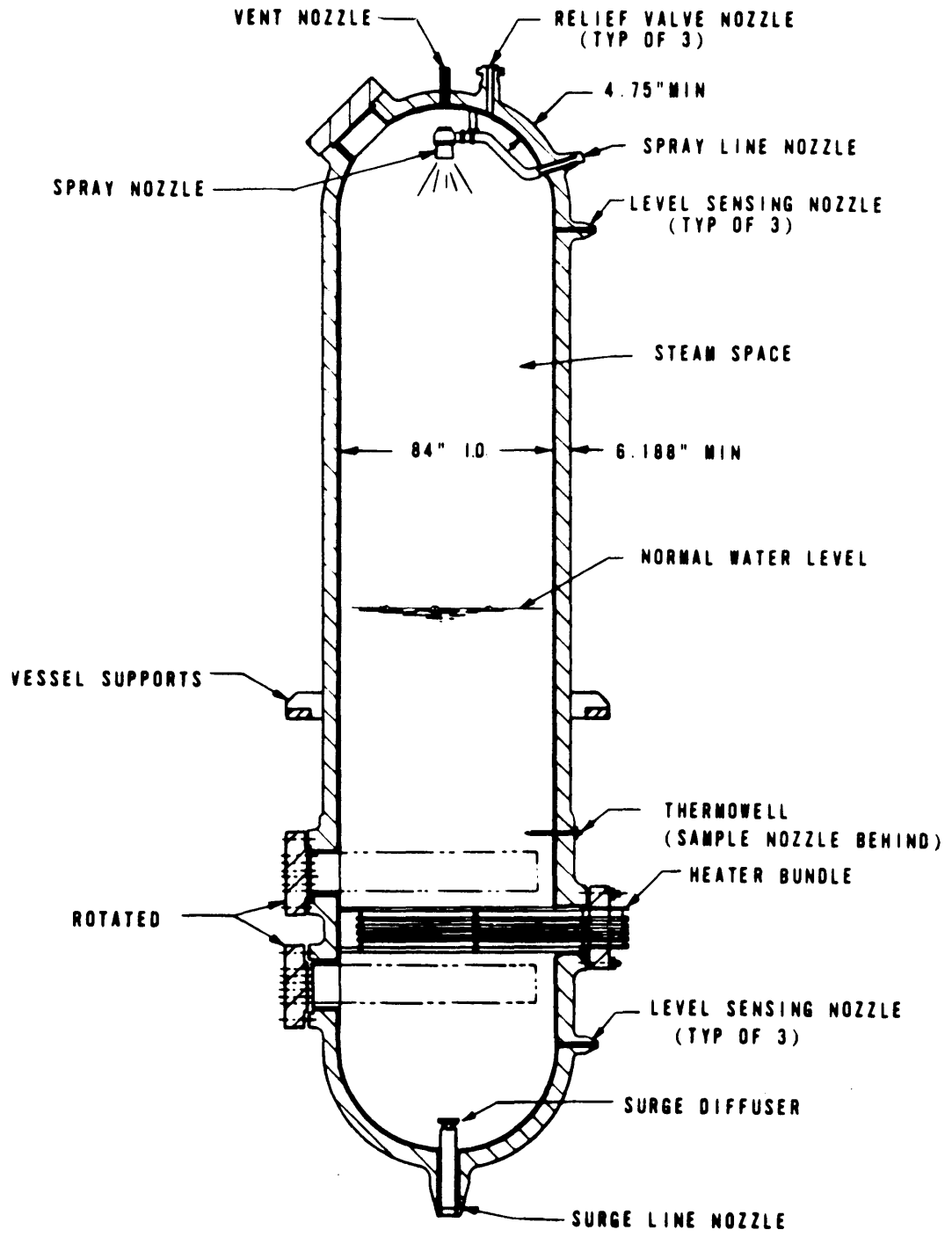


p. 4.FIG-5


TMI-1	
Updated Final Safety Analysis Report	
STEAM GENERATOR OUTLINE	
Figure 4.2-5	Rev. 20, 04/10

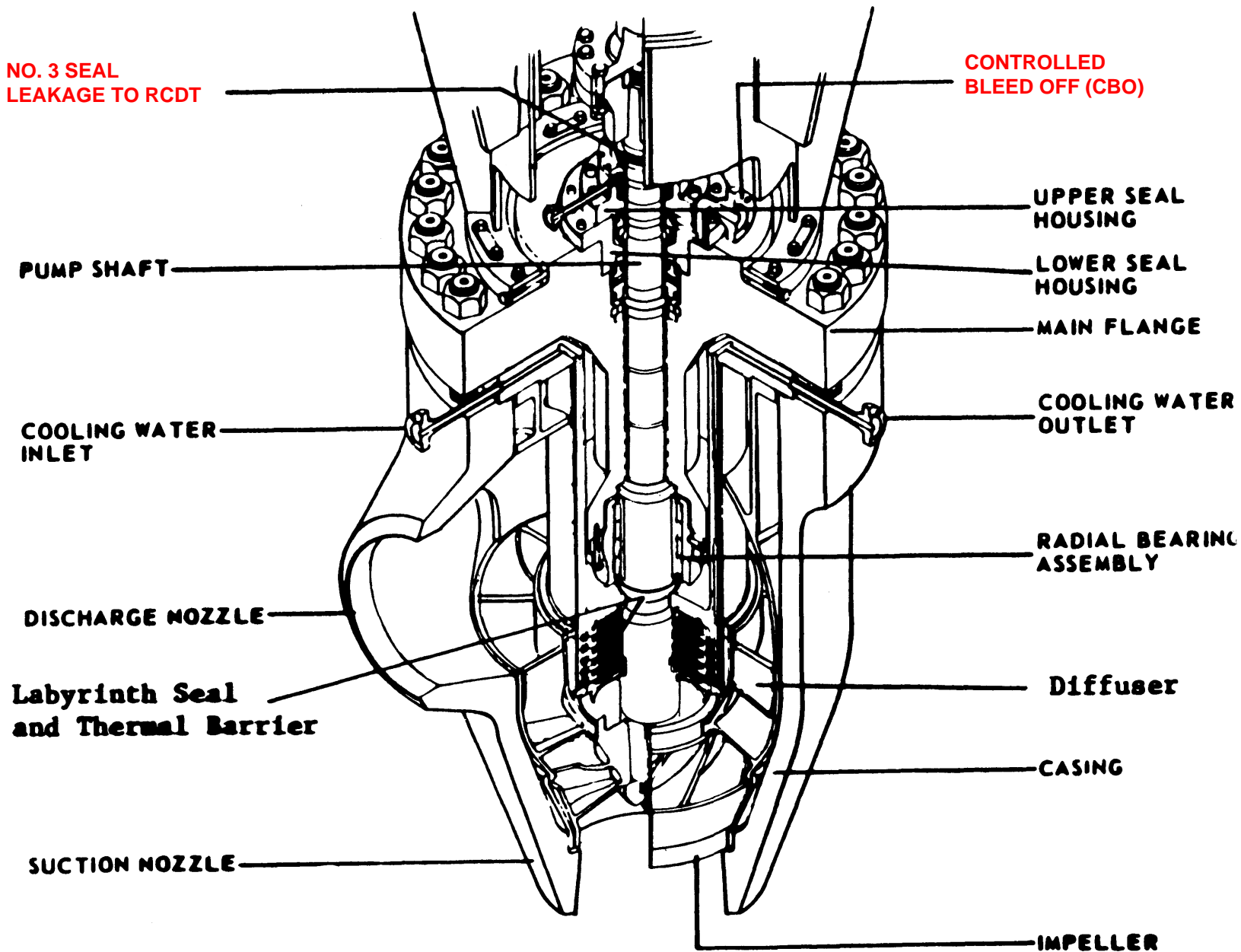
**Figure 4.2-6**

**Deleted**



p. 4.FIG-7

 <b>Nuclear</b> TMI Unit-1 Pressurizer Outline	Update -1
	7/82
Fig. 4.2-7	



p. 4.FIG-8

**GP Nuclear**

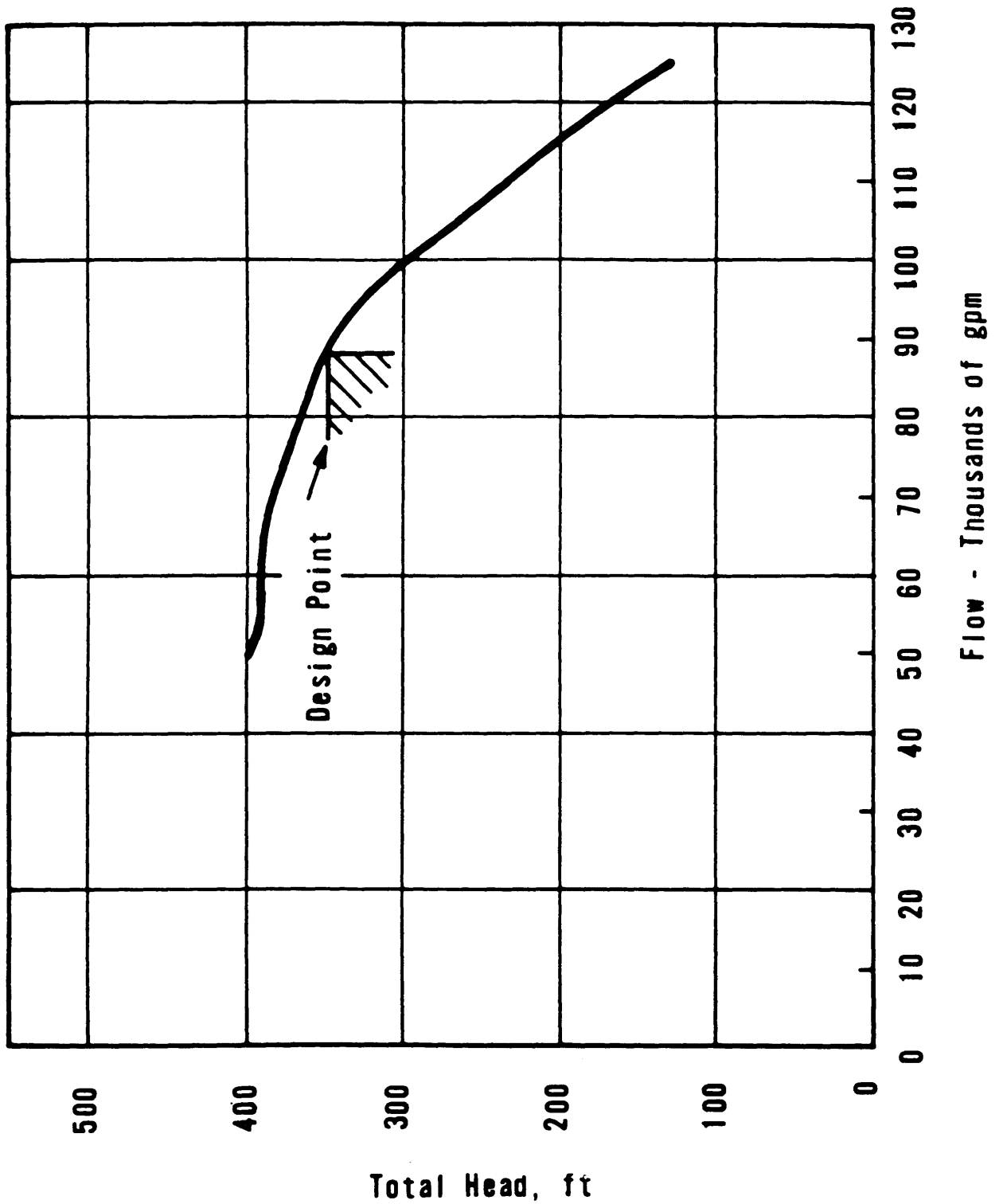
TMI Unit-1

Reactor Coolant Pump

REV. 23, 04/16

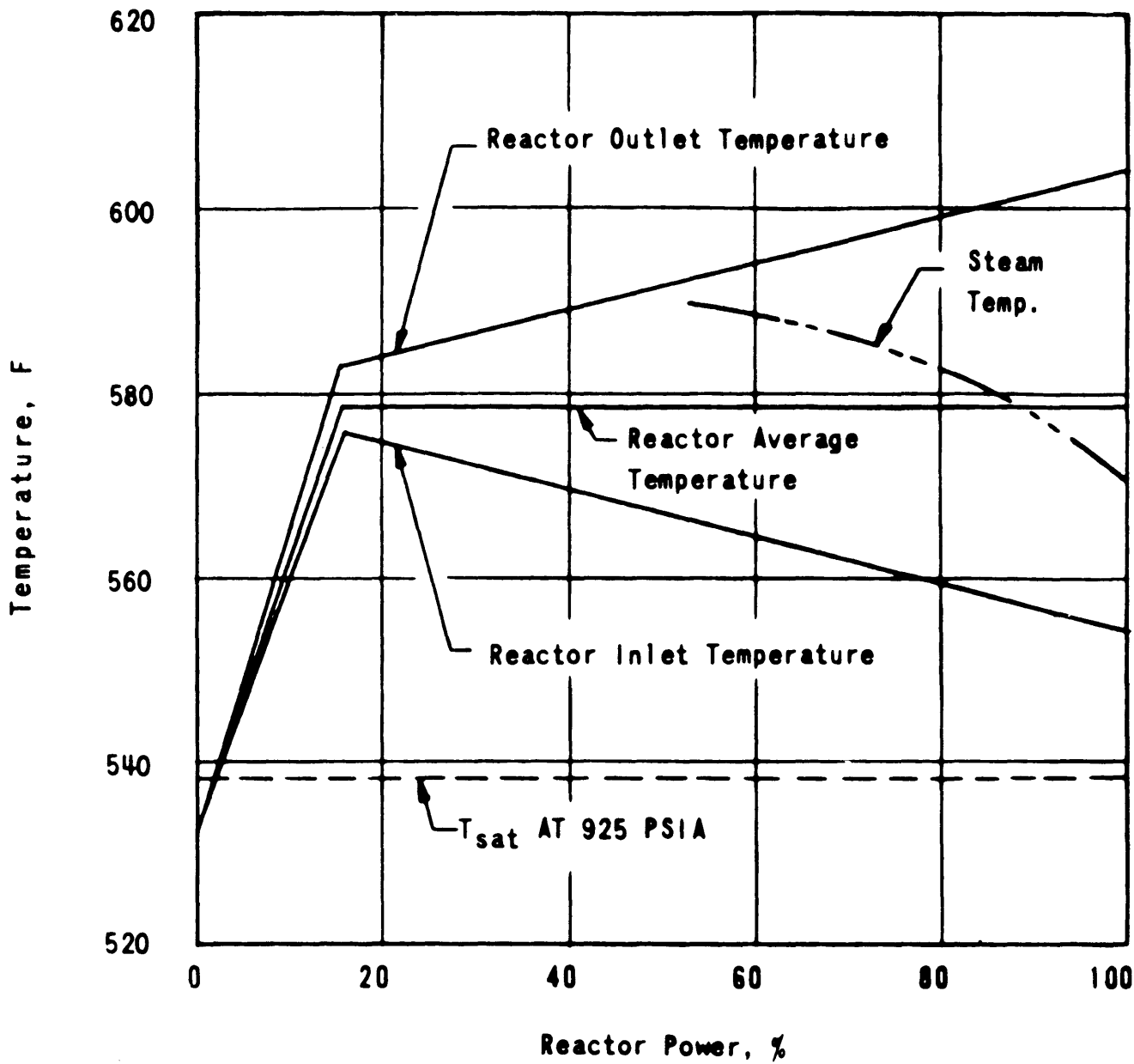
Fig. 4.2-8





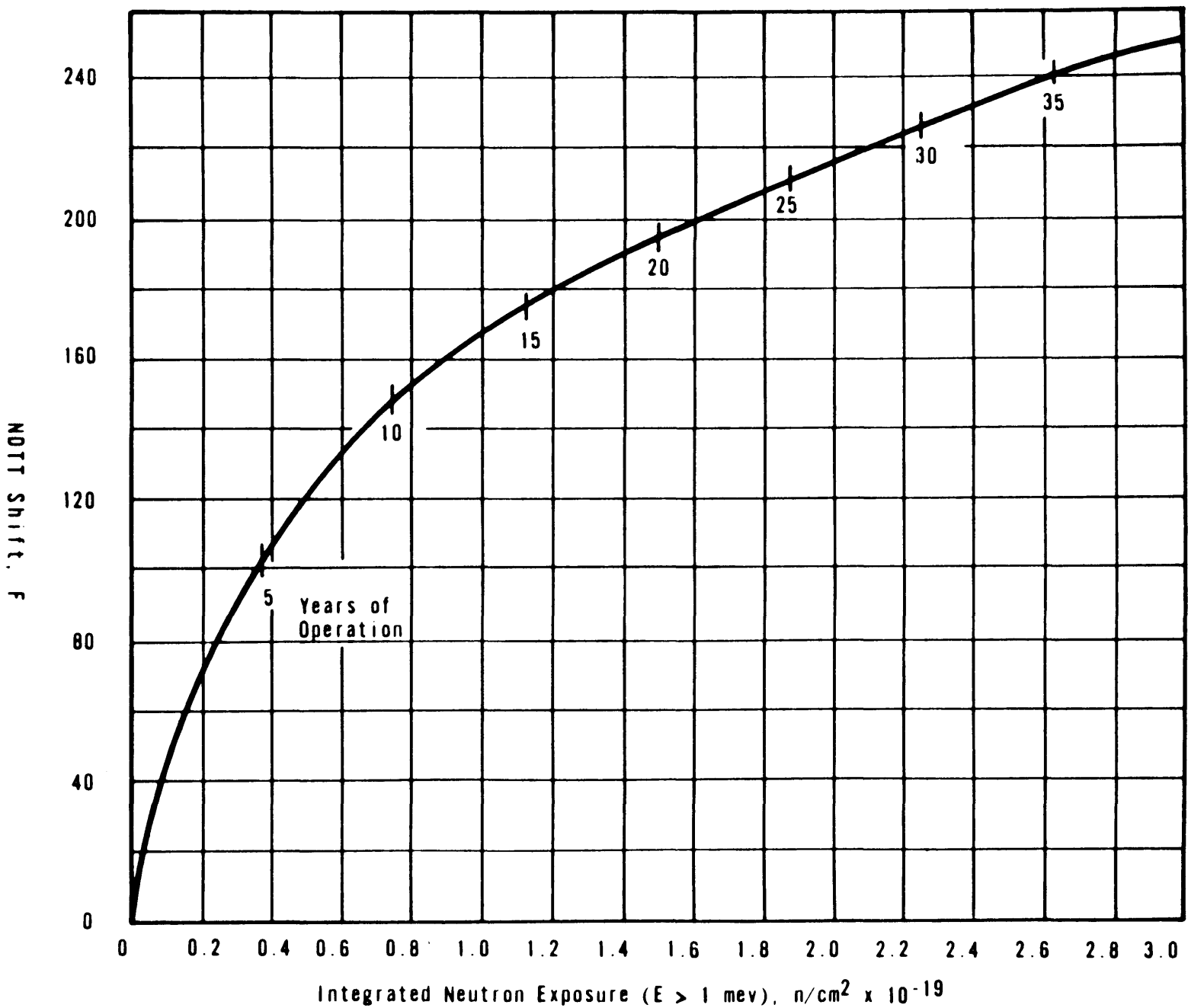
p. 4.FIG-9

<b>GPU Nuclear</b>	Update - 1
TMI Unit-1	7/82
Reactor Coolant Pumps Estimated Performance Characteristics	
Fig. 4.2-9	



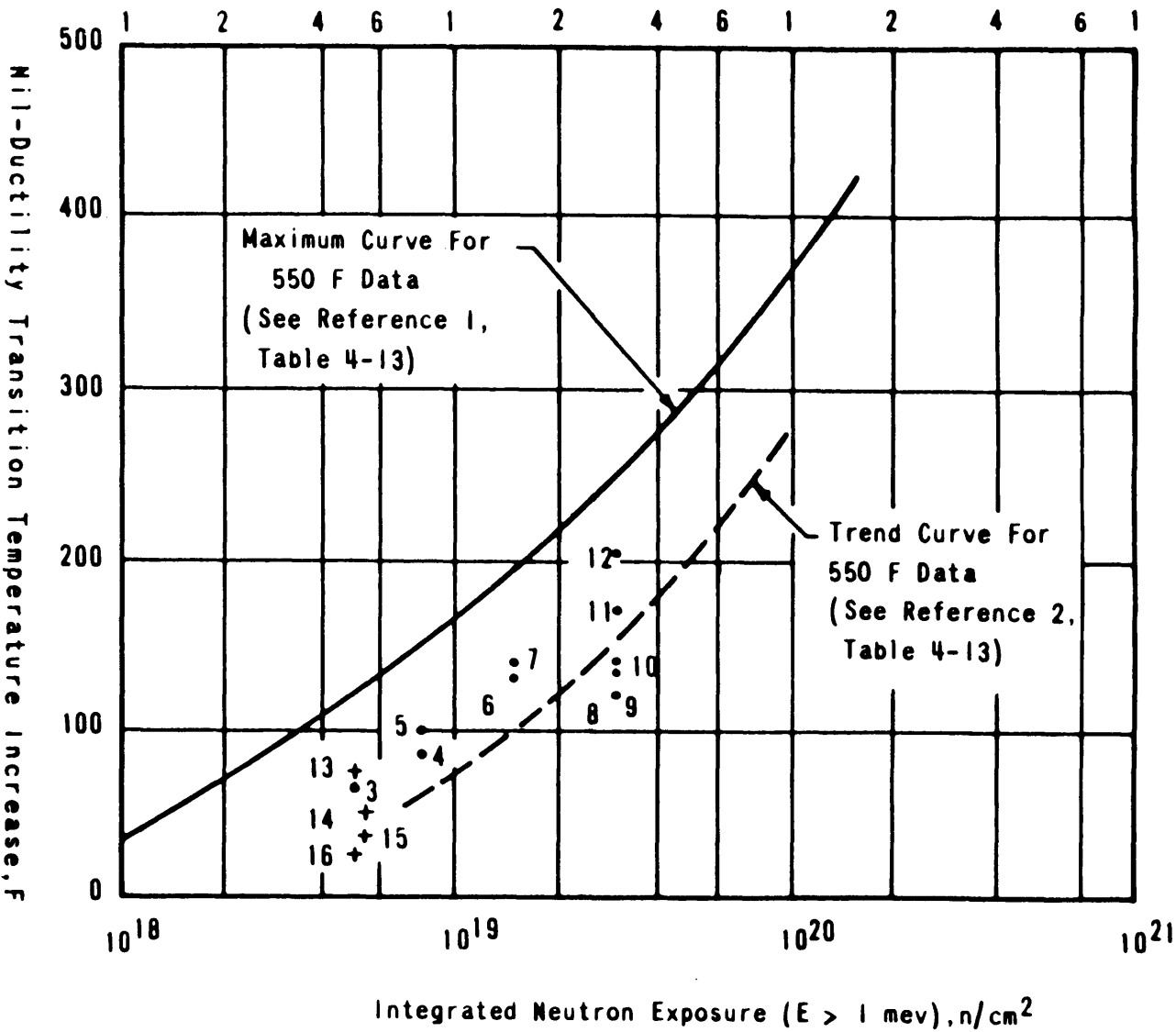
p. 4.FIG-10

<b>GPU Nuclear</b>	Update - 1
	TMI Unit-1
Systems Temperature Versus Load	
	7/82
	Fig. 4.2-10



p. 4.FIG-11

**GP Nuclear** Update - 1  
**TMI Unit-1** 7/82  
 Predicted NDTT Shift Versus Reactor Vessel  
 Irradiation  
 Fig. 4.3-1



NOTES:

1. All data is for 30 ft-lb "Fix"
2. Curve from ASME Paper No.63-WA-100  
Numbers indicate references in Table 4-13

**GPV Nuclear**  
TMI Unit-1  
Update -1  
7/82

NDTT Versus Integrated Neutron Exposure For  
A302B Steel

Fig. 4.3-2

## TMI UFSAR

Figures 4.3-3 through 4.3-5

Deleted