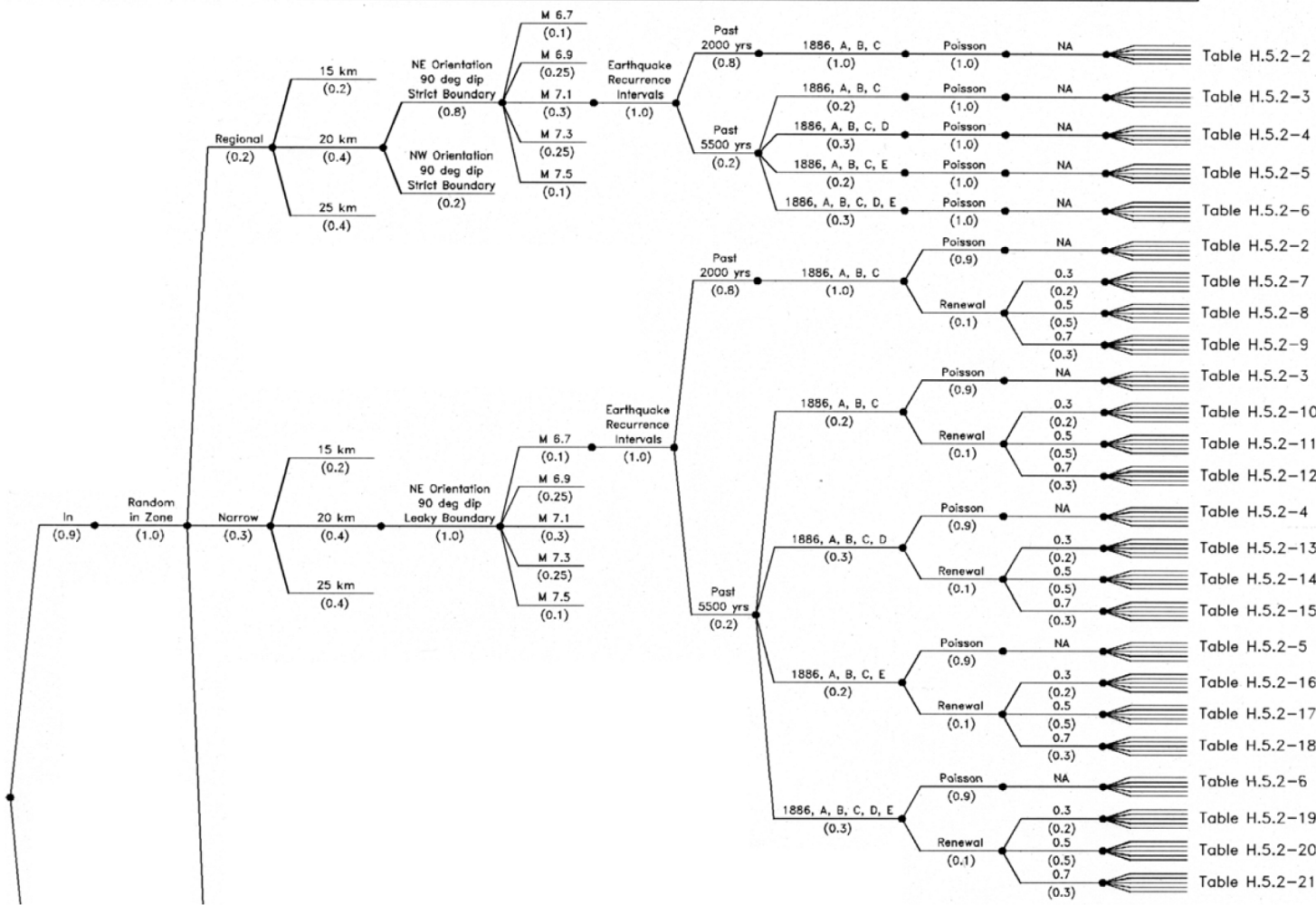


<i>In or Out of Cluster</i>	<i>Localizing Tectonic Feature</i>	<i>Source Geometry</i>	<i>Seismogenic Crustal Thickness</i>	<i>Rupture Orientation</i>	<i>RLME Magnitudes</i>	<i>Recurrence Method</i>	<i>Time Period</i>	<i>Earthquake Count</i>	<i>Earthquake Recurrence Model</i>	<i>Repeat Time Coefficient of Variation (Alpha)</i>	<i>RLME Annual Frequency</i>
-----------------------------	------------------------------------	------------------------	--------------------------------------	----------------------------	------------------------	--------------------------	--------------------	-------------------------	------------------------------------	---	------------------------------



Note: CEUS SSC logic tree showing the full characterization of the Charleston RLME source, modified after Figure H-5.2-1(a) of the CEUS SSC report (NUREG 2115). For RLME annual frequency information, see tables H-5.2-2 through H-5.2-21 from the CEUS SSC report (NUREG 2115).

**WILLIAM STATES LEE III  
NUCLEAR STATION UNITS 1 & 2**

CEUS SSC Logic Tree for  
Charleston RLME  
Corrected on June 27, 2012