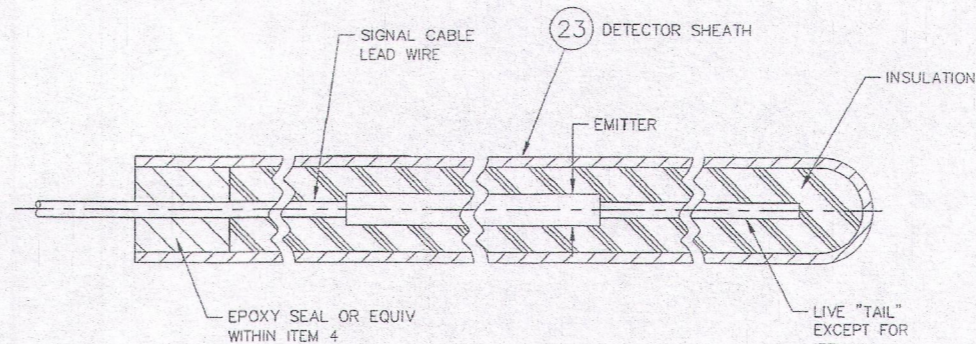
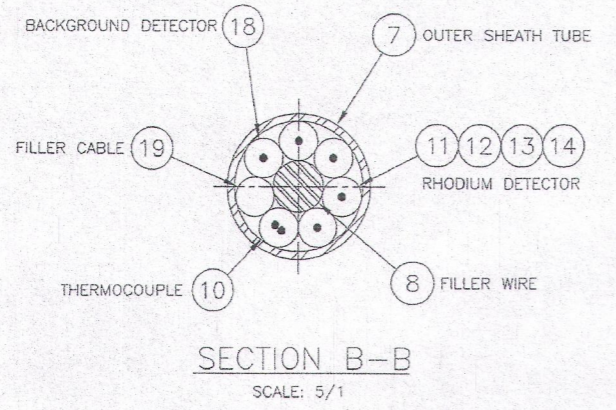
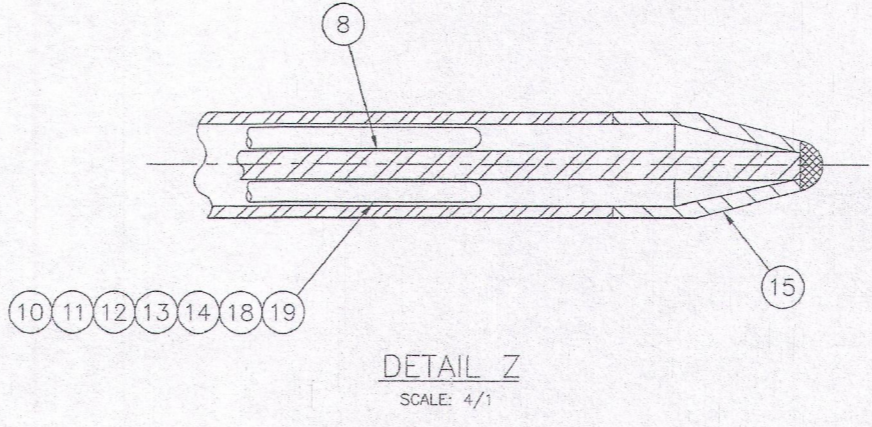
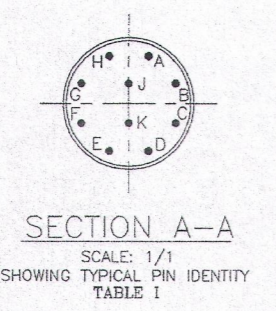


BILL OF MATERIALS				
QUANTITIES ARE FOR ONE ASSEMBLY				
GROUP NO.	QUANTITY	ITEM NO.	NAME	PIECE NO.
6	5	1	IN-CORE INSTRUMENT ASSY	E-13172-165-012-1
		2	NUT	C-QUODOC-165-005-3
		3	RECEPTACLE	E-13172-165-419-3
		4	RECEPTACLE BACKSHELL	E-13172-165-419-4
		5	FLEXIBLE HOUSING	E-13172-165-419-5
		6	DUST CAP	D-STD-165-024-4
		7	OUTER SHEATH TUBE	E-13172-165-419-7
		8	TENSILE MEMBER	E-13172-165-419-8
		9		
		10	OUTLET THERMOCOUPLE	E-13172-165-419-10
		11	RHODIUM DETECTOR (Rh-1) ASSY	E-13172-165-419-11
		12	RHODIUM DETECTOR (Rh-2) ASSY	E-13172-165-419-12
		13	RHODIUM DETECTOR (Rh-3) ASSY	E-13172-165-419-13
		14	RHODIUM DETECTOR (Rh-4) ASSY	E-13172-165-419-14
		15	BULLET NOSE TIP	E-13172-165-419-15
		16		
		17		
		18	BACKGROUND DETECTOR	E-13172-165-419-18
		19	FILLER CABLE	E-13172-165-419-19
		20	LIFT RING ASSY	E-13172-165-419-20
		21	FRONT FERRULE	C-QUODOC-165-005-5
		22	BACK FERRULE	C-QUODOC-165-005-4
		23	DETECTOR SHEATH	E-13172-165-419-20
		24	THERMOCOUPLE SHEATH	E-13172-165-419-21

1 IN-CORE INSTRUMENT ASSY
SCALE: 1/1

TABLE II				
INDIVIDUAL IDENTITY NO. IN-CORE INSTRUMENT ASSY	CORE COORDINATE LOCATION	FLANGE NUMBER	LENGTH K (IN)	LENGTH L (IN)
E-13172-165-012-1	R-18	1	374.94	19.75
E-13172-165-012-2	L-20	1	359.00	26.50
E-13172-165-012-3	L-18	1	366.88	26.50
E-13172-165-012-4	R-16	1	385.94	19.75
E-13172-165-012-5	G-20	1	355.44	26.50
E-13172-165-012-6	L-16	2	382.38	19.75
E-13172-165-012-7	G-18	2	363.50	26.50
E-13172-165-012-8	E-20	2	354.75	19.75
E-13172-165-012-9	E-18	2	357.63	26.50
E-13172-165-012-10	G-16	2	372.31	19.75
E-13172-165-012-11	L-13	2	393.88	26.50
E-13172-165-012-12	G-13	3	382.25	19.75
E-13172-165-012-13	E-16	3	363.25	26.50
E-13172-165-012-14	C-18	3	354.38	19.75
E-13172-165-012-15	C-16	3	357.56	26.50
E-13172-165-012-16	E-13	3	372.13	19.75
E-13172-165-012-17	C-9	3	393.56	26.50
E-13172-165-012-18	E-9	4	374.50	19.75
E-13172-165-012-19	C-13	4	358.25	26.50
E-13172-165-012-20	C-9	4	366.44	26.50
E-13172-165-012-21	E-6	4	385.81	19.75
E-13172-165-012-22	A-14	4	353.38	26.50
E-13172-165-012-23	C-4	5	354.31	19.75
E-13172-165-012-24	A-8	5	370.44	26.50
E-13172-165-012-25	C-6	5	362.25	19.75
E-13172-165-012-26	C-2	5	367.13	26.50
E-13172-165-012-27	E-2	5	357.88	19.75
E-13172-165-012-28	E-4	5	357.38	26.50
E-13172-165-012-29	C-4	6	374.69	19.75
E-13172-165-012-30	L-2	6	358.88	26.50
E-13172-165-012-31	L-4	6	367.00	26.50
E-13172-165-012-32	G-6	6	386.19	19.75
E-13172-165-012-33	R-2	6	355.25	26.50
E-13172-165-012-34	L-6	7	382.25	19.75
E-13172-165-012-35	R-4	7	363.69	26.50
E-13172-165-012-36	T-2	7	354.69	19.75
E-13172-165-012-37	T-4	7	357.88	26.50
E-13172-165-012-38	R-6	7	372.25	19.75
E-13172-165-012-39	L-9	7	391.50	26.50
E-13172-165-012-40	R-9	8	381.88	19.75
E-13172-165-012-41	T-6	8	363.31	26.50
E-13172-165-012-42	W-4	8	354.38	19.75
E-13172-165-012-43	W-6	8	357.56	26.50
E-13172-165-012-44	T-9	8	372.19	19.75
E-13172-165-012-45	R-13	8	394.06	26.50
E-13172-165-012-46	T-13	9	374.50	19.75
E-13172-165-012-47	W-9	9	358.50	26.50
E-13172-165-012-48	W-13	9	366.38	26.50
E-13172-165-012-49	T-16	9	386.06	19.75
E-13172-165-012-50	Y-6	9	353.31	26.50
E-13172-165-012-51	W-18	10	354.19	19.75
E-13172-165-012-52	Y-14	10	370.19	26.50
E-13172-165-012-53	W-16	10	361.69	19.75
E-13172-165-012-54	R-20	10	367.25	26.50
E-13172-165-012-55	T-20	10	357.88	19.75
E-13172-165-012-56	T-18	10	357.31	26.50

TABLE I	
PIN	CONNECT TO
A	ITEM 18
B	ITEM 11
C	ITEM 12
D	ITEM 13
E	ITEM 14
F	ITEM 10 CHROMEL
G	ITEM 10 ALUMEL
H	SHELL COMMON
J	SPARE
K	SPARE



TYPICAL DETECTOR ASSEMBLY CROSS SECTION
SCALE: 20/1
INFORMATION SHOWN IS REPRESENTATIVE OF ALL DETECTORS

1. PRODUCT TO BE IN ACCORDANCE WITH WESTINGHOUSE SPECIFICATION 00000-FEA-6108.

APPROVED
REFERENCE
DESIGN

CUSTOMER	
FLORIDA POWER & LIGHT COMPANY ST. LUCIE PLANT - UNIT 2	
DATABASE IDENTIFICATION NUMBER 13172165012012	
Westinghouse Electric Company LLC NUCLEAR SERVICES-WINDSOR, CT. U.S.A.	
IN-CORE INSTRUMENT ASSEMBLY	
REVIEWED BY	DATE
R. J. Filippek	7/28/06

WESTINGHOUSE PROPRIETARY CLASS 2		SIGNATURES SHOWN ARE FOR CURRENT REVISION	
THIS DOCUMENT CONTAINS PROPRIETARY INFORMATION OF THE WESTINGHOUSE ELECTRIC COMPANY, LLC. IT IS TRANSMITTED TO YOU IN CONFIDENCE AND TRUST, AND IS TO BE RETURNED UPON REQUEST. IT CONTAINS NO INFORMATION WHICH MAY BE USED FOR OTHER THAN THE PURPOSE FOR WHICH TRANSMITTED WITHOUT THE PRIOR WRITTEN PERMISSION OF THE WESTINGHOUSE ELECTRIC COMPANY, LLC.		DATE: 7/28/06	
DWG. REF.	THIRD ANGLE PROJECTION	DATE: 7/28/06	SCALE: AS NOTED
NEXT ASSY			

TOLERANCE & MACHINE NOTES
(UNLESS OTHERWISE SPECIFIED)
DRAWING PRACTICES, GEOMETRIC SYMBOLS, DIMENSIONING, TOLERANCES & INTERPRETATION BASED ON ASME Y14.5M-1994 STANDARD
DIMENSIONS IN INCHES BASED ON 68°F(20°C)
TOLERANCES:
ONE PLACE DECIMAL: ± 0.1
THREE PLACE DECIMAL: ± 0.005
RADIUS OR CHAMFER ALL EDGES: 0.005-0.030
FILLET RADIUS: 0.030 ± 0.01
CHAMFERS: 0.5
MAXIMUM MACHINED SURFACE: 125 IN. (0.004 A) V
MAXIMUM SURFACE ROUGHNESS: 250 IN. (0.004 A) V

REVISION	DATE	BY	DESCRIPTION
3	7/28/06	PFB	REVISED FOR PDB
2	7/28/06	DFW	REVISED FOR PDB
1			

2998-19729	REV 3
FLORIDA POWER & LIGHT COMPANY ST. LUCIE PLANT UNIT 2	
P.O. CE-917	
REVIEWED WITHOUT COMMENTS	
REVIEWED WITH COMMENTS AS NOTED	
NOT APPLICABLE	
NO COMMENTS, NO PRINT RETURNED	
FOR INFORMATION ONLY	
NO FURTHER REPRODUCIBLE REQUIRED	
RESUBMIT REVISED REPRODUCIBLE	
RESUBMIT REPRODUCIBLE AS SHIPPED	
DO NOT PROCEED WITH FABRICATION	
RESUBMIT REVISED REPRODUCIBLE	

REVIEWED BY: R. J. Filippek
DATE: 7/28/06
SCALE: AS NOTED
DRAWING NO. E-13172-165-01212