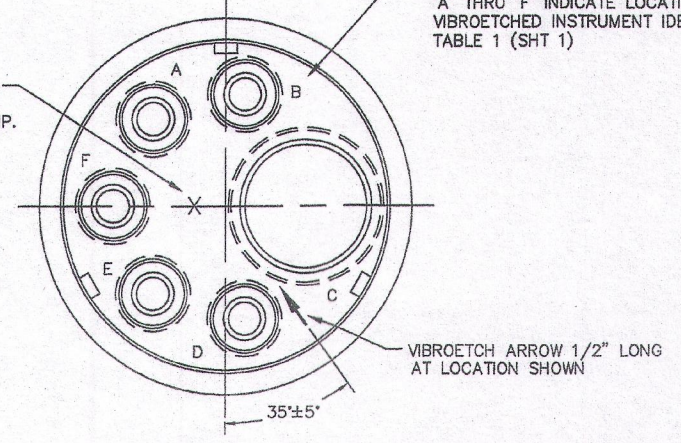


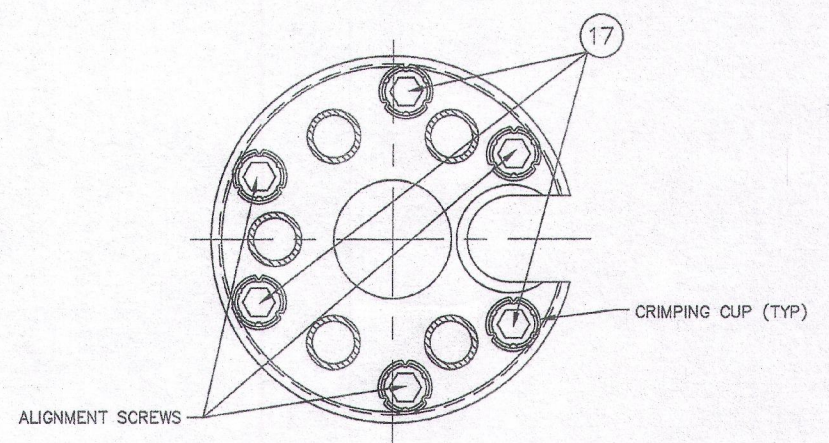
4 9 HJTC QUICKLOC ASSEMBLY
SCALE: 1/1
NOTE 3

LETTERS 'A' THRU 'F' ARE LOCATIONAL REFERENCE ONLY AND ARE NOT TO BE VIBROETCHED. LETTERS 'A' THRU 'F' INDICATE LOCATIONS OF 1/8" HIGH MINIMUM VIBROETCHED INSTRUMENT IDENTITY NUMBERS PER TABLE 1 (SHT 1)

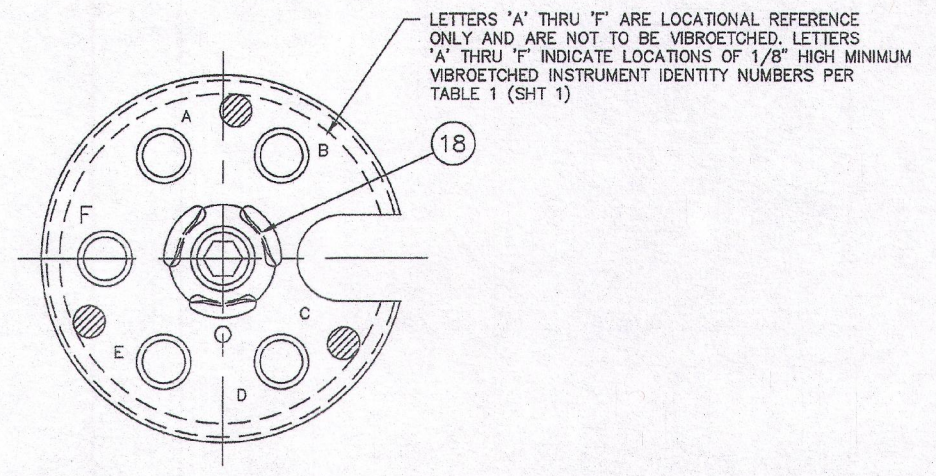
STAMP PIECE NO. IN DEFINED AREA. MARKING SHALL BE 3/16" NUMERALS 1/64" DEPTH. USE LOW STRESS STAMP.



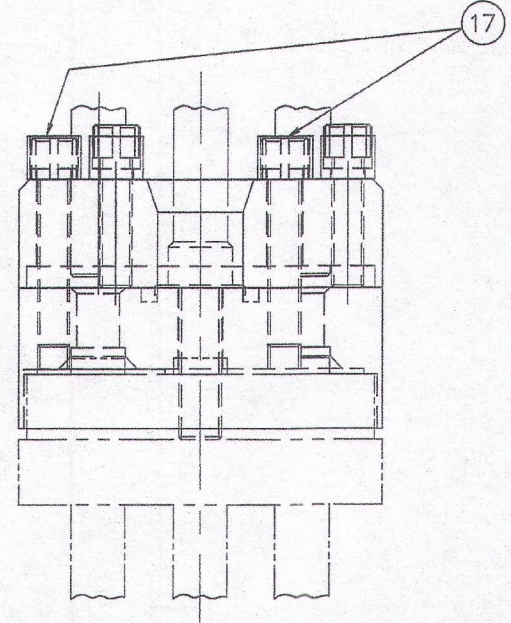
VIEW E-E
SCALE: 1/1
ITEMS 41 & 46 SHOWN ONLY FOR CLARITY



SECTION F-F
SCALE: 1/1



SECTION G-G
SCALE: 1/1



VIEW H
SCALE: 1/1

CERTIFIED FOR CONSTRUCTION

CUSTOMER FLORIDA POWER & LIGHT CO.
ST. LUCIE PLANT - UNIT 2

DATABASE IDENTIFICATION NUMBER
13172 / 165 / 3200205

WESTINGHOUSE WESTINGHOUSE ELECTRIC COMPANY LLC
WINDSOR, CT, U.S.A.

ICI & HJTC
QUICKLOC ASSEMBLY

DATE: 11/16/11
E-13172-165-320 05

REV. 2 OF 2

© 2012 Westinghouse Electric Company LLC
All Rights Reserved

STATUS:
TOLERANCE & MACHINE NOTES
(UNLESS OTHERWISE SPECIFIED)

DRAWING PRACTICE: GEOMETRIC SYMBOLS, DIMENSIONS, TOLERANCING & INTERPRETATION BASED ON ASME Y14.5M STANDARDS	WESTINGHOUSE PROPRIETARY CLASS 2 THIS DOCUMENT IS THE PROPERTY OF AND CONTAINS PROPRIETARY INFORMATION OWNED BY WESTINGHOUSE ELECTRIC COMPANY LLC AND/OR ITS SUBCONTRACTORS AND SUPPLIERS. IT IS TRANSMITTED TO YOU IN CONFIDENCE AND TRUST, AND YOU AGREE TO TREAT THIS DOCUMENT IN STRICT ACCORDANCE WITH THE TERMS AND CONDITIONS OF THE AGREEMENT UNDER WHICH IT WAS PROVIDED TO YOU.
DIMENSIONS IN INCHES BASED ON 80°F (27°C)	
TOLERANCES:	
ONE PLACE DECIMAL	± .1
TWO PLACE DECIMAL	± .02
THREE PLACE DECIMAL	± .005
RADIUS ON CHAMFER ALL EDGES	0.0075 R
CHAMFER	0.0075 C
ANGLE	± .5°
MAXIMUM UNFINISHED SURFACE - SEE 11 (U) AA V	
MAXIMUM SURFACE ROUGHNESS - 250 R (U) AA V	

ELECTRONICALLY APPROVED RECORDS ARE AUTHENTICATED IN THE ELECTRONIC DOCUMENT MANAGEMENT SYSTEM. SEE LOGS FOR DRAWING APPROVAL DATES.

DESIGNED BY: JOHN BACHRYJ	DATE: 11/16/11
DRAWN BY: RONALD J. KOPREK	
CHECKED BY: N/A	
ENGINEER: AARON C. BERGERON	
ENCL. VERIFIER: DANIEL T. LARSON	
DWG. REV.:	THIRD ANGLE PROJECTION
REV. VERIFIER:	
DWG. APPROVAL BY: ANA V. BAUER	
DATE: 11/16/11	

REV.	DATE	BY	CHK.	APP.	REVISION DESCRIPTION
3	11/16/11	AK	AK	AK	REVISED CUSTOMER NUMBER TO LAST VENDOR PART NUMBER.
2	10/17/10	RS	AK	AK	NO MORE PENDING REV. REQUESTS. REVISED REVISIONS.
1					

2998-19710	REV. 3
FLORIDA POWER & LIGHT COMPANY ST. LUCIE PLANT UNIT 2	
P.O. CE 917	
REVISIONS WITHOUT COMMENTS	<input checked="" type="checkbox"/>
REVISIONS WITH COMMENTS AS NOTED	<input type="checkbox"/>
NOT APPLICABLE	<input type="checkbox"/>
NO COMMENTS, NO PRINT REQUIRED	<input type="checkbox"/>
FOR INFORMATION ONLY	<input type="checkbox"/>
NO FURTHER REVISIONS REQUIRED	<input checked="" type="checkbox"/>
REVISIONS REQUIRED AS SHIPPED	<input type="checkbox"/>
NO MORE PENDING REV. REQUESTS. REVISED REVISIONS REQUIRED	<input type="checkbox"/>
NO MORE PENDING REV. REQUESTS. REVISED REVISIONS REQUIRED	<input type="checkbox"/>
ICI & HJTC QUICKLOC ASSEMBLY SHEET 2	
REVISED BY: [Signature]	DATE: 11/16/11
THIS DOCUMENT IS THE PROPERTY OF WESTINGHOUSE ELECTRIC COMPANY LLC AND/OR ITS SUBCONTRACTORS AND SUPPLIERS. IT IS TRANSMITTED TO YOU IN CONFIDENCE AND TRUST, AND YOU AGREE TO TREAT THIS DOCUMENT IN STRICT ACCORDANCE WITH THE TERMS AND CONDITIONS OF THE AGREEMENT UNDER WHICH IT WAS PROVIDED TO YOU.	
DATE: 11/16/11	TIME: 11:16 AM
FILE: E-13172-165-320 05	REV. 2 OF 2

D 30