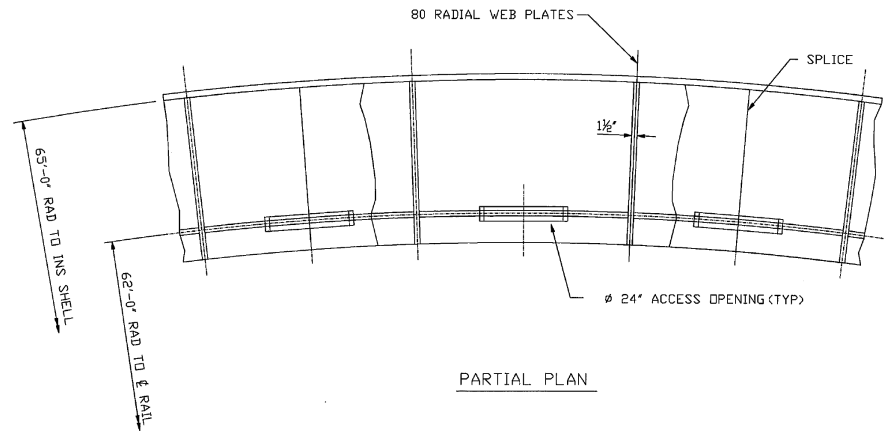
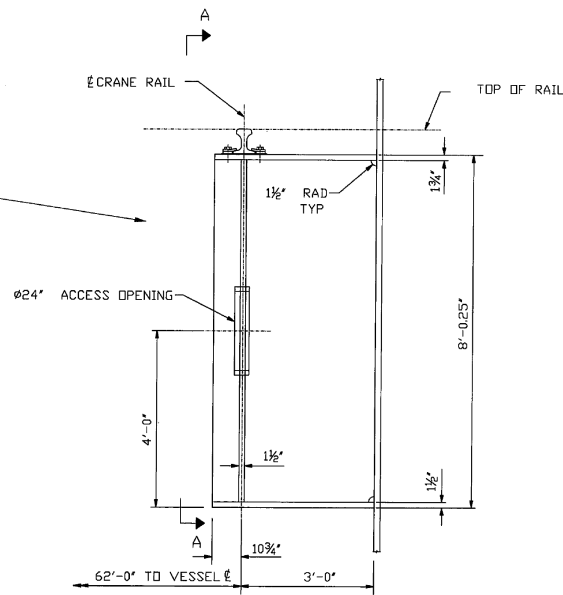
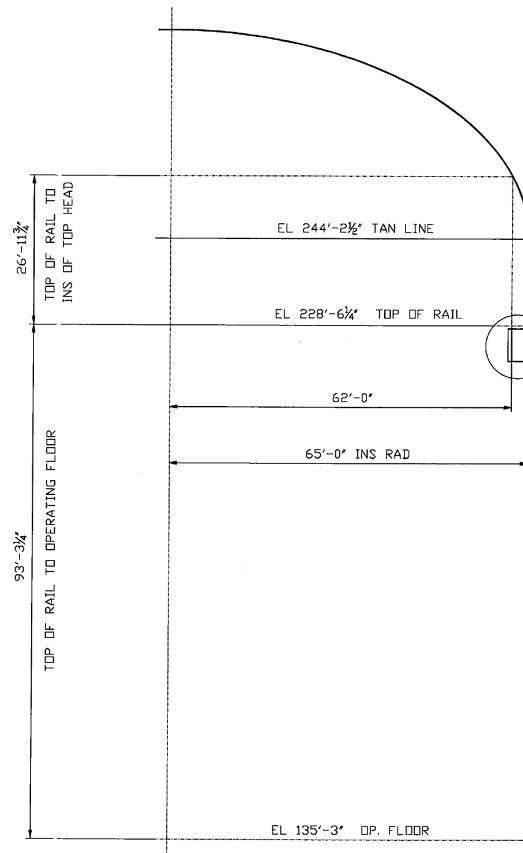


SECTION A-A



PARTIAL PLAN



Duke Energy Florida  
**Levy Nuclear Plant**  
**Units 1 and 2**  
**Part 2, Final Safety Analysis Report**

Containment Vessel General Outline

FIGURE 3.8-201