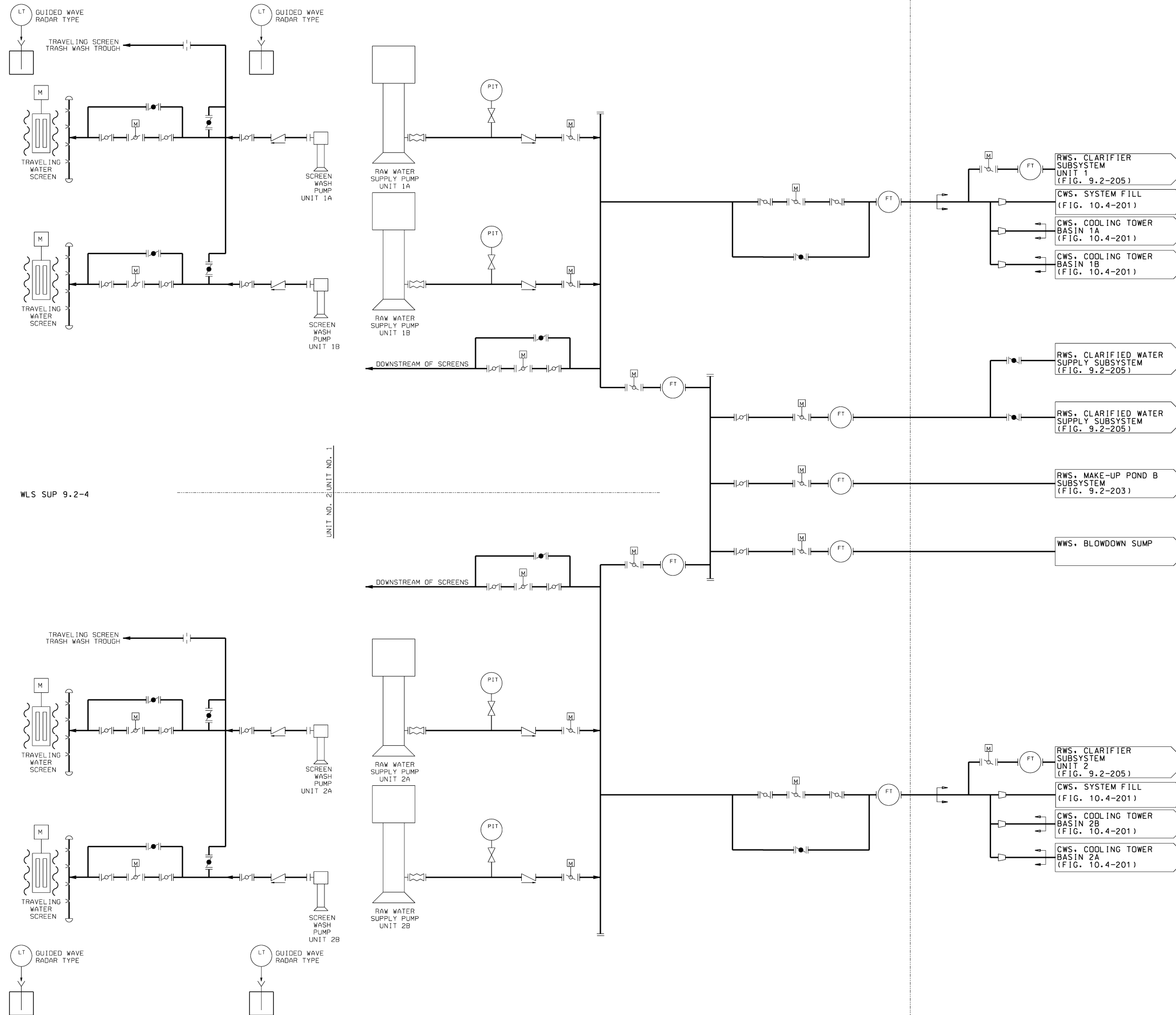


NOTES:  
 1. ALL MOTOR OPERATED VALVES SHALL HAVE MANUAL OPERATION HANDWHEELS.



WLS SUP 9.2-4

UNIT NO. 2/UNIT NO. 1

WILLIAM STATES LEE III  
 NUCLEAR STATION UNITS 1 & 2

Raw Water System,  
 Raw Water Supply Subsystem

MAKE-UP POND A INTAKE STRUCTURE