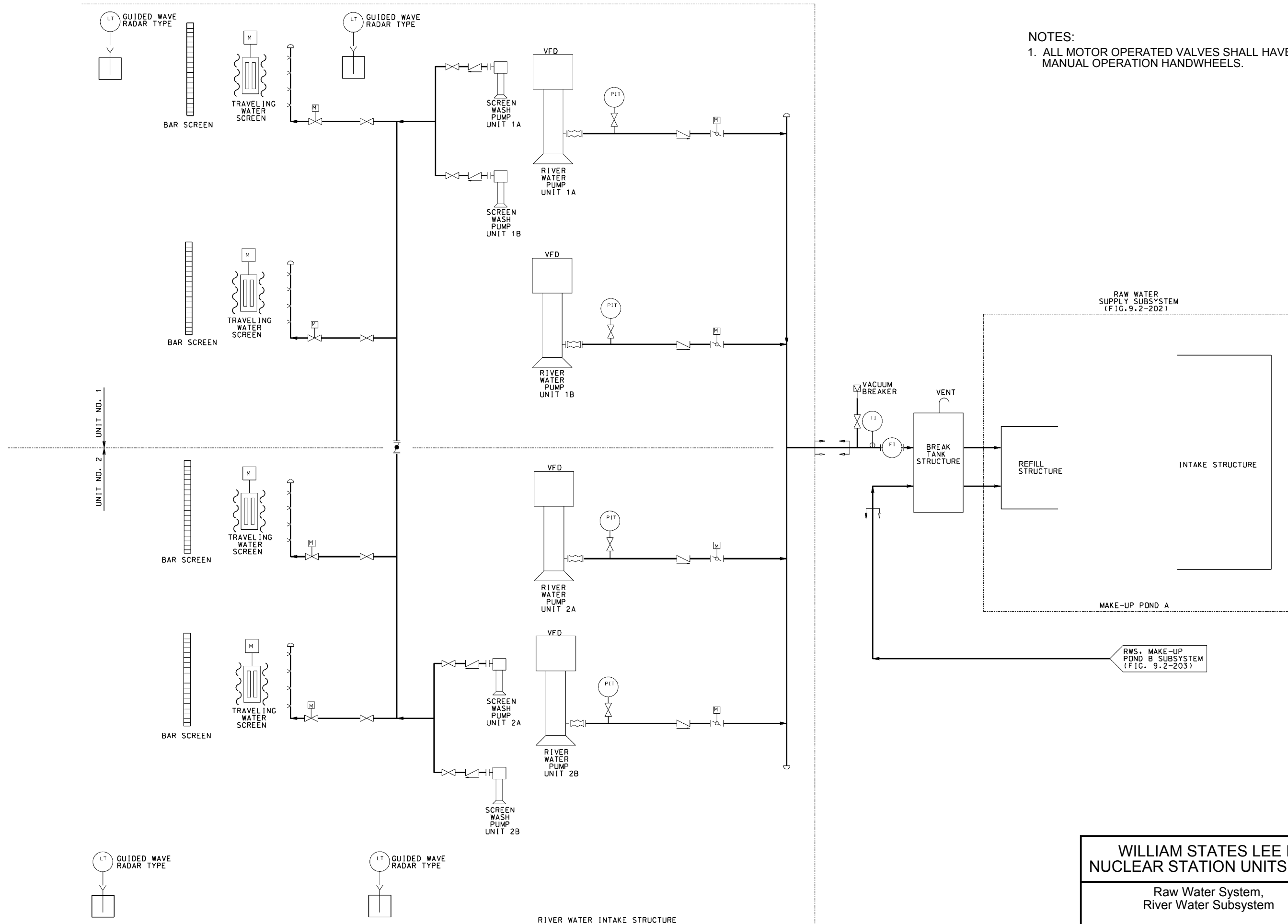


WLS SUP 9.2-4



NOTES:
1. ALL MOTOR OPERATED VALVES SHALL HAVE MANUAL OPERATION HANDWHEELS.

WILLIAM STATES LEE III
NUCLEAR STATION UNITS 1 & 2

Raw Water System,
River Water Subsystem