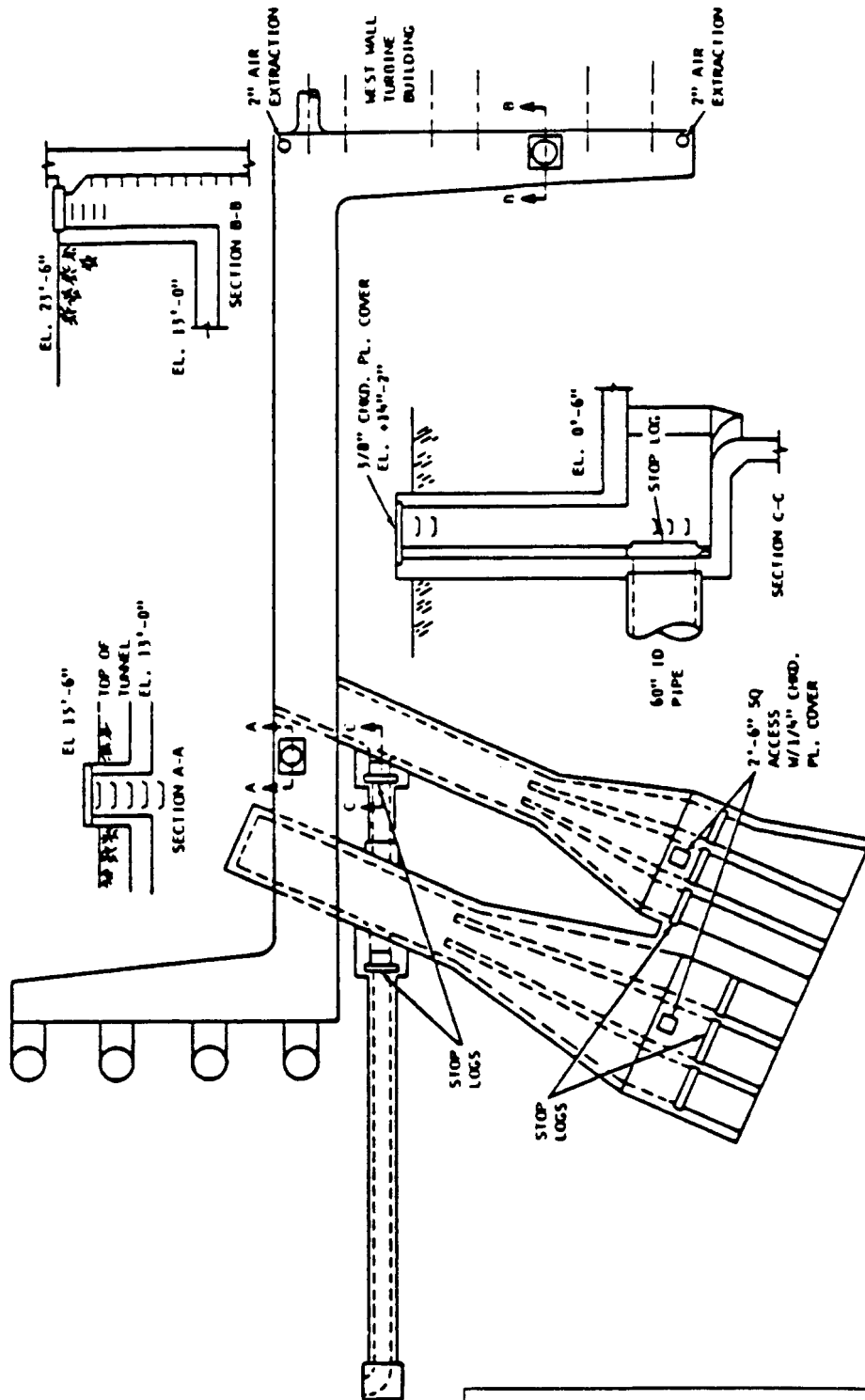


## OCNGS UFSAR

Figures 10.1-1 through 10.4-2

Deleted



<b>GPU Nuclear</b> <b>Oyster Creek</b> <b>Circulating Water System — Intake and Discharge Arrangement</b>	Update - 5
	12/90
	Fig. 10.4-3

**OCNGS UFSAR**

Figures 10.4-4A through 10.4-5B

Deleted