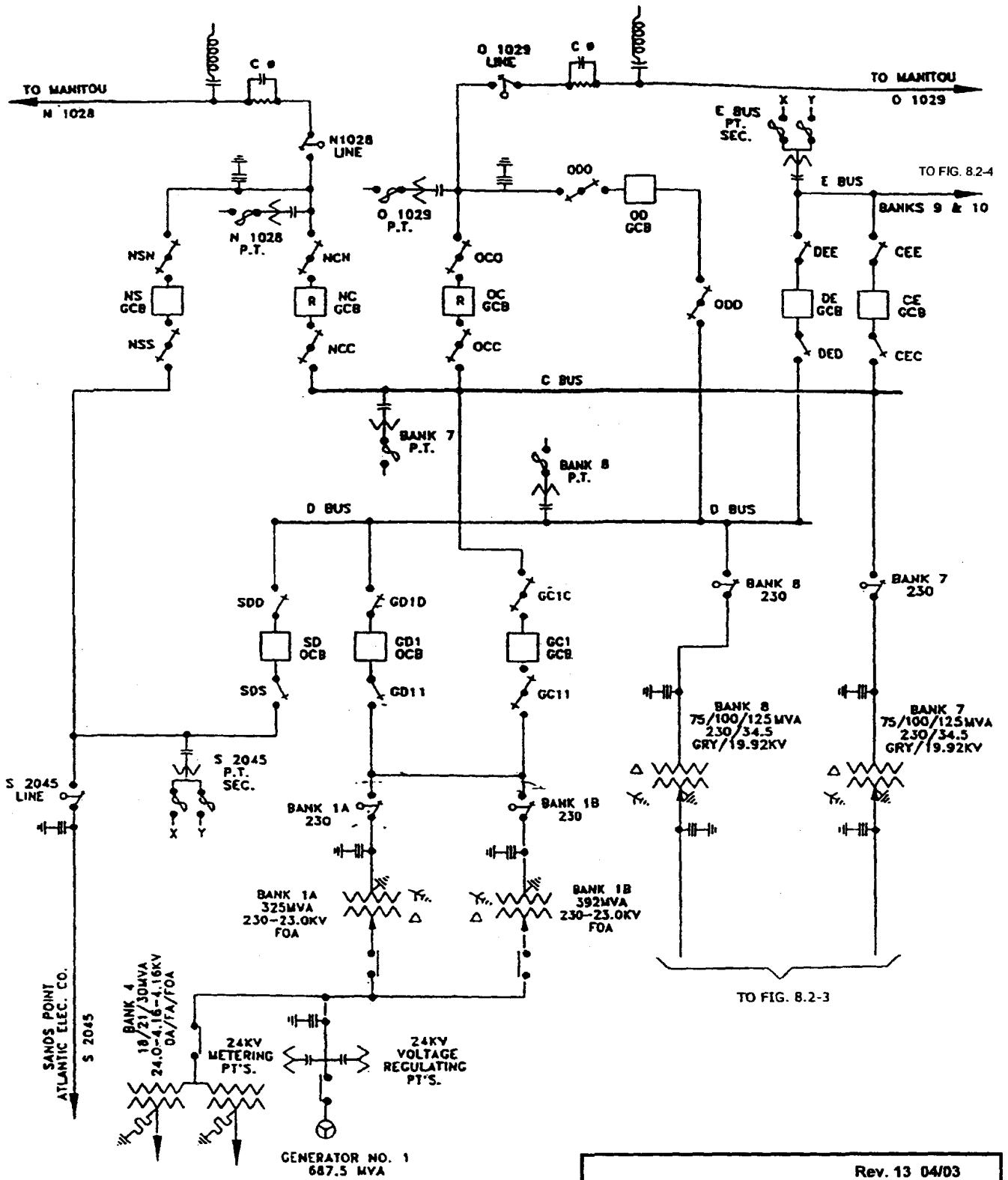


Rev. 18 10/13

OYSTER CREEK NUCLEAR GENERATING STATION
**230-34.5 kV Substation—
 One Line Diagram**

FIGURE 8.2-1



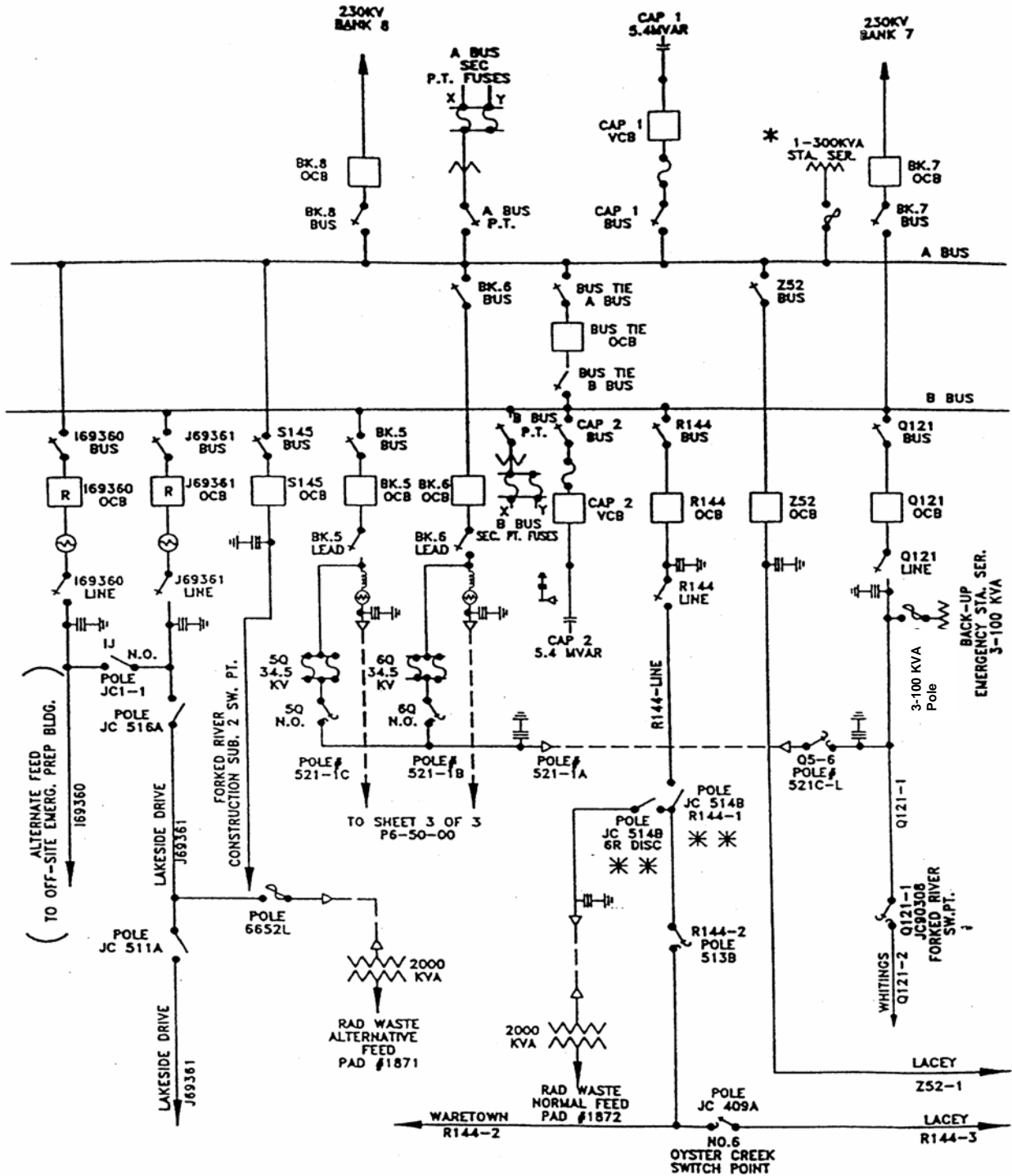
REF. P6-50-00 SH.1

Rev. 13 04/03

OYSTER CREEK NUCLEAR GENERATING STATION

230 kV Substation—
One Line Diagram

FIGURE 8.2-2



* AUTOMATIC STATION SERVICE THROW-OVER TO DILUTION

* * 6R DISC. & R144-1 DISC. ON SAME POLE

REV. 15, OCTOBER 2007

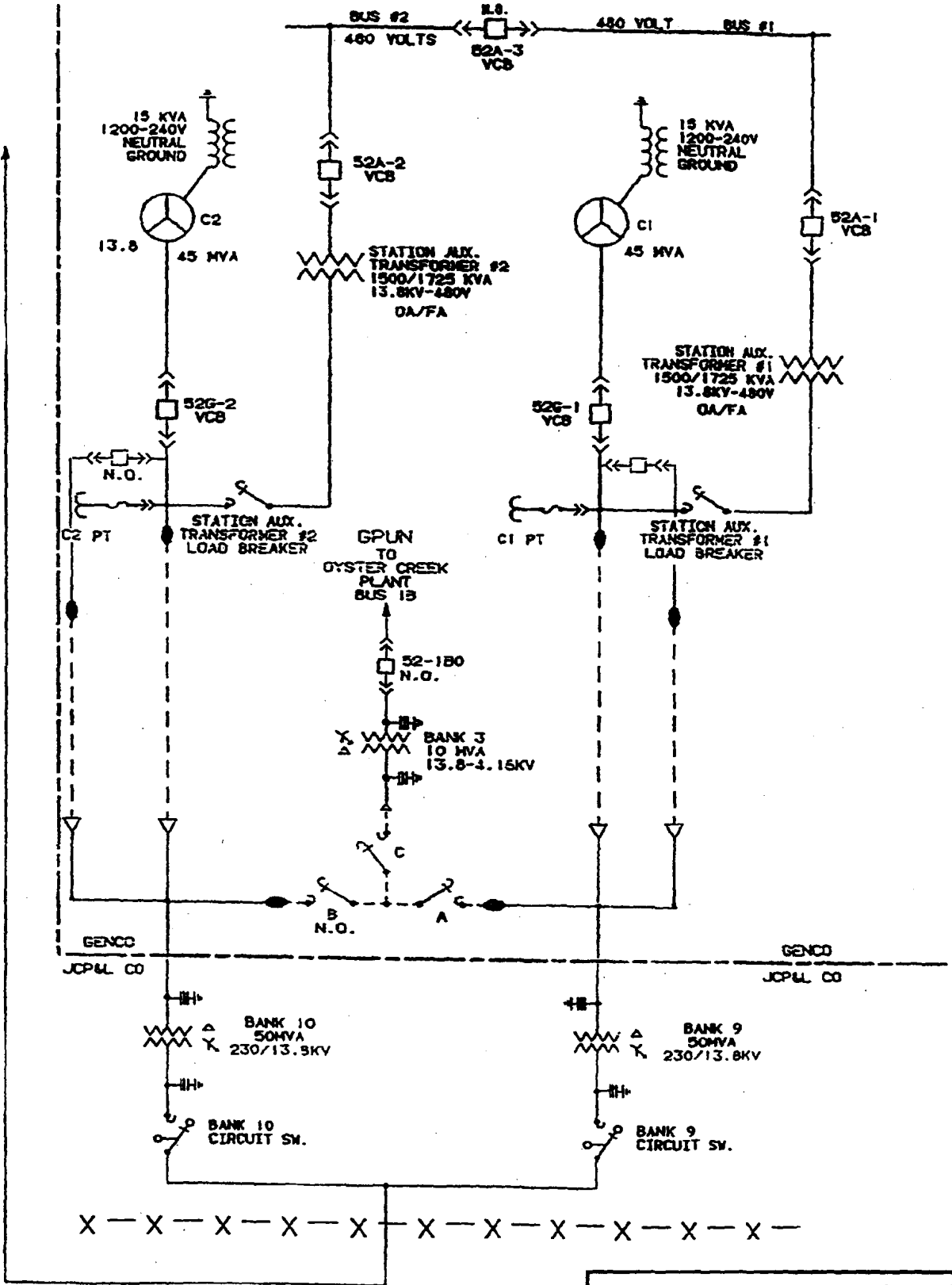
REF. P6-50-00 SH. 2

OYSTER CREEK NUCLEAR GENERATING STATION

**34.5 kV Substation—
One Line Diagram**

FIGURE 8.2-3

TO FIG. 8.2-2



GENCO MANAGED -----

JCP&L CO -----

Rev. 13 04/03

OYSTER CREEK NUCLEAR GENERATING STATION

**230 Kv Substation—
Single Line Diagram**

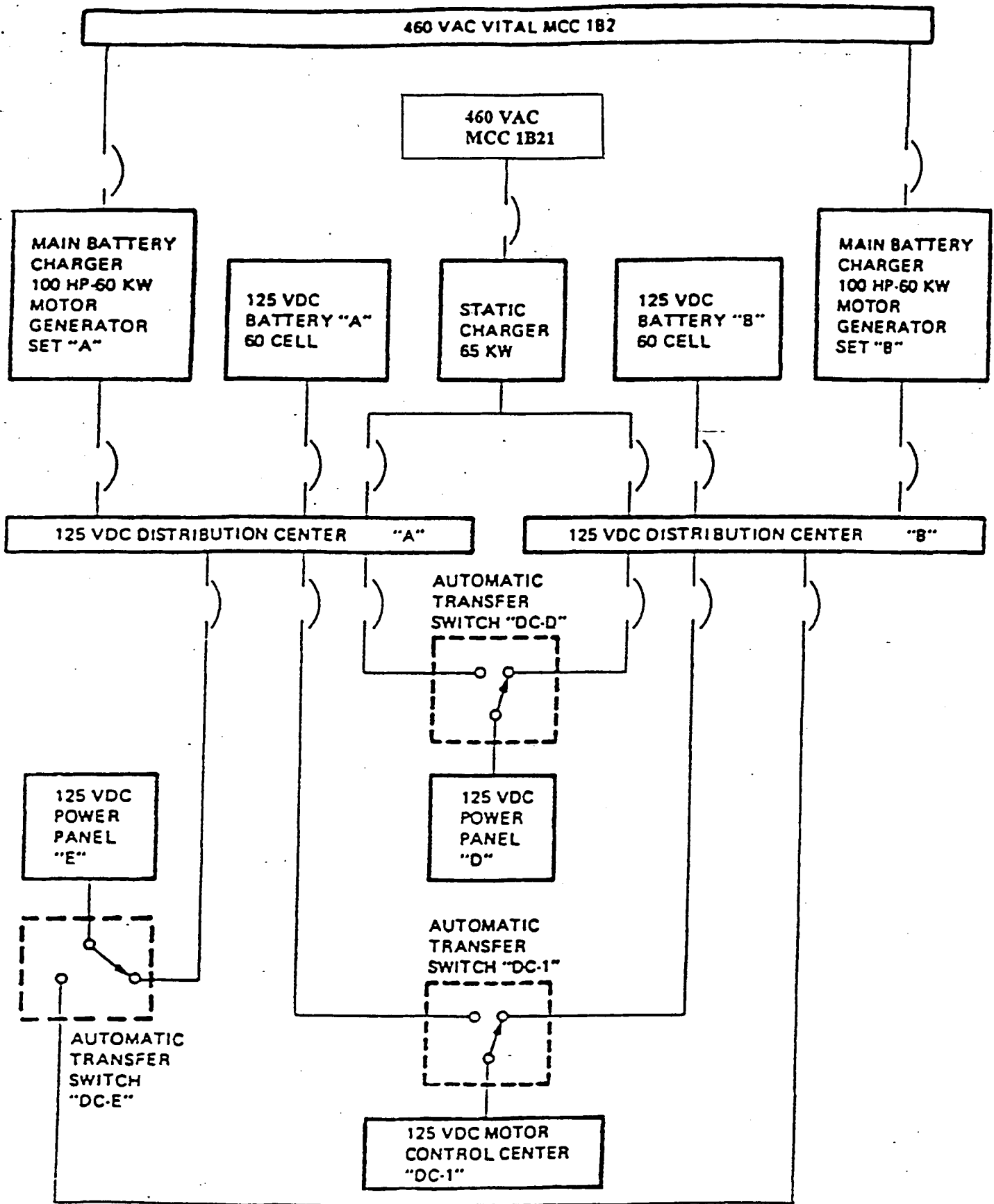
FIGURE 8.2-4

REF. P7-50-00

OCNGS UFSAR

Figures 8.3-1A through 8.3-6

Deleted



GPU Nuclear

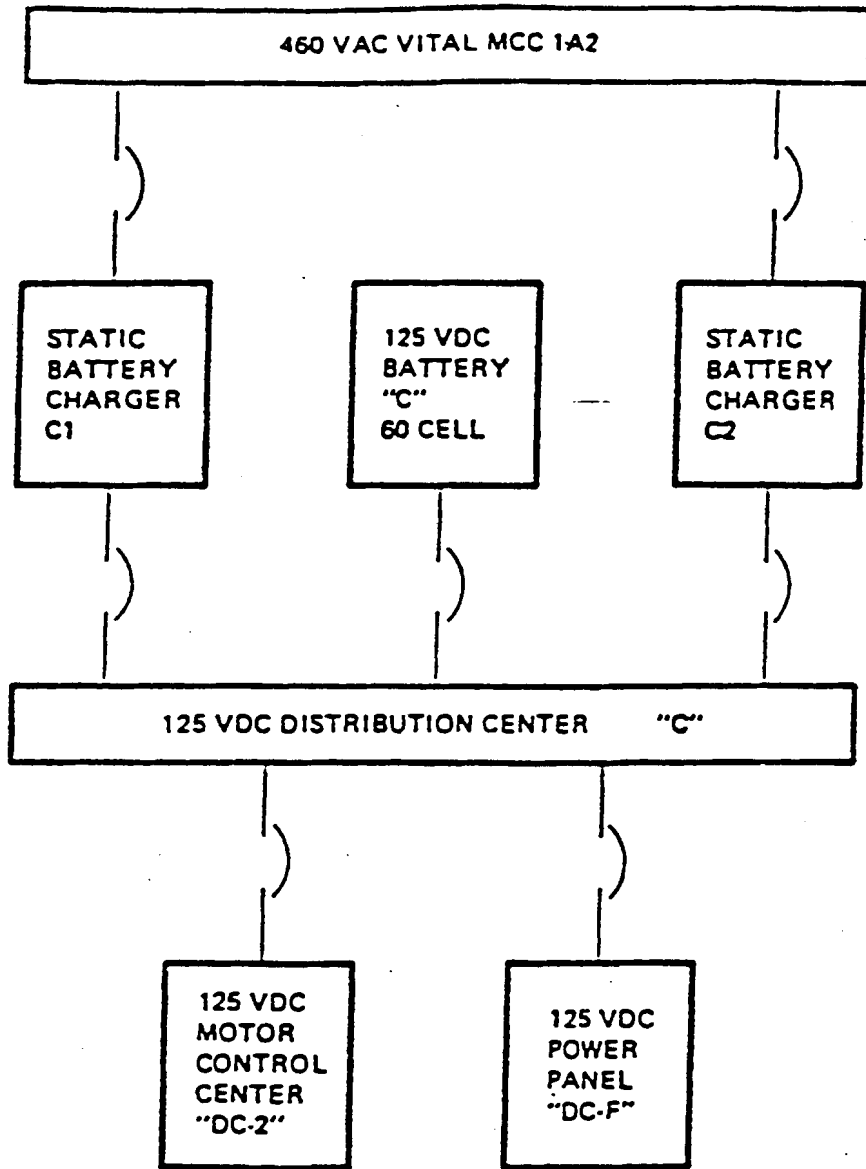
Oyster Creek

D. C. Power System Block Diagram

Update-11

04/99

Fig. 8.3-7A



GPU Nuclear

Oyster Creek

DC Power System Block Diagram

Update-11
04/99

Fig. 8-3-78