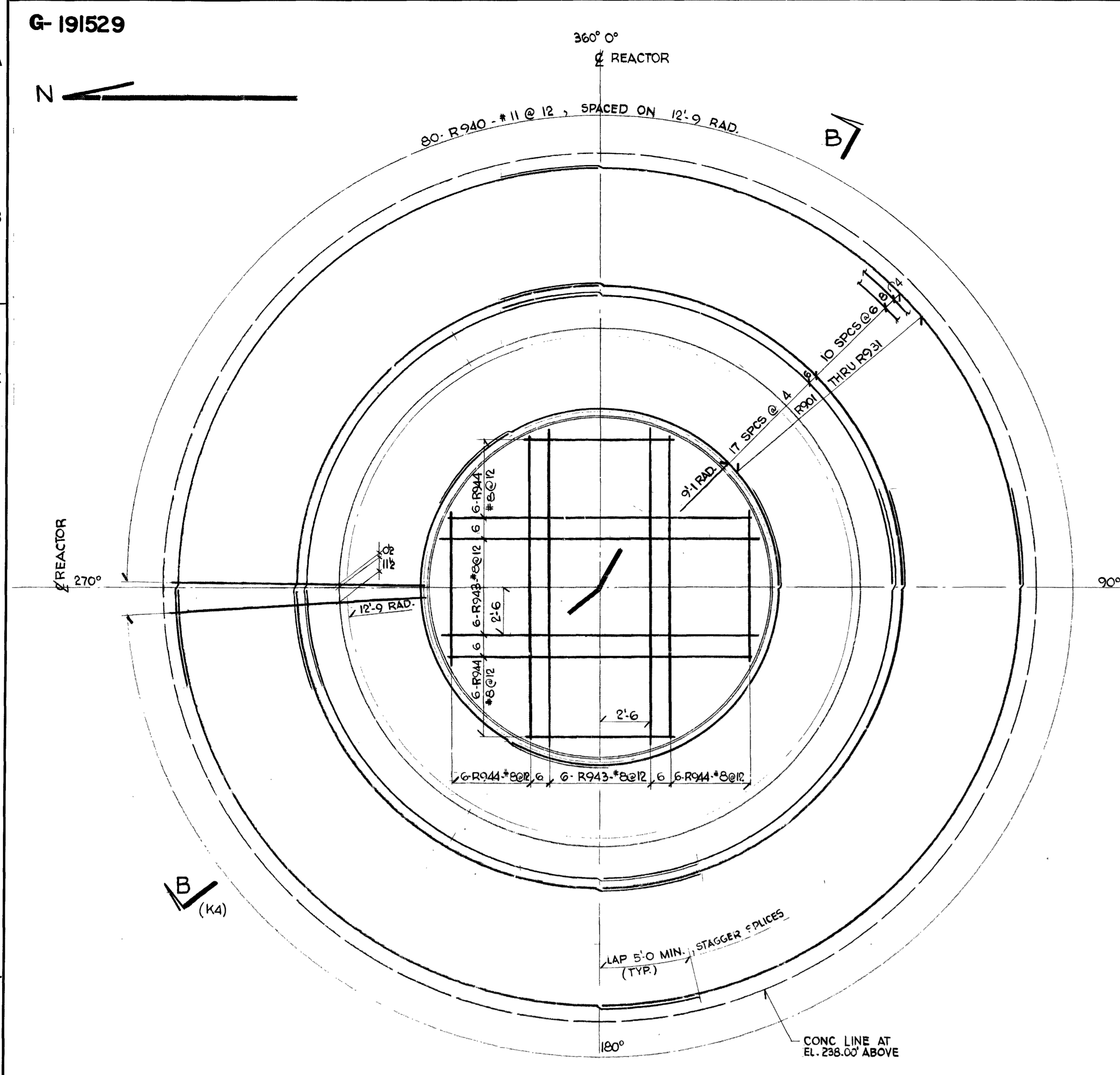
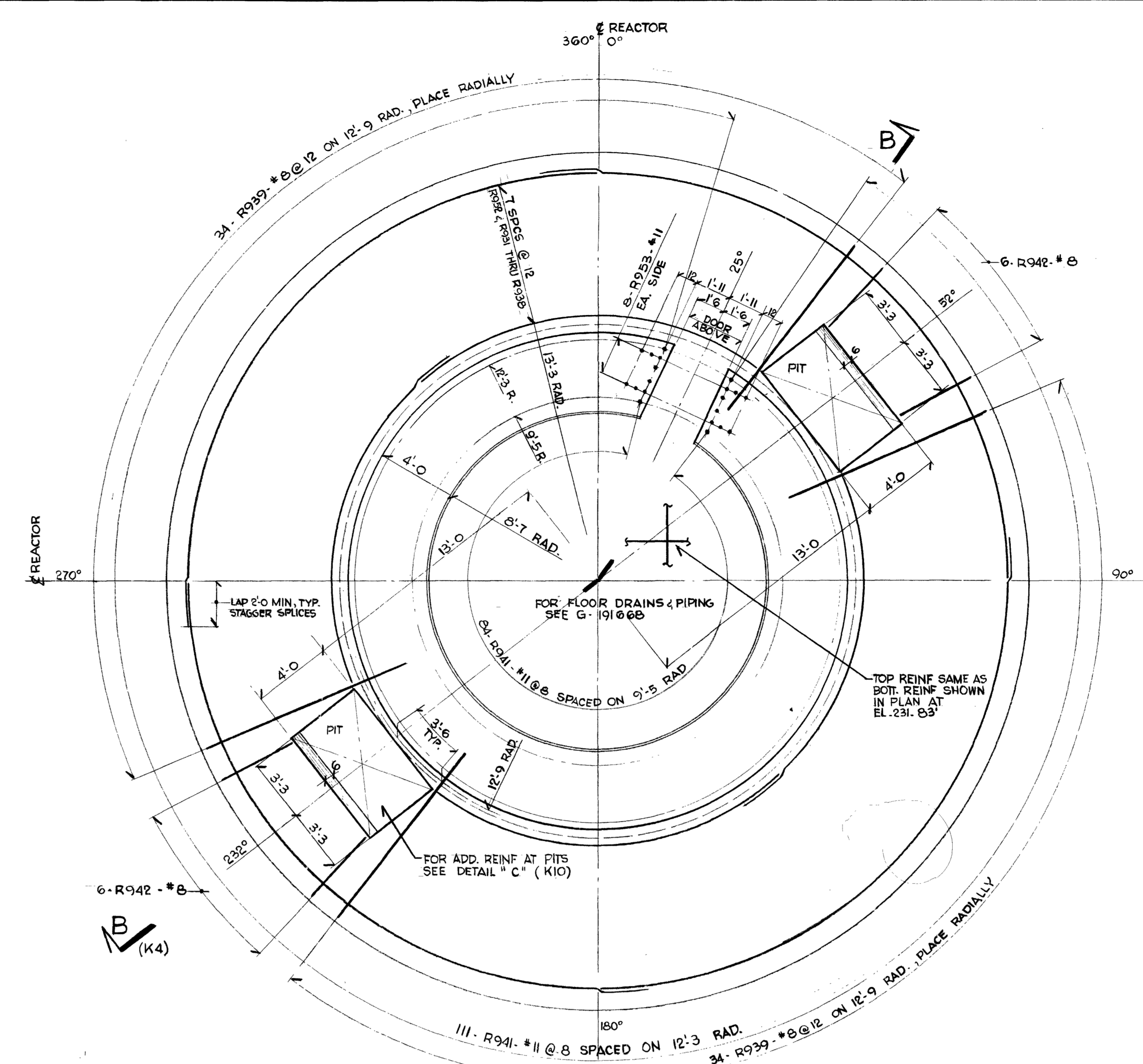


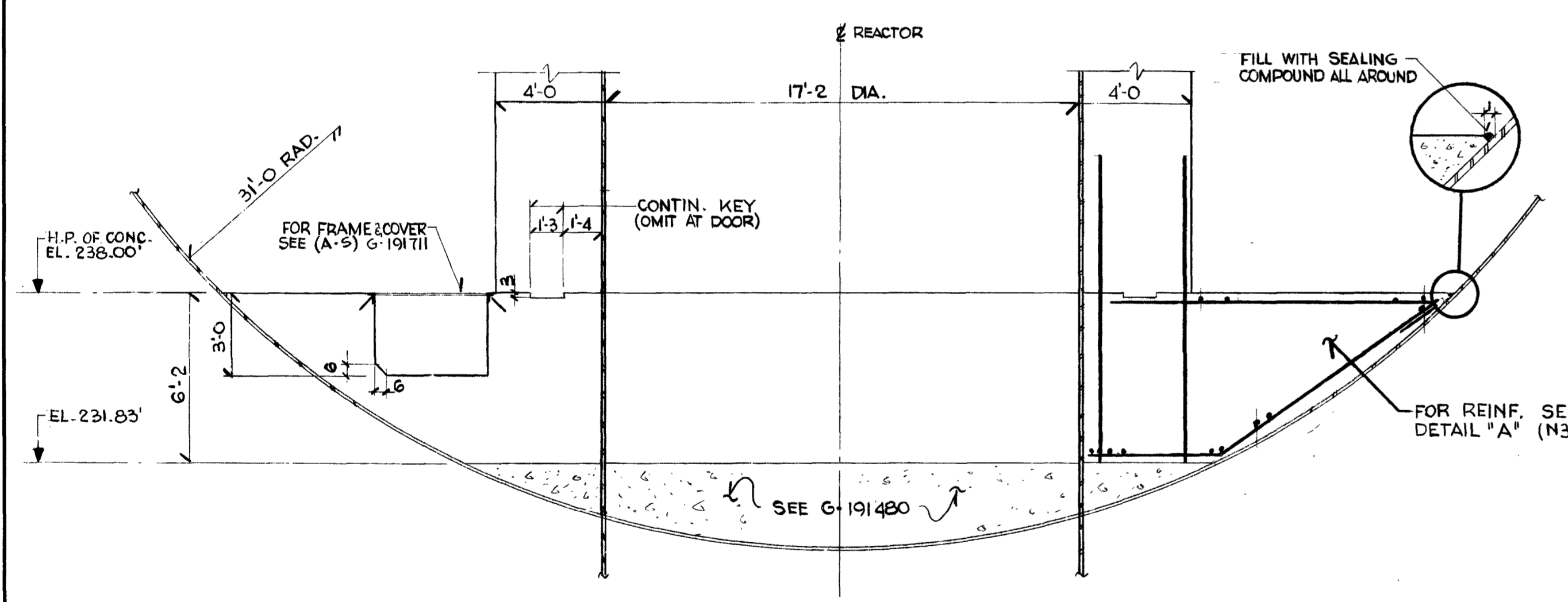
G-191529



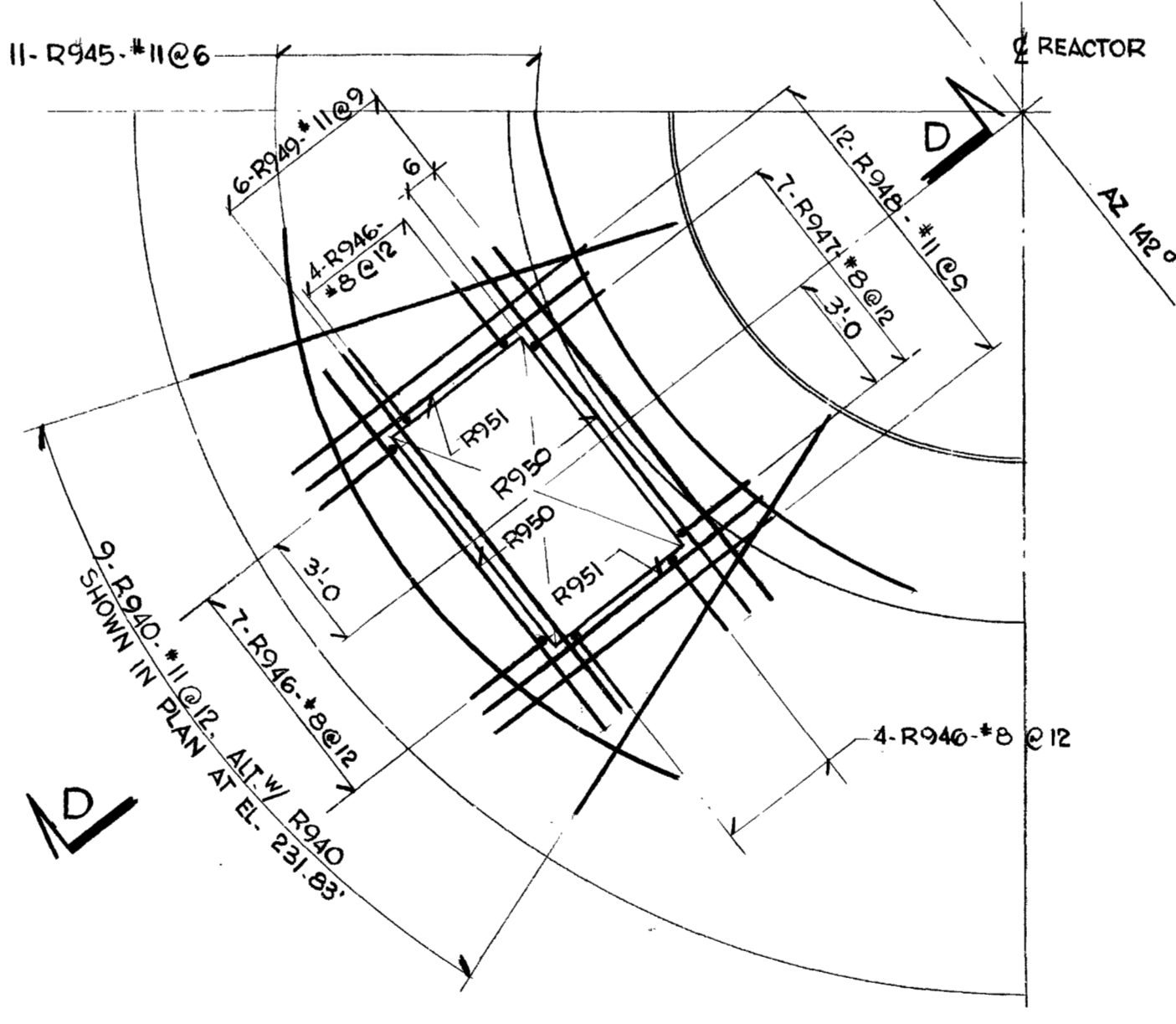
PLAN AT EL. 231.83'



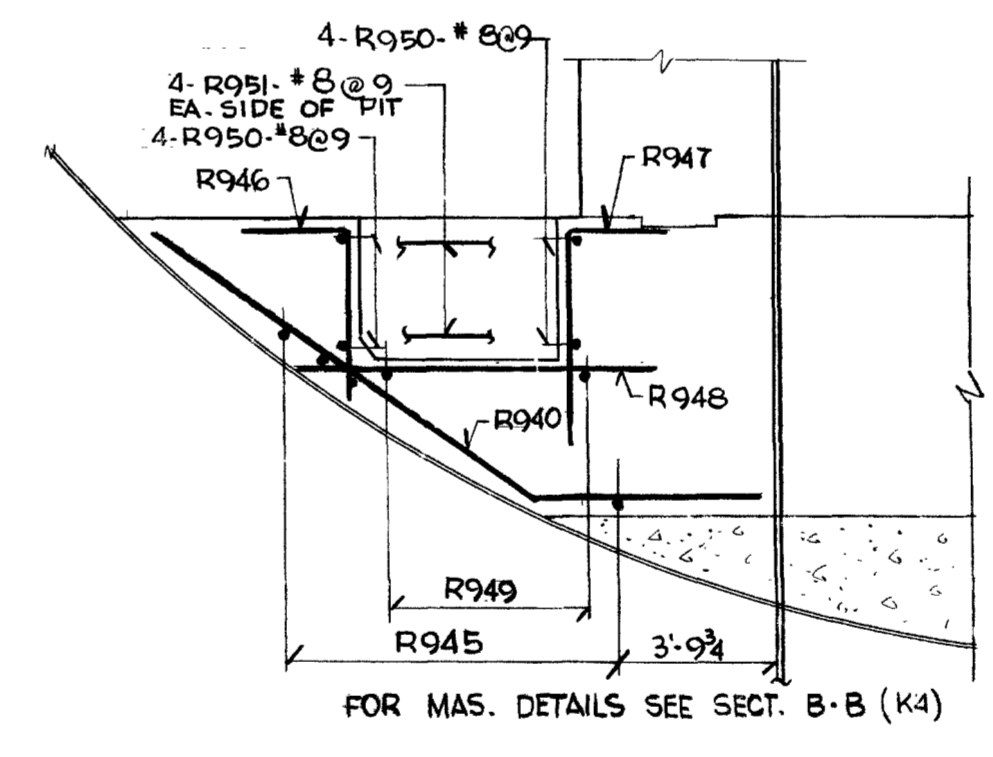
PLAN AT EL. 238.00'



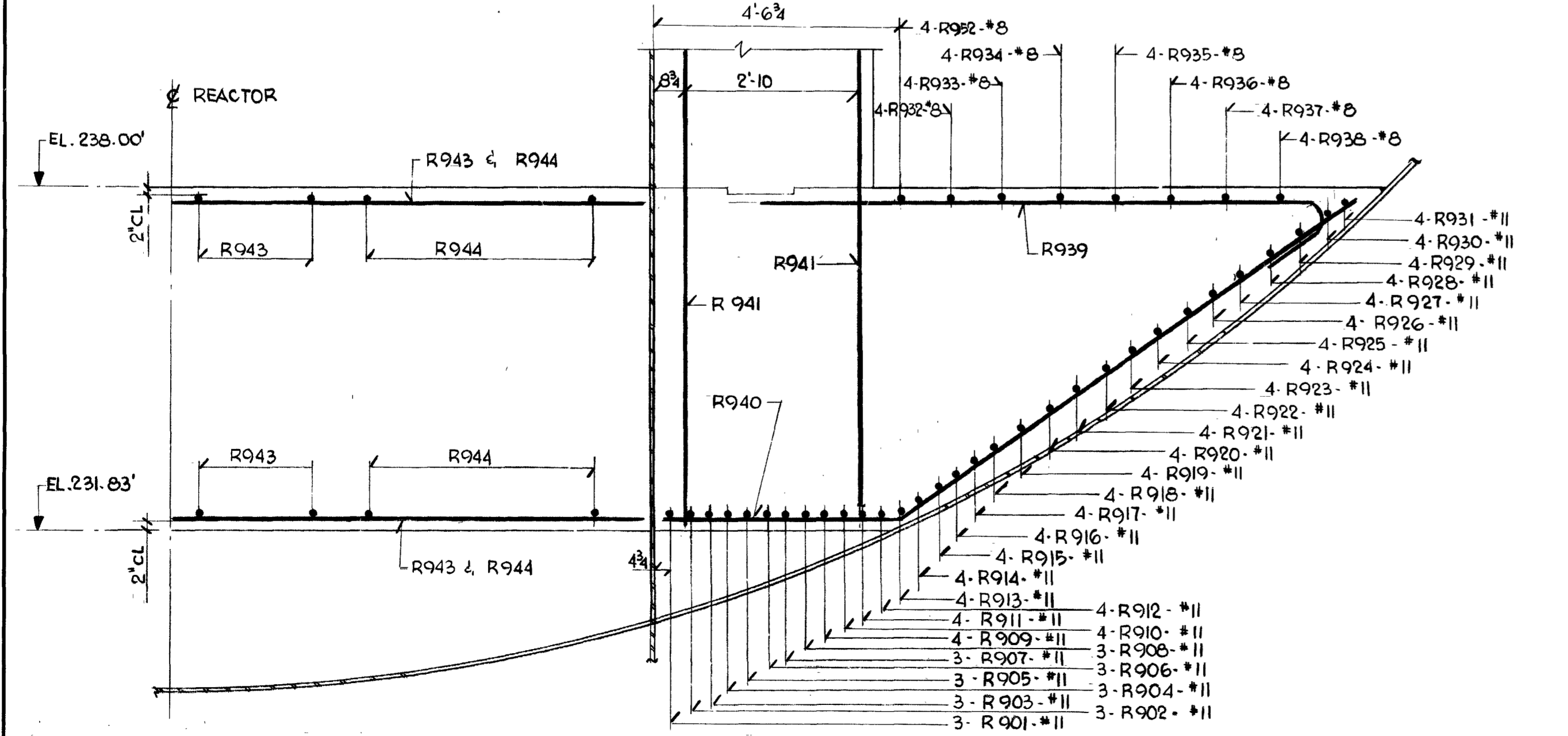
SECT. B-B ()



DETAIL "C"



SECT. D-D (K)



DETAIL "A" (J7)

QUANTITIES: (NET BY FIELD UNLESS NOTED)
 CONCRETE CLASS "AA" (4000 PSI) 233.0 CU YD
 FOR REINFORCING BARS SEE BAR BENDING
 SCHEDULE "B" 191433-57

NOTES:
 "AA" (4000 PSI)
 EBASCO 15:65 CONCRETE MASONRY

REFERENCE DRAWINGS:
 LIST OF DRAWINGS A-191134
 R.B. - SUBSTRUCTURE - SECT'S & DET'S - M G-191480
 R.B. - REACTOR VESSEL PEDESTAL M G-191530
 R.B. - PLANS & DETAILS *1, PLUMBING G-191666
 BAR BENDING SCHEDULE B-191433-57
 REACTOR PEDESTAL EMBEDDED STEEL - SHT. 2 G-191711

MANUFACTURERS DRAWINGS:
 VESSEL SUPPORT ARRGMT 5960-44

AS BOLT
 DATE 7-7-72

VERMONT YANKEE NUCLEAR POWER CORPORATION
 VERMONT YANKEE NUCLEAR POWER STATION
 VERNON, VERMONT
 REACTOR BUILDING
 REACTOR VESSEL PEDESTAL MAT- M&R

EBASCO SERVICES INCORPORATED NEW YORK

APPROVED
 DATE MAY 16 1966
 G-191529

NO.	DATE	REVISION	BY	CH.	APPROVED
1	6/22/79	REVISED PER J.O. 99-0069	J.P.A.C.	J.P.A.C.	J.P.A.C.

THIS IS AN FSAR DRAWING

DESIGNED BY: J.P.A.C.
 DRAWN BY: J.P.A.C.
 CHECKED BY: J.P.A.C.
 APPROVED BY: J.P.A.C.