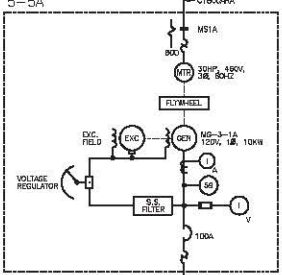
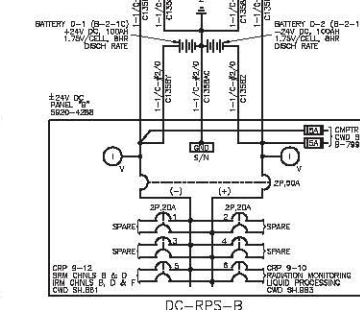
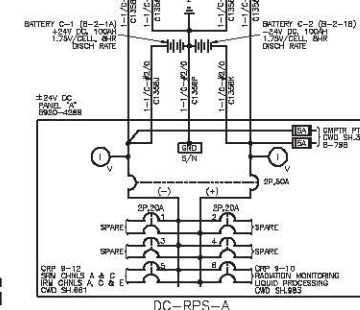
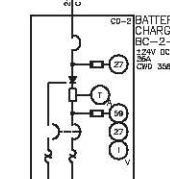
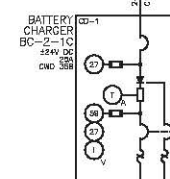
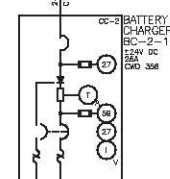
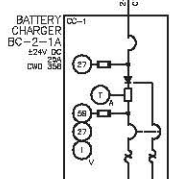
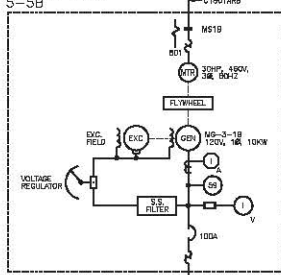


LOCAL PANEL 5-5A



LOCAL PANEL 5-5B



± 24V DC NEUTRON MONITORING SYSTEM

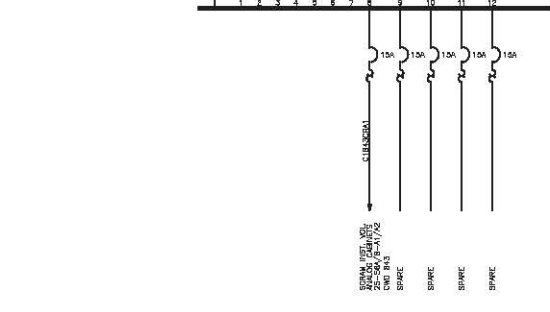
RPS BUS A 120V, 10, 2W, GRD. NEUT. 225A



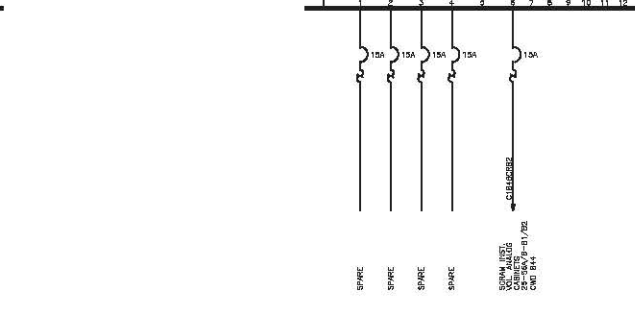
120V AC REACTOR PROTECTION SYSTEM (LOCAL PANEL RPS-5-6)



RPS BUS A SUB PANEL RPS-5-6A 120V, 10, 2W, GRD



RPS BUS B SUB PANEL RPS-5-6B 120V, 10, 2W, GRD



- NOTES:
- FOR NOTES AND SYMBOL LEGEND, SEE DWG. P-191372 SH 1 OF 2.
 - EACH ± 24V BATTERY NEUTRAL IS TAKEN TO GPP 9-12 THROUGH INSULATED INDEPENDENT CABLES AND CONNECTED THERE TO THE STATION GROUND GRID.
 - THE RPS POWER PROTECTION PANELS (RPS-5-6) ENHANCE THE RPS BUS (1/3 SCRAM) WHEN UNDESIRABLE POWER QUALITY IS DETECTED. THE RPS BUS IS THE POWER SUPPLY AND POWER SUPPLY CABLES ARE MINS. REFERENCE UPFOR SECTION 7.2.

REFERENCES:

POWER PANEL SCHEDULES	DC ASSIGNMENTS
DC-RPS-A	A-191363-RPS-A
DC-RPS-B	A-191363-RPS-B
DP-RPS-2A	A-191363-DP-RPS-2A
DP-RPS-2B	A-191363-DP-RPS-2B
RPS-5-6A	A-191363-RPS-5-6A
RPS-5-6B	A-191363-RPS-5-6B

REV	DESCRIPTION	BY	CHKD.	APPR.
17	REVISED PER EC 30014	3-8-18	WD	IN AS
16	REVISED PER EC 24553	2-11-12	WD	IN AS

ENERGY NUCLEAR VERMONT YAWEE
VERMONT, VERMONT

DRAWING TITLE: 24V DC NEUTRON MONITORING & 120V AC RPS ONE LINE DIAGRAM

DRAWING NO.: G-191372 SH.5

THIS IS AN FSAR DRAWING