

Rodriguez-Luccioni, Hector

From: Rodriguez-Luccioni, Hector
Sent: Thursday, September 17, 2015 3:19 PM
To: 'MaxRLuminox@aol.com'
Cc: Xu, Shirley; Gonzalez, Hipolito
Subject: 5th RAI - Lumondi DBA Luminox e-license renewal
Attachments: Example of engineering drawings.pdf

Mr. Robertson,

As discussed on the phone, the NRC received your letter dated September 8 2015 (ADAMS Accession No. ML15253A193) which responds to our fourth request for additional information dated August 13, 2015. In reviewing your response letter, we have determined additional information is required to complete our review. In our letter dated August 13, 2015, we requested drawings that describe the construction aspects of the products including components of the product, material of construction, dimensions, assembly methods, and source containment and shielding. Particularly, these drawings should show the locations of the sources. In your response dated September 08, 2015, you provided a picture of the front view of every one of your watches series with the sources circled and with the dimension of the watch. Also you provided a side cut-away view of the watch case and pointed out the sources in the dialring and in the bezel. The information you provided is incomplete. The side cut-away view of the watch is missing the source location of the hands. In addition the face of the watch is missing some measurement information, such as the distance between the edge of the dial and the source. Please provide a complete engineering drawing of the product (timepiece) that describe the construction aspects of the products including components of the product, material of construction, dimensions, assembly methods, and source containment and shielding. Please make sure the engineering drawings includes the locations of the sources. Attached, for your information, is an example of engineering drawings for a gunsight that show different views of the gunsight with dimensions and locations of sources.

Any correspondence regarding your application should reference the control number 586355. Please submit the requested information in an official signed letter by October 5, 2015. If we have not received complete information by October 5, 2015, we will assume that you do not wish to pursue your application, and we will take regulatory action to your current NRC License, 04-23929-01E.

Please be aware that upon your request, proprietary information submitted to the NRC may be withheld from public disclosure. To do this, you must follow the procedures in 10 CFR 2.390(b) including requesting withholding at the time the information is submitted and complying with the document marking and affidavit requirements set forth in 10 CFR 2.390 (b)(1).

In accordance with 10 CFR 2.390 a copy of this email will be available electronically for public inspection in NRC's Public Document Room or from the Publicly Available Records (PARS) component of NRC's document system (ADAMS). ADAMS is accessible from the NRC web site at <http://www.nrc.gov/NRC/ADAMS/index.html> (the Public Electronic Reading Room).

If you have any questions, please contact me.

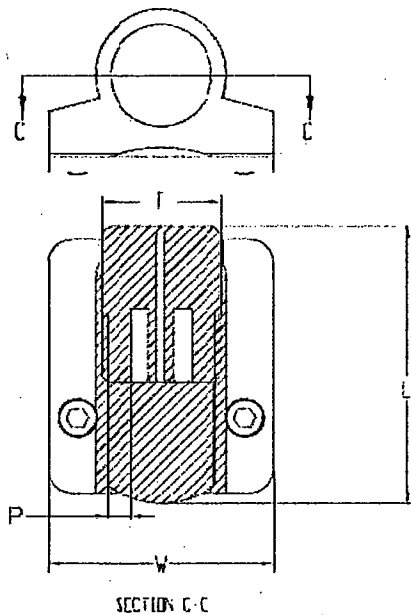
Hector Luis Rodríguez-Luccioni, Ph.D.

*U.S. Nuclear Regulatory Commission
Office of Nuclear Material Safety and Safeguards
Division of Materials Safety, States, Tribal and Rulemaking Programs
Material Safety Licensing Branch
(301)415-6004
MS: T-8E18*

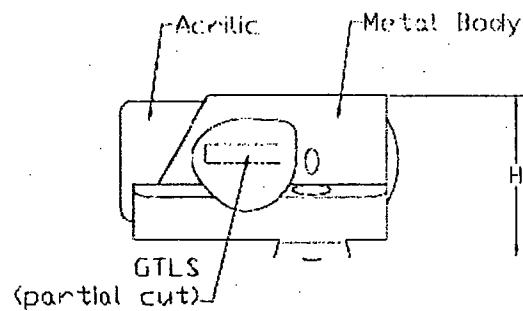
REGISTRY OF RADIOACTIVE SEALED SOURCES AND DEVICES
 SAFETY EVALUATION OF DEVICE
 (AMENDED IN ITS ENTIRETY)

NO. : NR-1119-D-101-E DATE: March 11, 2014 ATTACHMENT 1 OF 24

	TYPE C1		ML-631XX
	MIN	MAX	NOMINAL
L	10	70	23.2
W	6	35	18.8
H	5	35	13.7
T	6	30	9
P	MINIMUM PROTECTIVE DISTANCE TO LIGHT SOURCE		0.50 MM

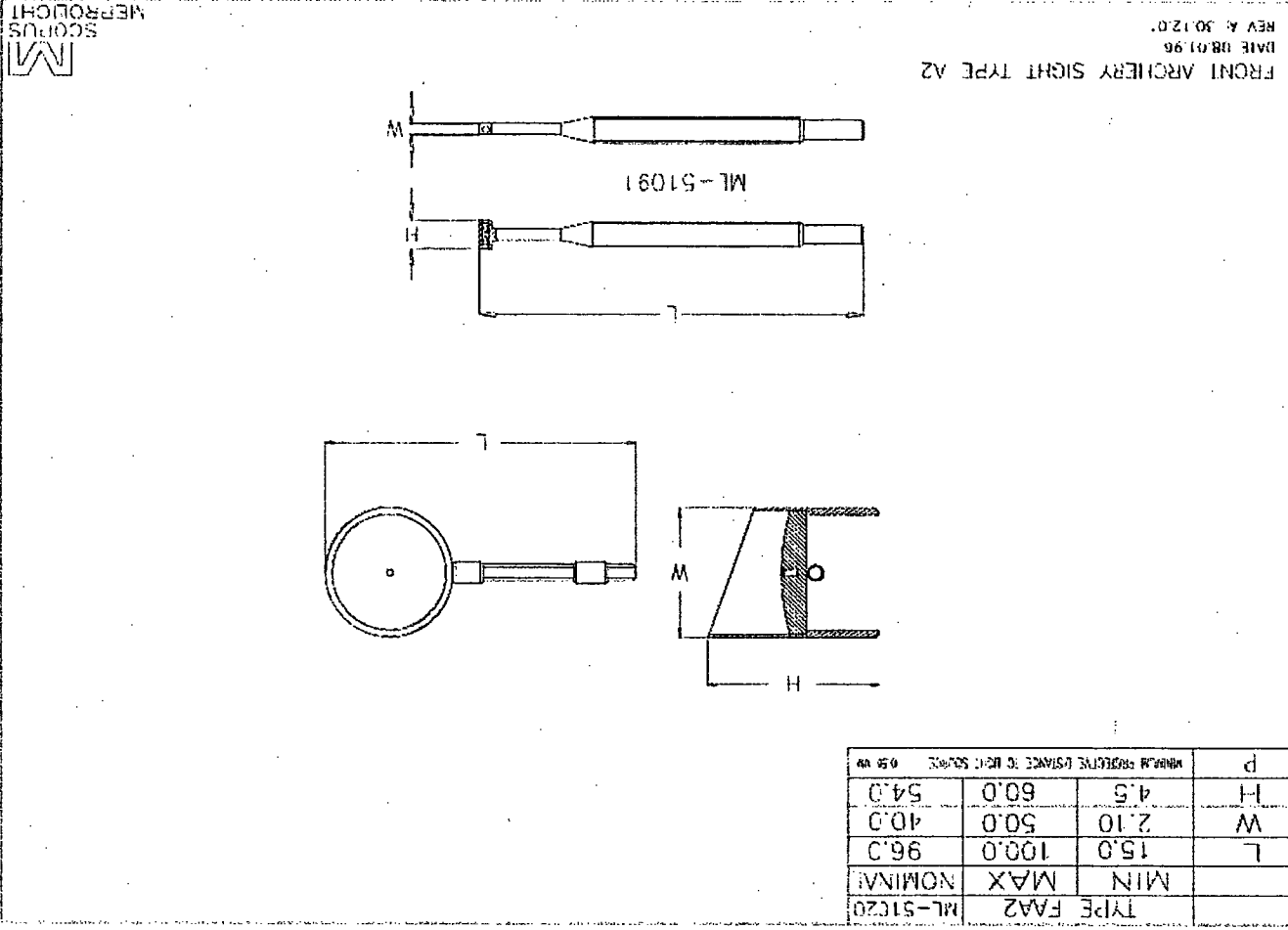


SIGHT TYPE C1
 DATE 11.7.06



REGISTRY OF RADIOACTIVE SEALED SOURCES AND DEVICES
 SAFETY EVALUATION OF DEVICE
 (AMENDED IN ITS ENTIRETY)

NO.: NR-1119-D-101-E DATE: March 11, 2014 ATTACHMENT 2 OF 24

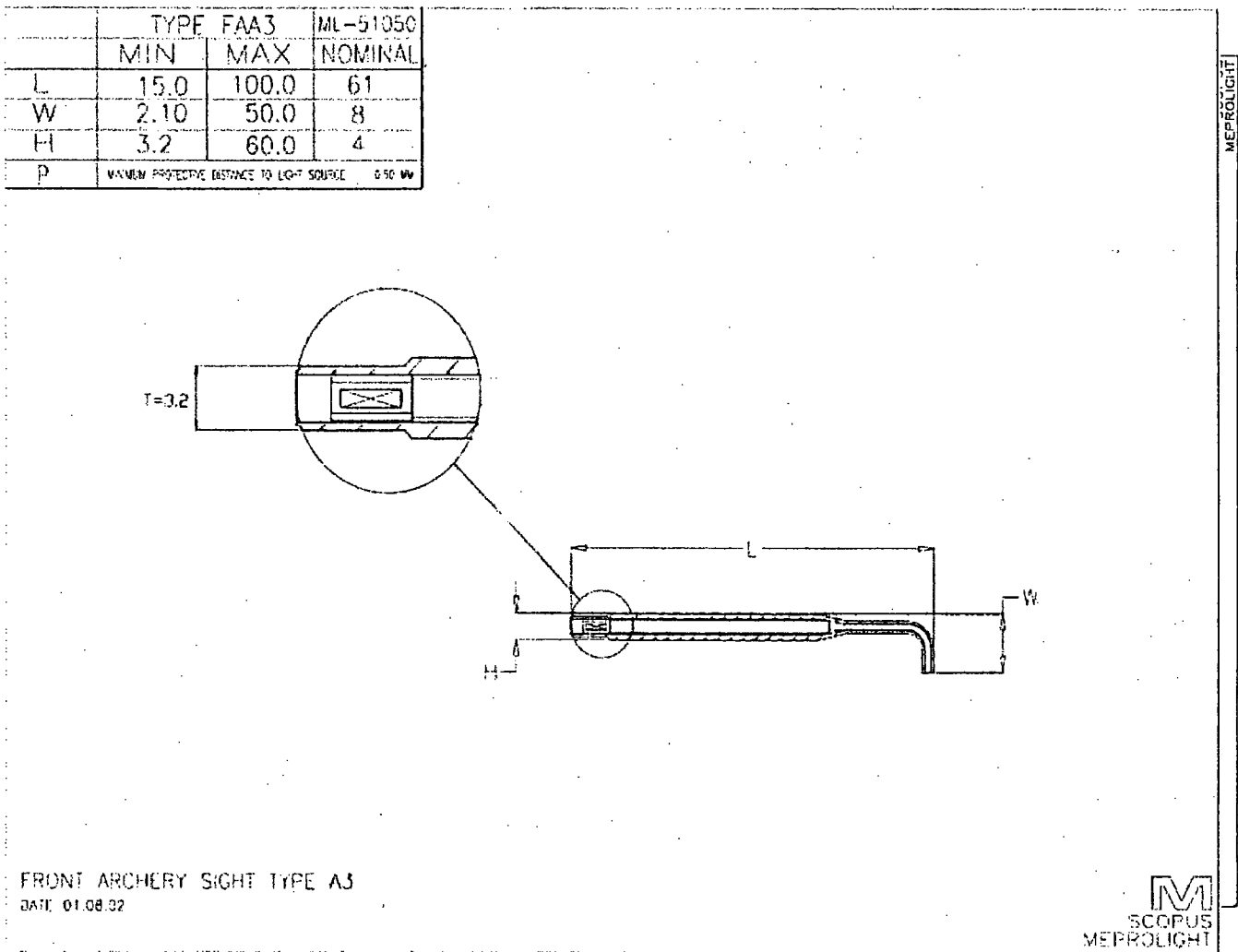


TYPE FAA2	ML-51C20	MIN	MAX	NOMINAL
L	15.0	100.0	96.0	
W	2.10	50.0	40.0	
H	4.5	60.0	54.0	
P	MINIMUM PROJECTIVE DISTANCE TO BULL'S EYE			

FRONT ARCHERY SIGHT TYPE A2
 DATE 08/01/96
 REV A 3012/01

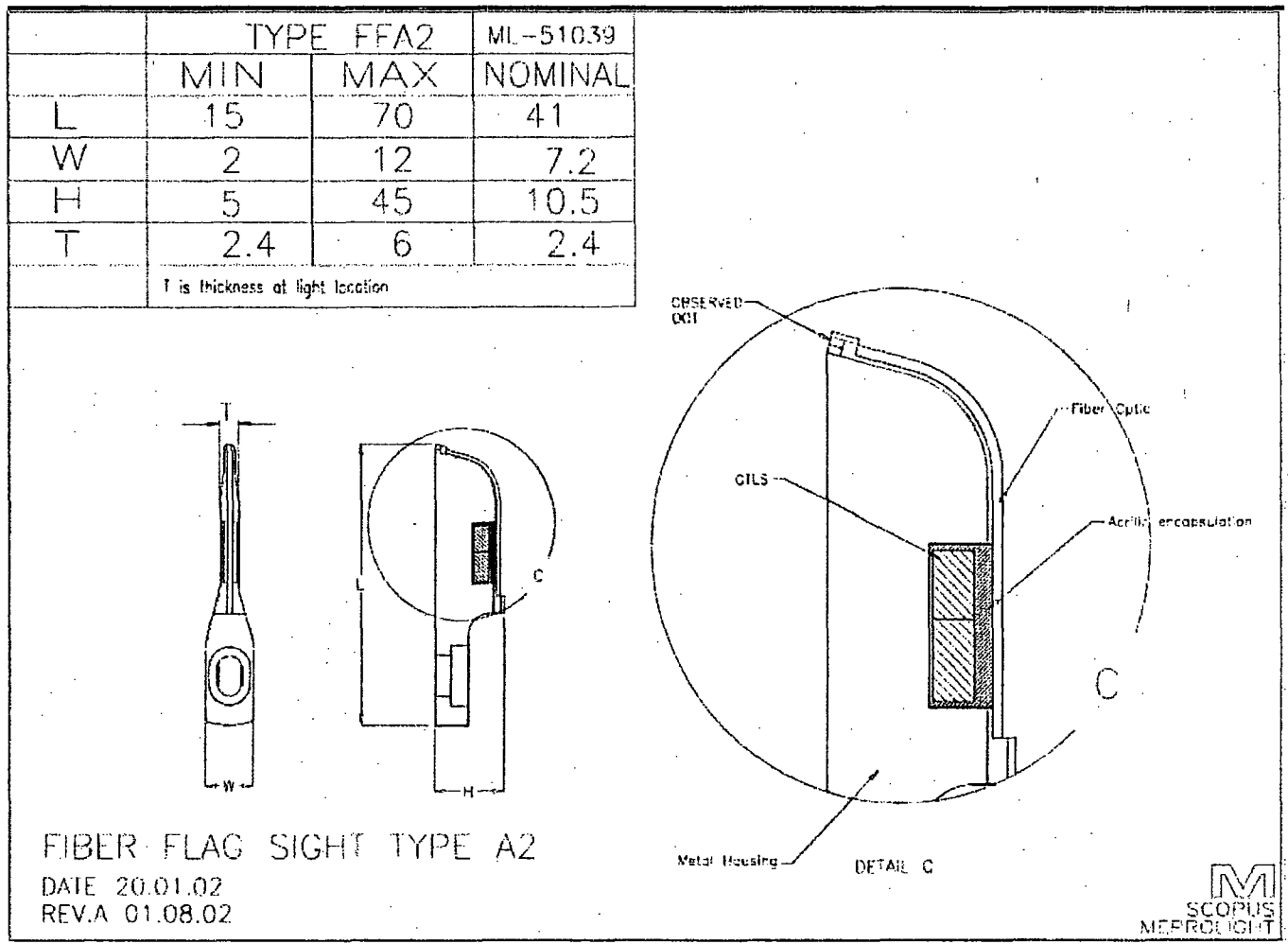
REGISTRY OF RADIOACTIVE SEALED SOURCES AND DEVICES
 SAFETY EVALUATION OF DEVICE
 (AMENDED IN ITS ENTIRETY)

NO. : NR-1119-D-101-E DATE: March 11, 2014 ATTACHMENT 3 OF 24



REGISTRY OF RADIOACTIVE SEALED SOURCES AND DEVICES
 SAFETY EVALUATION OF DEVICE
 (AMENDED IN ITS ENTIRETY)

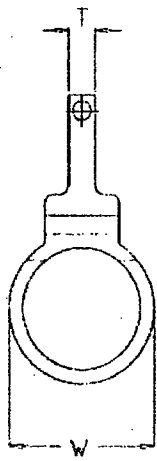
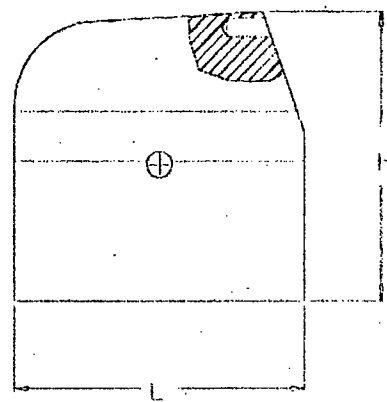
NO. : NR-1119-D-101-E DATE: March 11, 2014 ATTACHMENT 4 OF 24




REGISTRY OF RADIOACTIVE SEALED SOURCES AND DEVICES
 SAFETY EVALUATION OF DEVICE
(AMENDED IN ITS ENTIRETY)

NO. : NR-1119-D-101-E DATE: March 11, 2014 ATTACHMENT 5 OF 24

TYPE FRSA3		ML-30922	
	MIN	MAX	NOMINAL
L	15.0	50.0	35
W	10.0	30.0	17.5
H	15.0	40.0	33.5
T	2.5	6	3.2
P	MINIMUM PROTECTIVE DISTANCE TO LIGHT SOURCE		0.50 MV.

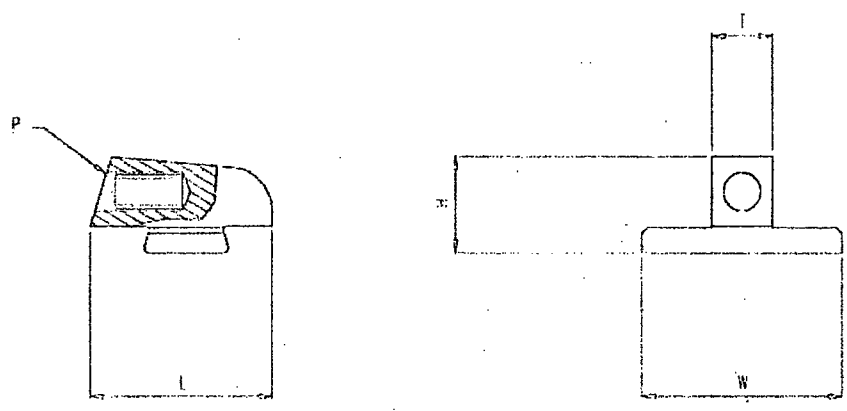
FRONT RIFLE SIGHT TYPE A3
DATE 20.01.02



REGISTRY OF RADIOACTIVE SEALED SOURCES AND DEVICES
 SAFETY EVALUATION OF DEVICE
 (AMENDED IN ITS ENTIRETY)

NO. : NR-1119-D-101-E DATE: March 11, 2014 ATTACHMENT 6 OF 24

	TYPE FSA1		ML-710
	MIN	MAX	NOMINAL
L	6.5	20.0	10.9
W	3.0	20.0	12.0
H	4.2	13.0	5.6
T	2.8	4.5	3.6
P	MINIMUM PROTECTIVE DISTANCE TO LIGHT SOURCE		0.50 MM.



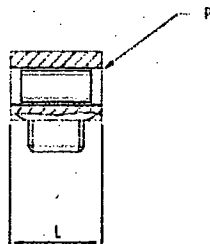
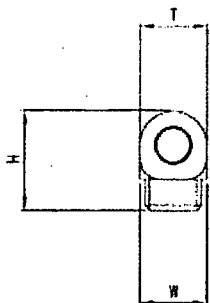
FRONT SIGHT TYPE A1
 DATE 13.09.92
 Rev A: 20.01.02



REGISTRY OF RADIOACTIVE SEALED SOURCES AND DEVICES
SAFETY EVALUATION OF DEVICE
(AMENDED IN ITS ENTIRETY)

NO. : NR-1119-D-101-E DATE: March 11, 2014 ATTACHMENT 7 OF 24

	TYPE FSAC		ML-405
	MIN	MAX	NOMINAL
L	5.0	17.0	5.5
W	2.5	7.7	3.4
H	5.0	25	5.8
T	3.0	4.5	4.0
P	MINIMUM PROTECTIVE DISTANCE TO LIGHT SOURCE		0.50 MM



FRONT SIGHT TYPE A2

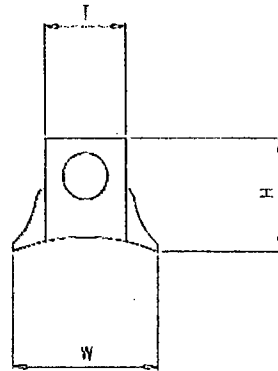
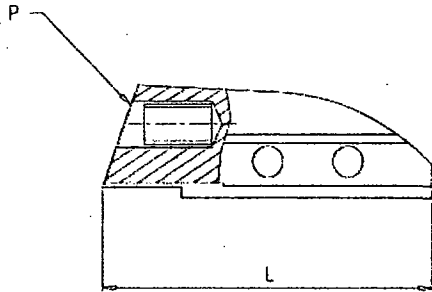
DATE 13.09.92
Rev B: 14.06.06

M
SCOPUS
MCPROLIGHT

REGISTRY OF RADIOACTIVE SEALED SOURCES AND DEVICES
 SAFETY EVALUATION OF DEVICE
 (AMENDED IN ITS ENTIRETY)

NO. : NR-1119-D-101-E DATE: March 11, 2014 ATTACHMENT 8 OF 24

	TYPE FSA3		ML-762
	MIN	MAX	NOMINAL
L	10.0	20.0	16.4
W	3.0	12.0	7.2
H	5.0	16.2	5.4
T	2.8	4.5	4.0
P	MINIMUM PROTECTIVE DISTANCE TO LIGHT SOURCE		0.50 MM.



FRONT SIGHT TYPE A3

DATE 13.09.92

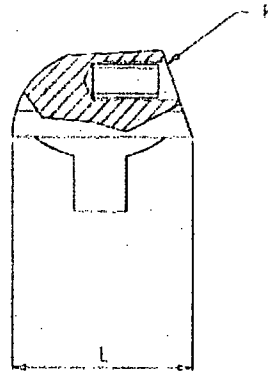
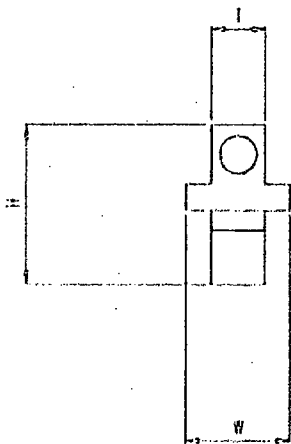
Rev A: 20.01.02



REGISTRY OF RADIOACTIVE SEALED SOURCES AND DEVICES
 SAFETY EVALUATION OF DEVICE
 (AMENDED IN ITS ENTIRETY)

NO.: NR-1119-D-101-E DATE: March 11, 2014 ATTACHMENT 9 OF 24

	TYPE FSA4		ML-776
	MIN	MAX	NOMINAL
L	9.0	17.0	10.5
W	4.0	7.0	6.2
H	5.5	12.0	8.9
T	3.0	4.5	3.2
P	MINIMUM PROTECTIVE DISTANCE TO LIGHT SOURCE		0.50 MM



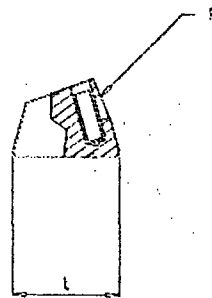
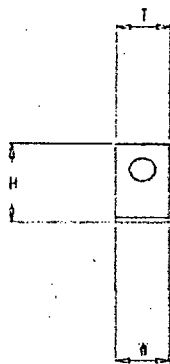
FRONT SIGHT TYPE A4
 DATE 13.09.92
 Rev A: 20.01.02



REGISTRY OF RADIOACTIVE SEALED SOURCES AND DEVICES
 SAFETY EVALUATION OF DEVICE
 (AMENDED IN ITS ENTIRETY)

NO.: NR-1119-D-101-E DATE: March 11, 2014 ATTACHMENT 10 OF 24

	TYPE FSB1		ML-200A
	MIN	MAX	NOMINAL
L	6.5	7.0	6.6
W	3.0	4.5	3.2
H	4.2	5.0	4.4
T	2.8	3.5	3.2
P	MINIMUM PROTECTIVE DISTANCE TO LIGHT SOURCE		0.50 MV.



FRONT SIGHT TYPE B1

DATE 13.09.92
 Rev A: 20.01.02



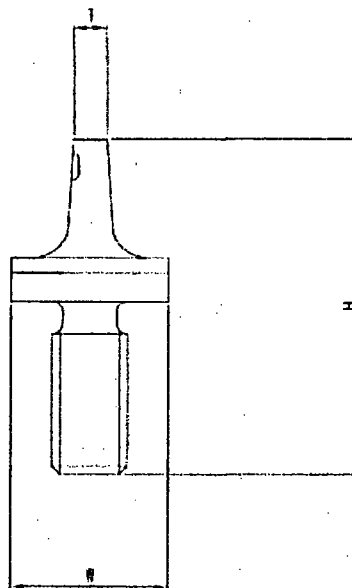
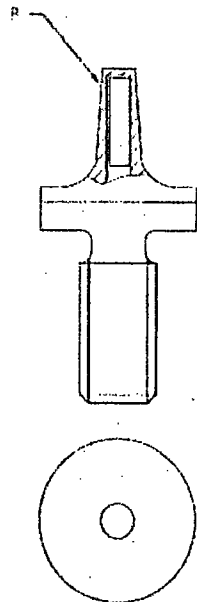
REGISTRY OF RADIOACTIVE SEALED SOURCES AND DEVICES
SAFETY EVALUATION OF DEVICE
(AMENDED IN ITS ENTIRETY)

NO. : NR-1119-D-101-E DATE: March 11, 2014 ATTACHMENT 11 OF 24

	TYPE FSB2		ML-1160
	MIN	MAX	NOMINAL
L	5.0	5.5	—
W	2.5	15.0	∅9.4
H	6.0	62.0	19.5
T	2.0	4.5	∅2.0
P	MINIMUM PROTECTIVE DISTANCE TO LIGHT SOURCE		0.50 VM

SIGHT MODELS WITH T* of 0.30mm MINIMUM

MODEL	DESCRIPTION
ML-1150	AR15/M16 with open rear sight (4-slot front)
ML-115P	AR15/M16 with peep rear sight (4-slot front)
ML-1160	AR15/M16 with open rear sight (5-slot front)
ML-116P	AR15/M16 with peep rear sight (5-slot front)
ML-300A	Mini-Uzi & Coltine with adjustable rear
ML-300N	Uzi Carbine with non-adjustable rear
ML-310	Kalashnikov AK-47 rifle
ML-311	Sironov SKS rifle



FRONT SIGHT TYPE B2

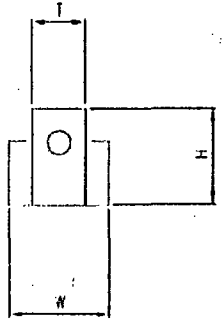
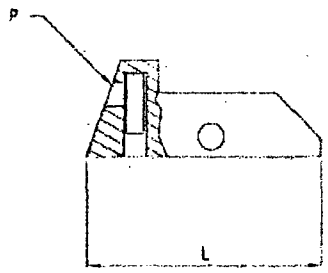
DATE 13.09.92
Rev B: 20.01.02

M
SCOPUS
MEPROLIGHT

REGISTRY OF RADIOACTIVE SEALED SOURCES AND DEVICES
 SAFETY EVALUATION OF DEVICE
 (AMENDED IN ITS ENTIRETY)

NO. : NR-1119-D-101-E DATE: March 11, 2014 ATTACHMENT 12 OF 24

	TYPE FSB3		ML-250
	MIN	MAX	NOMINAL
L	12.0	20.0	14.0
W	5.0	7.0	6.0
H	5.0	7.0	5.6
T	3.0	3.5	3.2
P	MINIMUM PROTECTIVE DISTANCE TO LIGHT SOURCE		0.50 MV



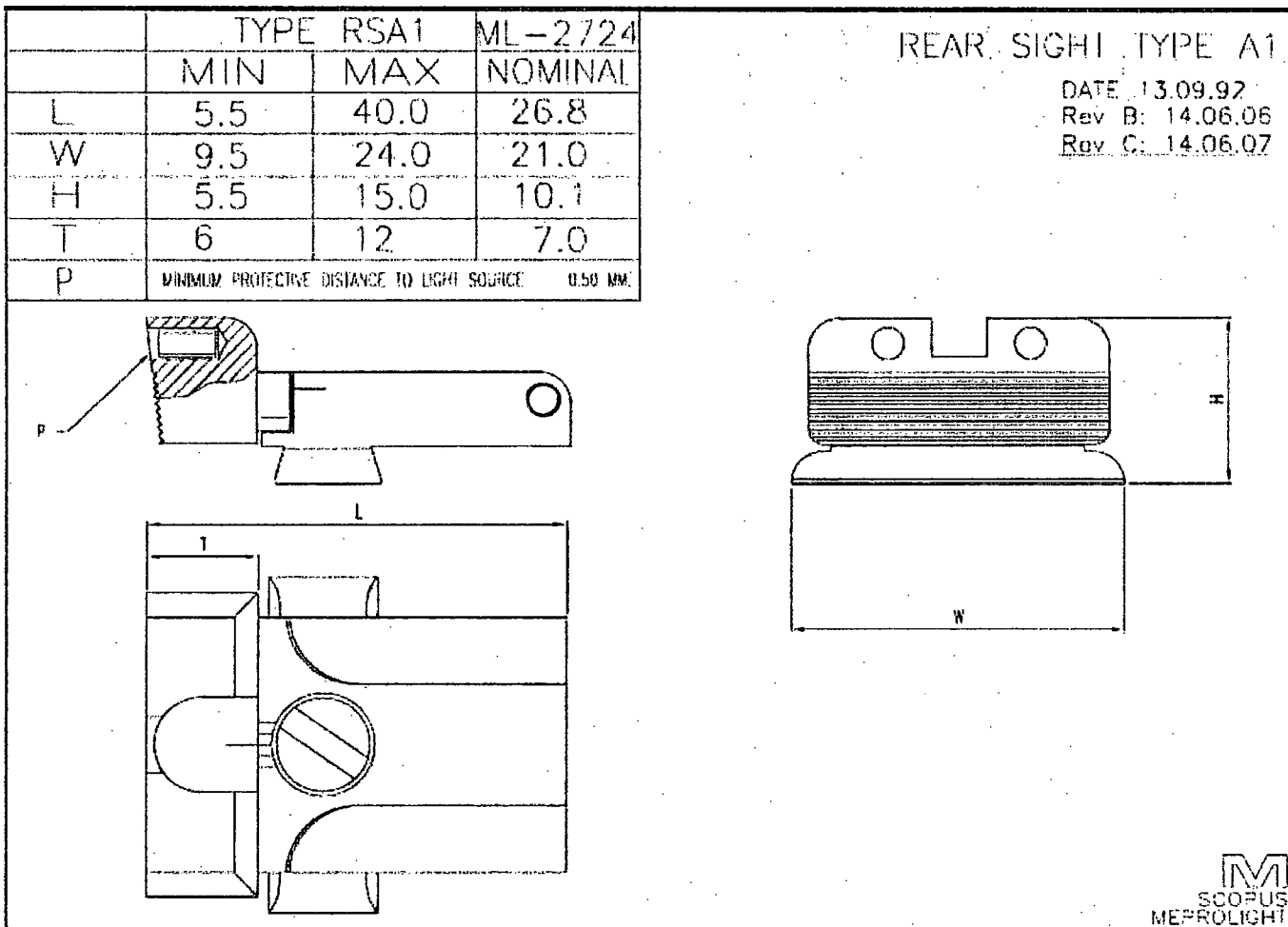
FRONT SIGHT TYPE B3

DATE 13.09.92
 Rev A: 20.01.02



REGISTRY OF RADIOACTIVE SEALED SOURCES AND DEVICES
 SAFETY EVALUATION OF DEVICE
(AMENDED IN ITS ENTIRETY)

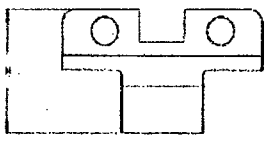
NO.: NR-1119-D-101-E DATE: March 11, 2014 ATTACHMENT 13 OF 24

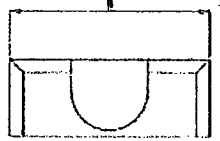


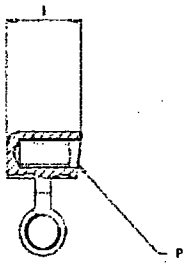
REGISTRY OF RADIOACTIVE SEALED SOURCES AND DEVICES
 SAFETY EVALUATION OF DEVICE
 (AMENDED IN ITS ENTIRETY)

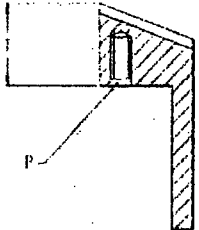
NO. : NR-1119-D-101-E DATE: March 11, 2014 ATTACHMENT 14 OF 24

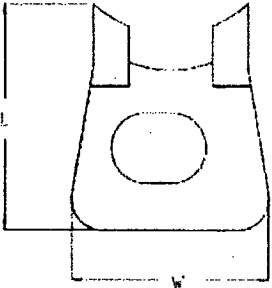
	TYPE RSA2		MI. - 2700
	MIN	MAX	NOMINAL
L	4	20	5.3
W	10.0	19.0	15.5
H	6.0	10.0	9.2
T	4.0	7.0	5.8
P	MINIMUM PROTECTIVE DISTANCE TO LIGHT SOURCE		0.50 MM.















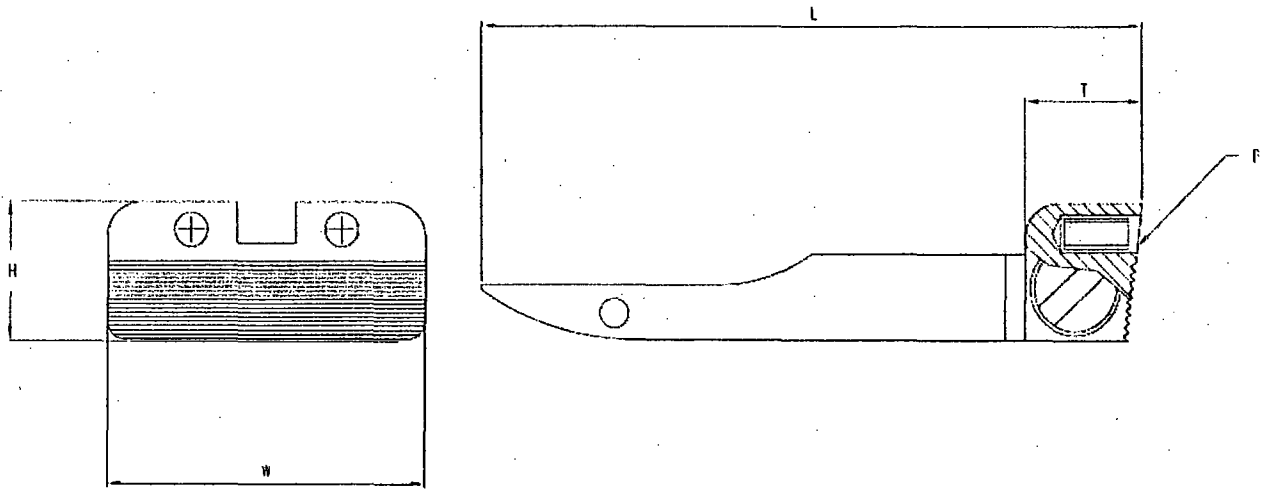
REAR SIGHT TYPE A2
 DATE 13.09.92
 Rev A: 20.01.02



REGISTRY OF RADIOACTIVE SEALED SOURCES AND DEVICES
 SAFETY EVALUATION OF DEVICE
 (AMENDED IN ITS ENTIRETY)

NO.: NR-1119-D-101-E DATE: March 11, 2014 ATTACHMENT 15 OF 24

	TYPE RSA3		ML-2772
	MIN	MAX	NOMINAL
L	8.0	65.0	39.5
W	10.0	21.0	19.0
H	5.0	15.2	7.9
T	4.5	10.0	7.0
P	MINIMUM PROTECTIVE DISTANCE TO LIGHT SOURCE		0.50 MM.



REAR SIGHT TYPE A3

Date: 13.09.92
 Rev B: 14.06.06



REGISTRY OF RADIOACTIVE SEALED SOURCES AND DEVICES
 SAFETY EVALUATION OF DEVICE
 (AMENDED IN ITS ENTIRETY)

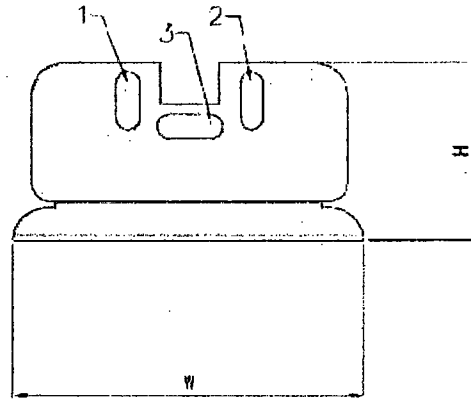
NO. : NR-1119-D-101-E DATE: March 11, 2014 ATTACHMENT 16 OF 24

REAR SIGHT TYPE A4

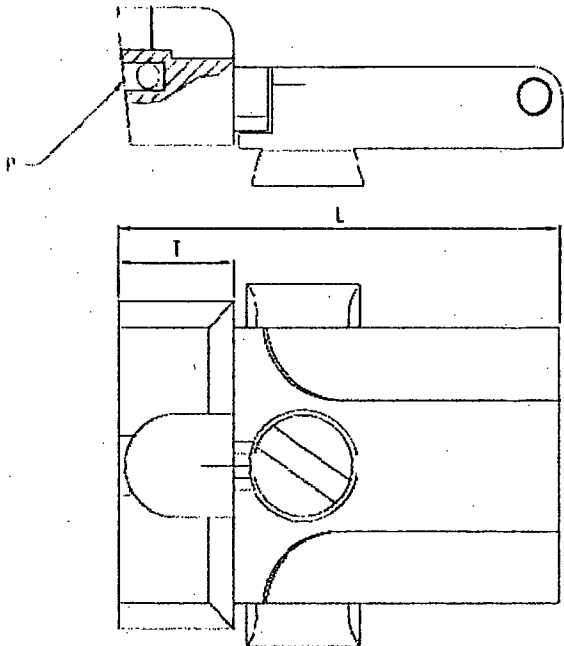
DATE: 14.06.06

Light Options:

1. 1+2-3
2. 1+2
3. 3



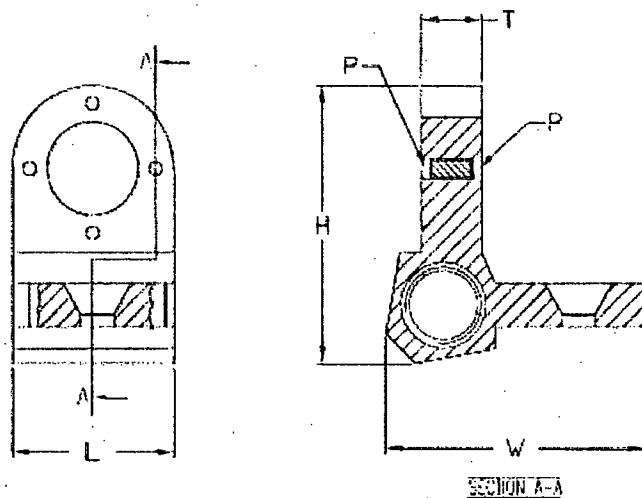
	TYPE RSA4		M: 20777
	MIN	MAX	NOMINAL
L	5.5	40.0	25.8
W	9.5	24.0	21.0
H	5.5	15.0	10.1
T	4.5	10.0	7.0
P	MINIMAL PROTECTIVE DISTANCE TO LIGHT SOURCE		0.50 MM.



REGISTRY OF RADIOACTIVE SEALED SOURCES AND DEVICES
 SAFETY EVALUATION OF DEVICE
 (AMENDED IN ITS ENTIRETY)

NO.: NR-1119-D-101-E DATE: March 11, 2014 ATTACHMENT 17 OF 24

REAR SIGHT TYPE A5
 DATE 14.06.06
 Rev. A 14.06.07



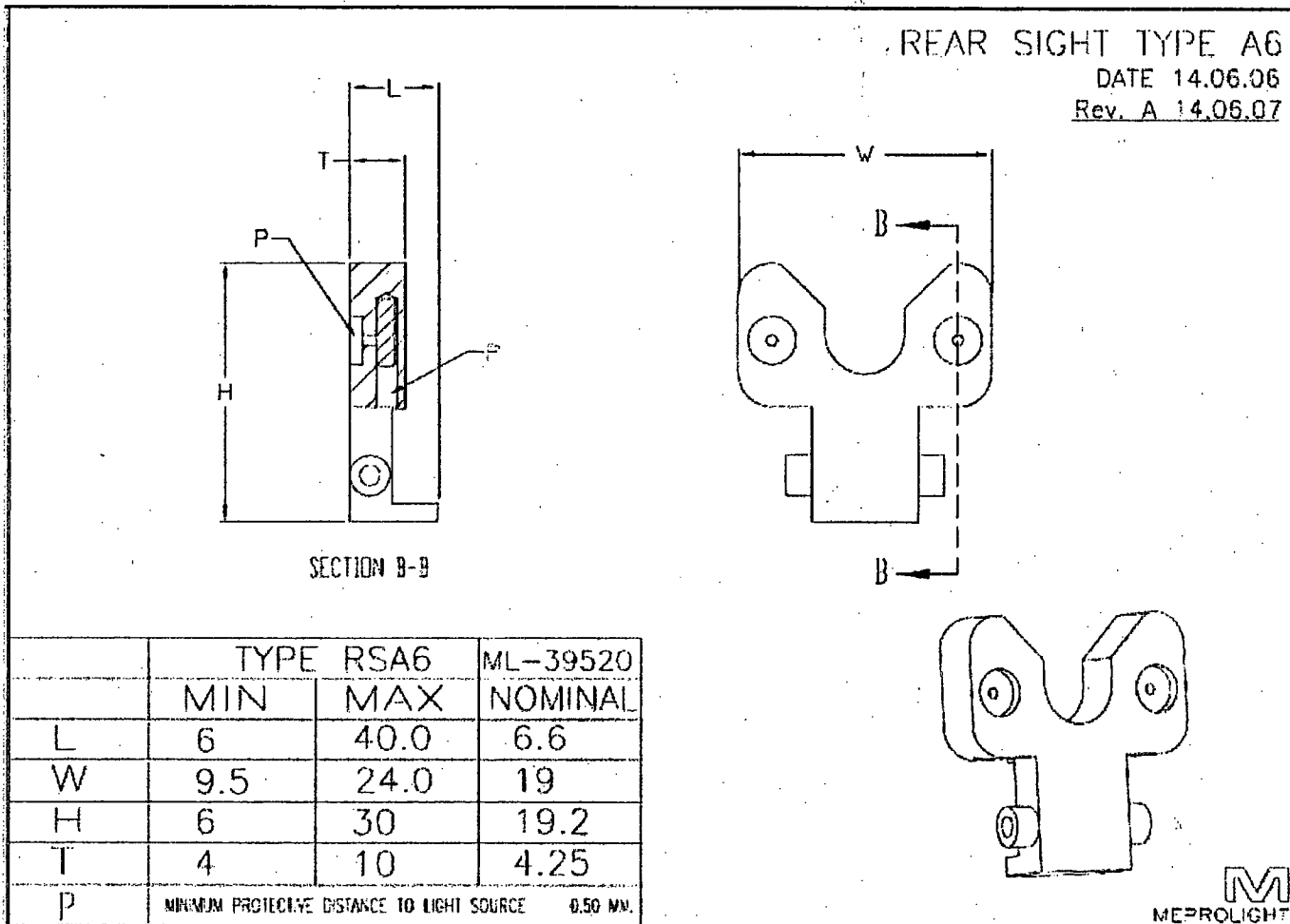
- Light Options:
 1. Two (2) lights on each side
 2. Four (4) lights - Top, Bottom & sides

	TYPE RSA5		ML-31619
	MIN	MAX	NOMINAL
L	5.5	40.0	9.7
W	9.5	24.0	15.8
H	5.5	20.0	15.8
T	3.0	5.5	3.6
P	MINIMUM PROTECTIVE DISTANCE TO LIGHT SOURCE		0.50 MM



REGISTRY OF RADIOACTIVE SEALED SOURCES AND DEVICES
 SAFETY EVALUATION OF DEVICE
 (AMENDED IN ITS ENTIRETY)

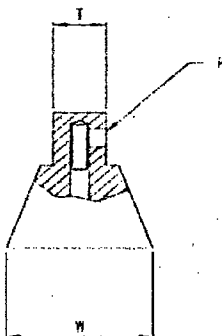
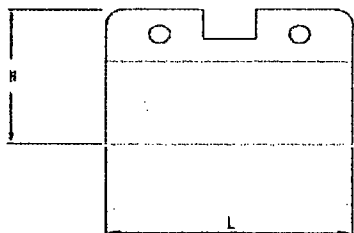
NO. : NR-1119-D-101-E DATE: March 11, 2014 ATTACHMENT 18 OF 24



REGISTRY OF RADIOACTIVE SEALED SOURCES AND DEVICES
 SAFETY EVALUATION OF DEVICE
 (AMENDED IN ITS ENTIRETY)

NO.: NR-1119-D-101-E DATE: March 11, 2014 ATTACHMENT 19 OF 24

	TYPE RSB1		ML-260
	MIN	MAX	NOMINAL
L	12.0	20.0	14.0
W	7.0	12.5	8.4
H	8.0	13.0	9.0
T	2.3	4.0	3.0
P	MINIMUM PROTECTIVE DISTANCE TO LIGHT SOURCE		0.50 MM



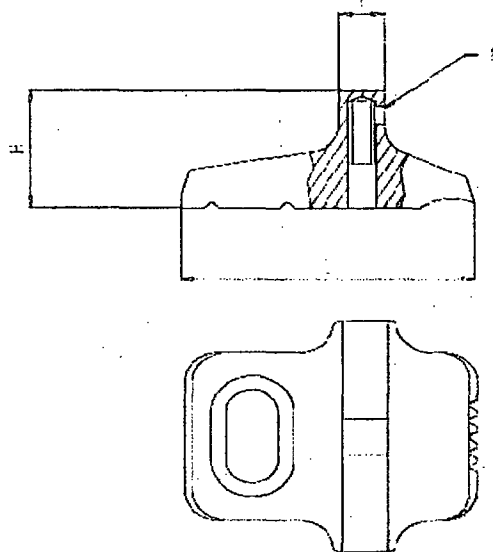
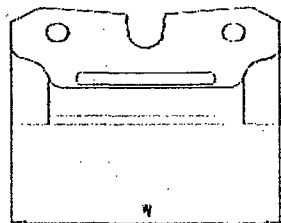
REAR SIGHT TYPE B1
 DATE 13.09.92
 Rev A: 20.01.02



REGISTRY OF RADIOACTIVE SEALED SOURCES AND DEVICES
 SAFETY EVALUATION OF DEVICE
 (AMENDED IN ITS ENTIRETY)

NO. : NR-1119-D-101-E DATE: March 11, 2014 ATTACHMENT 20 OF 24

	TYPE RSB2		ML-460
	MIN	MAX	NOMINAL
L	3.5	18.0	16.7
W	8.0	22.1	15.2
H	4.7	16.5	7.1
T	2.2	4.5	2.6
P	MINIMUM PROTECTIVE DISTANCE TO LIGHT SOURCE		0.50 MM.



REAR SIGHT TYPE B2

DATE 13.09.92
 Rev B: 01.08.02

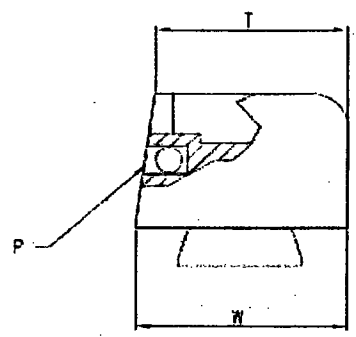
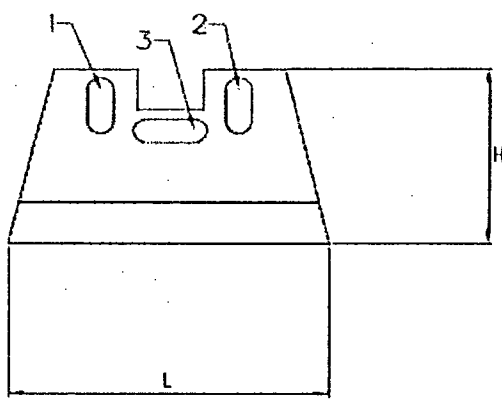


REGISTRY OF RADIOACTIVE SEALED SOURCES AND DEVICES
 SAFETY EVALUATION OF DEVICE
 (AMENDED IN ITS ENTIRETY)

NO. : NR-1119-D-101-E DATE: March 11, 2014 ATTACHMENT 21 OF 24

	TYPE RSB3		ML--10777
	MIN	MAX	NOMINAL
L	12.0	24.0	16.0
W	7.0	34.0	15.3
H	6.0	15.0	8.2
T	7	34	14
P	MINIMUM PROTECTIVE DISTANCE TO LIGHT SOURCE		0.50 MM

- Light Options:
 1. 1+2+3
 2. 1+2
 3. 3

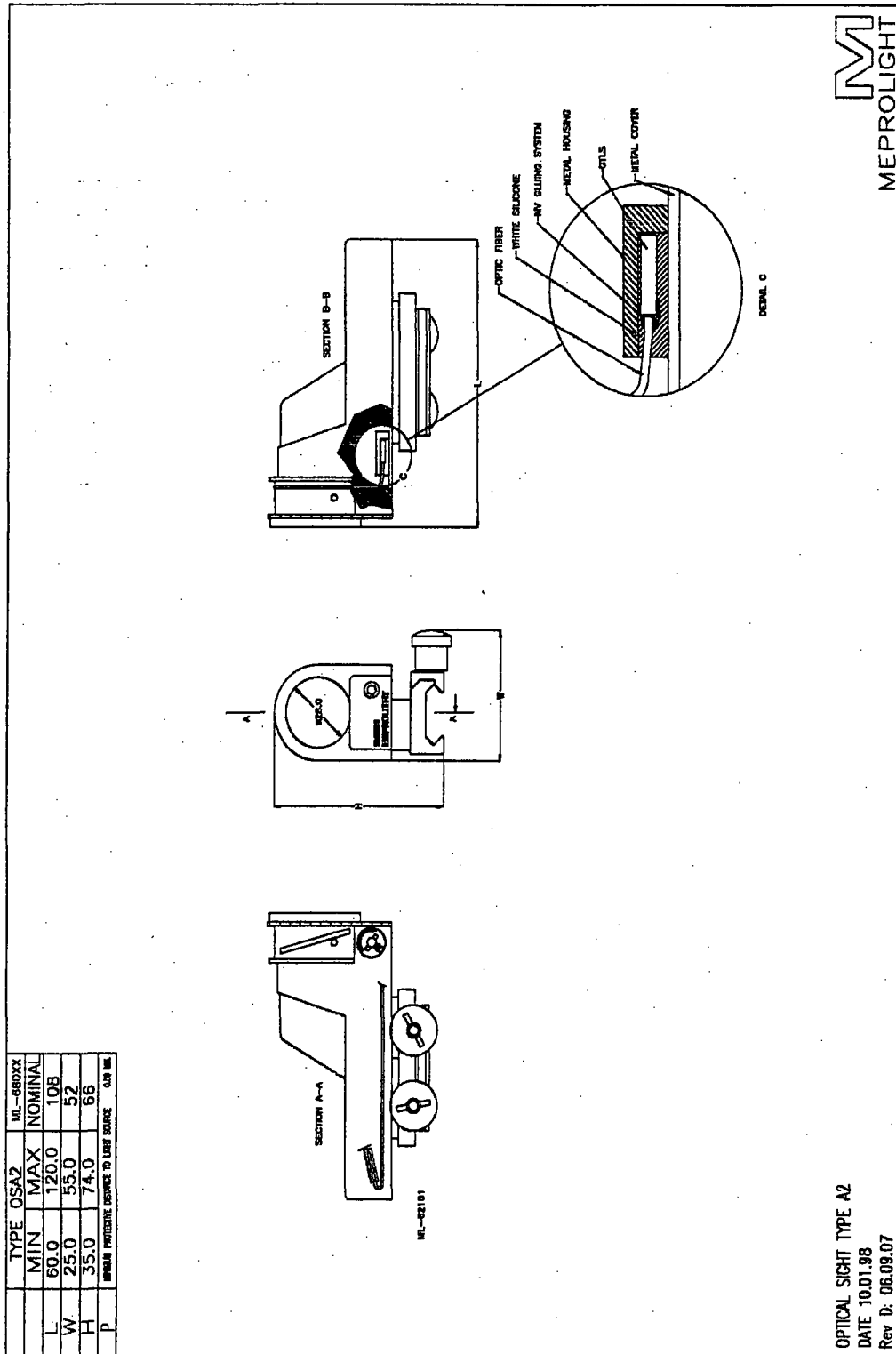


REAR SIGHT TYPE B3
 DATE 14.06.06
 Rev. A 14.06.07



REGISTRY OF RADIOACTIVE SEALED SOURCES AND DEVICES
 SAFETY EVALUATION OF DEVICE
 (AMENDED IN ITS ENTIRETY)

NO.: NR-1119-D-101-E DATE: March 11, 2014 ATTACHMENT 22 OF 24

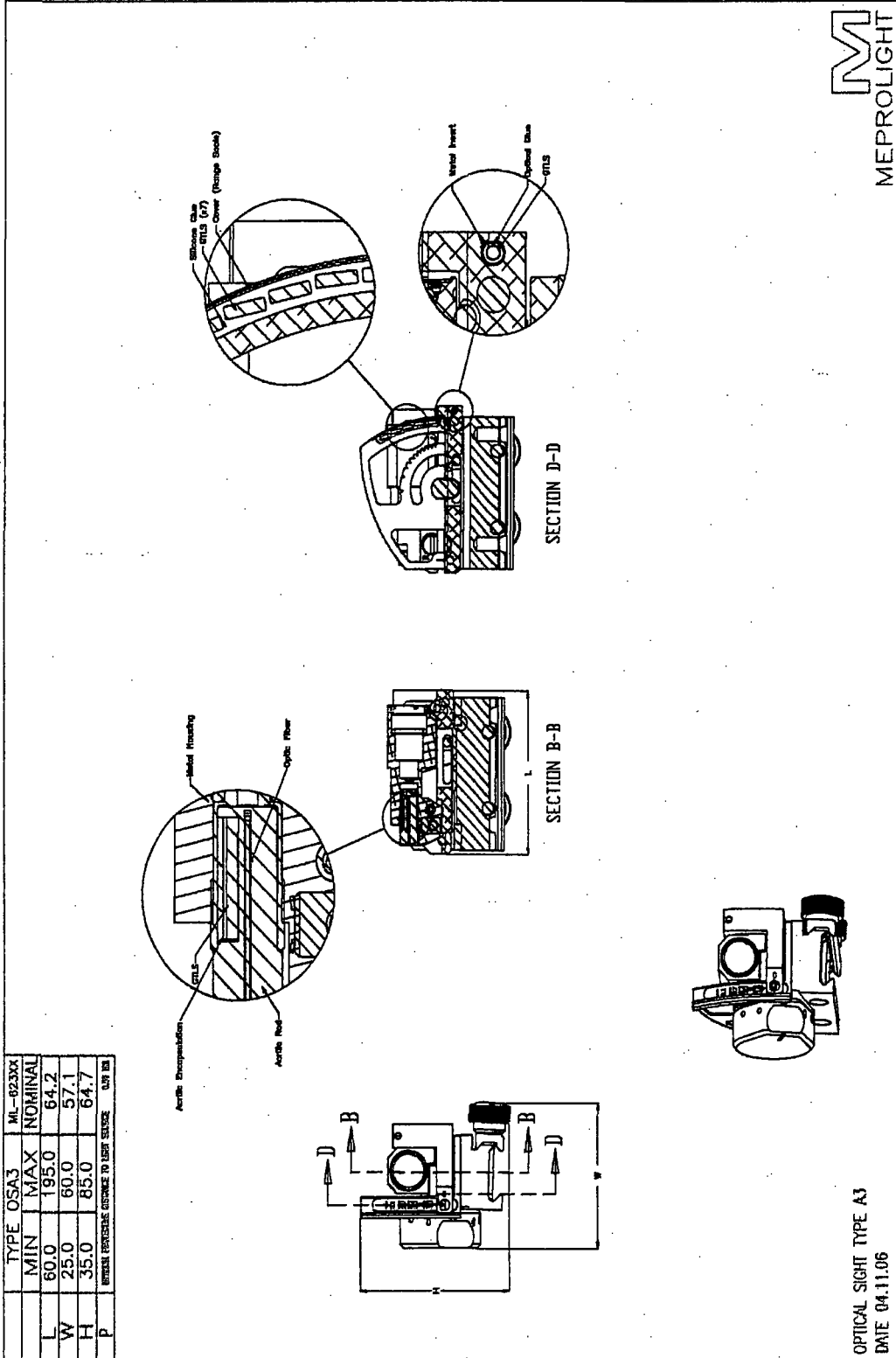


REGISTRY OF RADIOACTIVE SEALED SOURCES AND DEVICES
 SAFETY EVALUATION OF DEVICE
 (AMENDED IN ITS ENTIRETY)

NO.: NR-1119-D-101-E

DATE: April 12, 2010

ATTACHMENT 23 OF 24



REGISTRY OF RADIOACTIVE SEALED SOURCES AND DEVICES
 SAFETY EVALUATION OF DEVICE
 (AMENDED IN ITS ENTIRETY)

NO.: NR-1119-D-101-E

DATE: April 12, 2010

ATTACHMENT 24 OF 24

