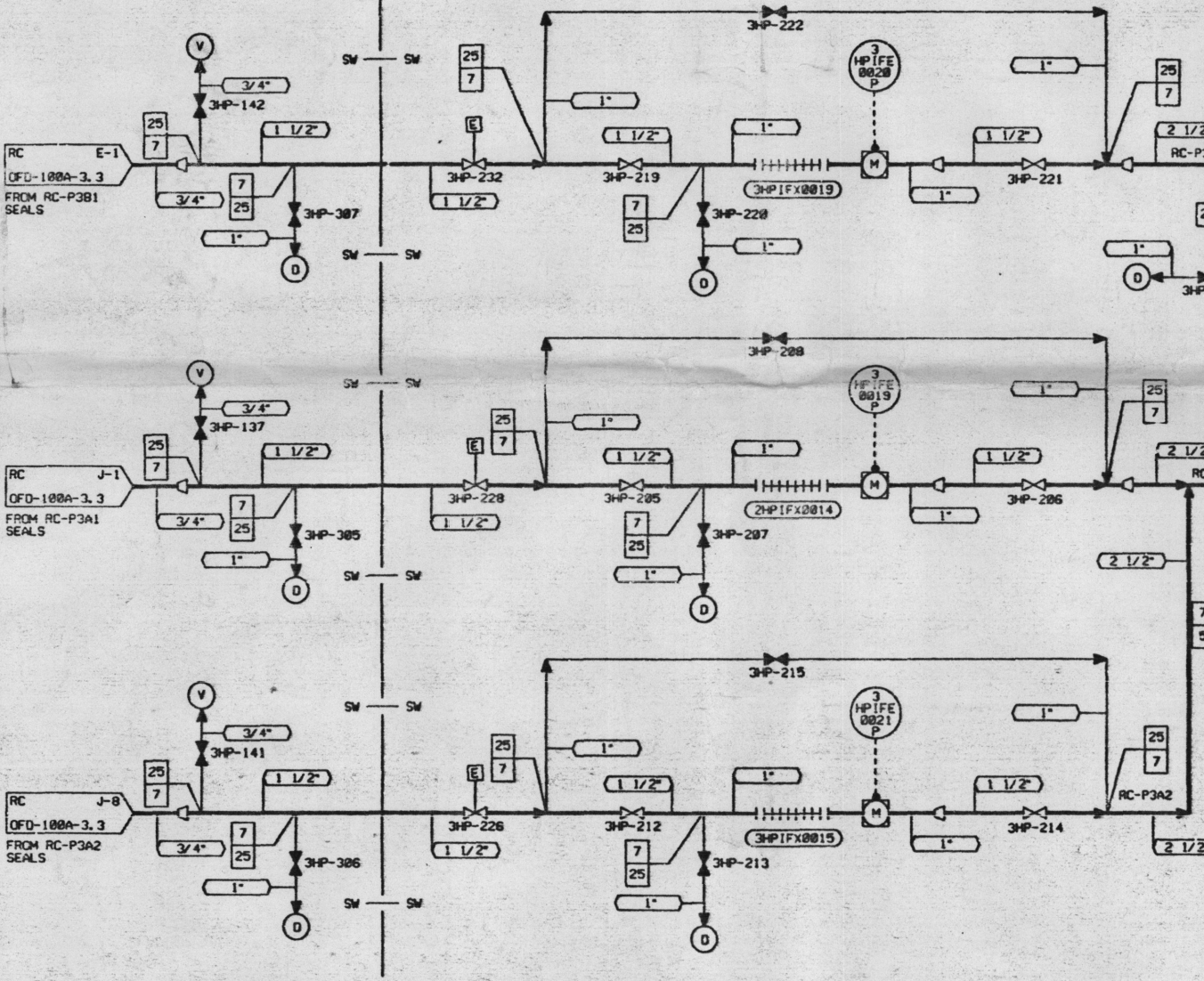


H
G
F
E
D
C
B
A



5D-287
7/14/94
940728018

NOTES:

1. OPERATING MODE REPRESENTED BY BOLD LINES. ONE HP1 PUMP SUPPLYING RC SEAL INJECTION & MAKEUP FLOW.
2. CONNECTION FOR PERFORMING CLASS "C" LEAKAGE TESTS OF RB ISOLATION VALVE & HYDRO TEST.
- 3.
4. 1/2" THRU 12" SCH. = 160
3/8" TUBE = 0.865" WALL; 1/2" TUBE = 0.865" WALL
5. 1/2" THRU 2" SCH. = 40
6. 1/2" THRU 12" SCH. = 180
7. 2 1/2" THRU 12" SCH. = 40
8. 2 1/2" THRU 12" SCH. = 180
9. 14" THRU 18" SCH. = 10
7. RB PEN. SCH. = XXS
8. FOR TRANSITION DETAIL, SEE D-2439C.
9. THE ORIGINAL ISSUE OF THIS DWG. IS BASED ON PO-101A-3, REV. 21 & PO-101B-3, REV. 37.

LINE NO.	DESIGN PRESS.	DESIGN TEMP.	DESIGN CLASS
3	2500 PSIG	650°F	A
4	2500 PSIG	600°F	B
5	2500 PSIG	200°F	B
7	2500 PSIG	200°F	B
8	150 PSIG	200°F	C
9	180 PSIG	200°F	C
14	150 PSIG	200°F	C
21	2500 PSIG	600°F	C
23	2500 PSIG	650°F	AC
24	2500 PSIG	600°F	BC
25	2500 PSIG	200°F	BC
29	2500 PSIG	200°F	C
38	2500 PSIG	200°F	C
37	2500 PSIG	200°F	C
45	2500 PSIG	637°F	C
47	2500 PSIG	200°F	C

ERN:OX000LFT

9407280188