

# Robinson Nuclear Plant

---

---

Transmission Upgrade Pre-Submittal Meeting  
August 26, 2015 1:00 to 4:00 PM



# Agenda

---

---

Opening Remarks/Meeting Objectives

Project Update/LAR Submittal Schedule

LAR Content

Closing Remarks

# Duke Energy Attendees

---

---

- David Carroll                      RNP Manager – Major Projects
  
  - James Riedel                        Transmission Upgrade Project Manager
  
  - Neil Belanger                        Transmission Upgrade Project
  
  - Keith Beatty                        Lead Engineer Electrical/I&C Systems
  
  - Frank Modlin                        Lead Engineer Appendix R/Safe Shutdown
  
  - Scott Connelly                        RNP Licensing Lead Engineer
- 
-

# Opening Remarks

---

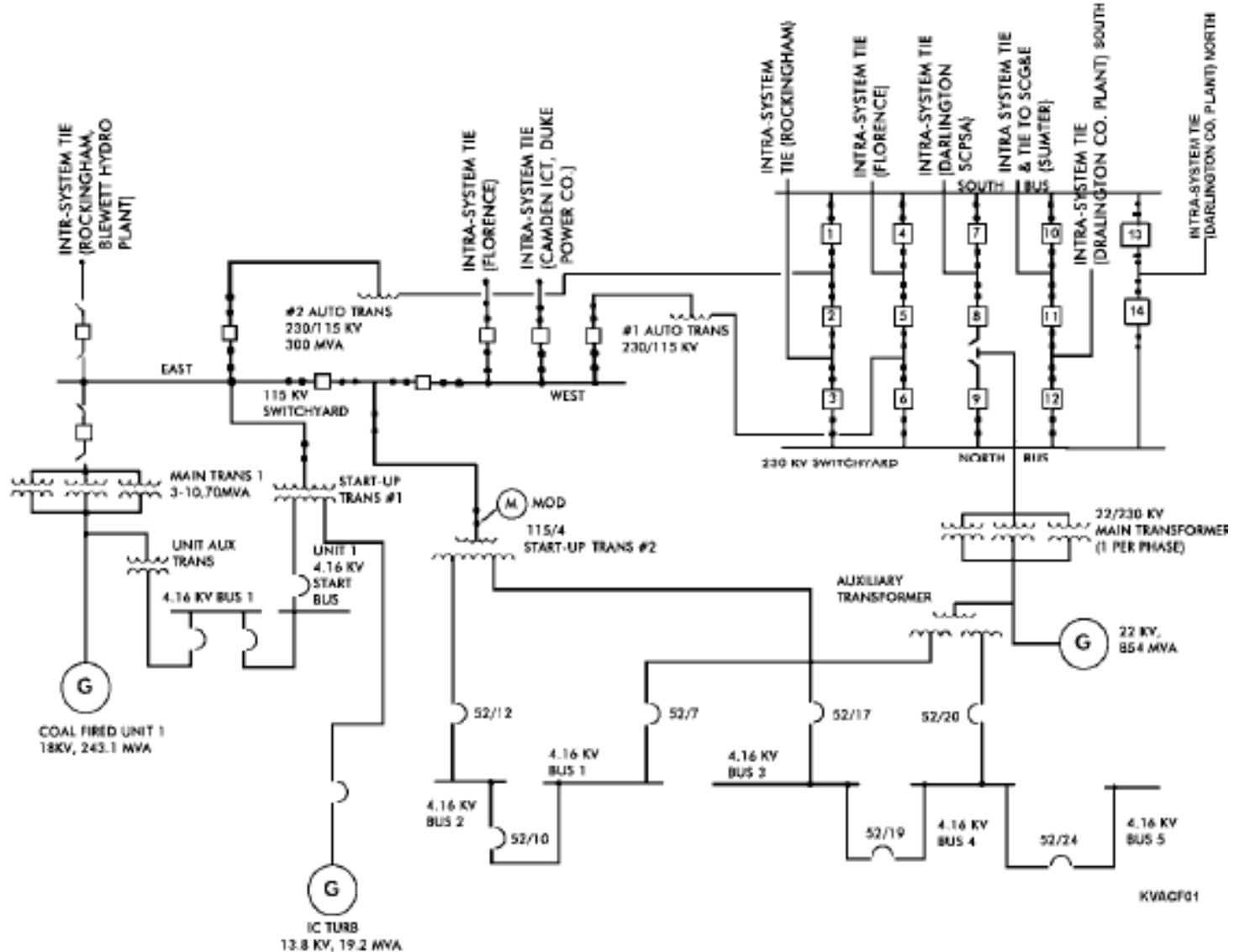
---

## Introductions

### Meeting Objectives :

- Common understanding of the proposed scope of the Robinson LAR
- Understanding of the detail of information expected in the LAR
- Gain an understanding regarding regulatory positions on specific issues
- Discuss LAR schedule from submittal to NRC approval

# Existing Design



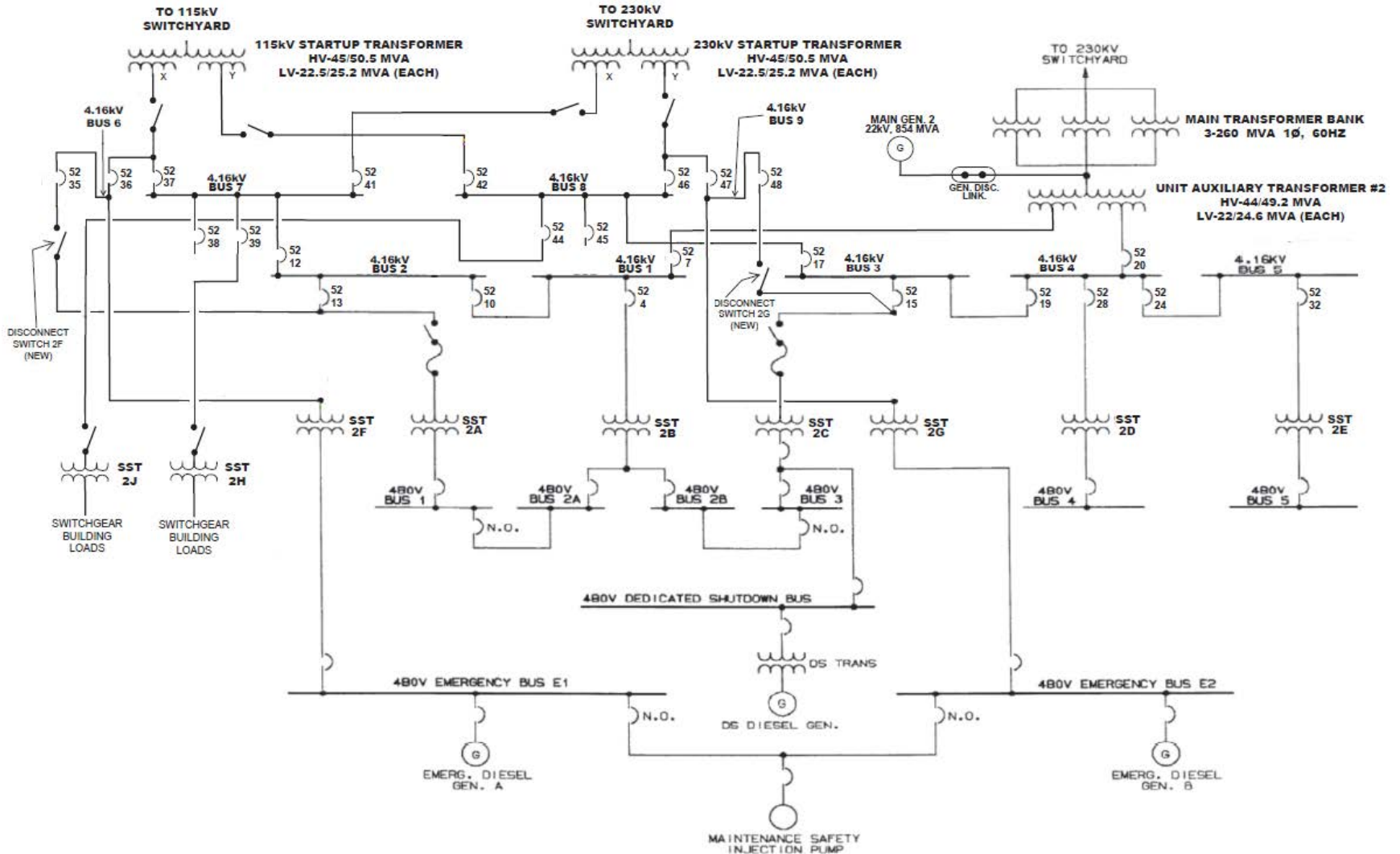
# Design Change Highlights

---

---

- ❑ Qualified-Immediate Second Source of Offsite power
- ❑ Independent direct source of offsite power from each transformer to both Emergency Buses
- ❑ Flexible power alignment with 4kV Bus and Breaker configuration
- ❑ SUTs will employ Auto Load Tap changers on incoming power
- ❑ Change to RNP Design Basis

# Upgraded Design



# Technical Specification Changes

---

---

## TS 3.8.1, AC Sources - Operating

- Adds second qualified offsite source
- Adds new conditions for combinations of sources
  - Emergency Diesel Generator
  - Qualified Offsite Source



## Other Considerations

---

---

### Station Blackout License Changes:

#### Current Licensing condition:

- 1 hour Alternate AC with an 8 hour coping duration

#### Targeted Licensing condition:

- 10 minute Alternate AC

# Auto Load Tap Changer Precedent LARs

---

---

Kewaunee -	Adams ML101590218	LAR Submittal
	Adams ML110250287	RAI response
	Adams ML110740158	RAI Response
	Adams ML111780675	RAI Response
	Adams ML11102A027	Amendment Issuance
Quad Cities 1,2 -	Adams ML060310402	LAR Submittal
	Adams ML061380550	RAI Response
	Adams ML061770520	Amendment Issuance
Callaway 1 -	Adams ML010260181	LAR Submittal
	Adams ML010990214	Amendment Issuance

## Proposed Project Timeline/LAR Submittal Date

---

---

RNP LAR Submittal	First Quarter 2016
Seeking NRC Approval Date	First Quarter 2018
Transmission Upgrade Implementation	Fall 2018 RO31

# Closing Remarks

---

---

- Any near term rulemaking that may affect the project?
- LAR time table acceptability