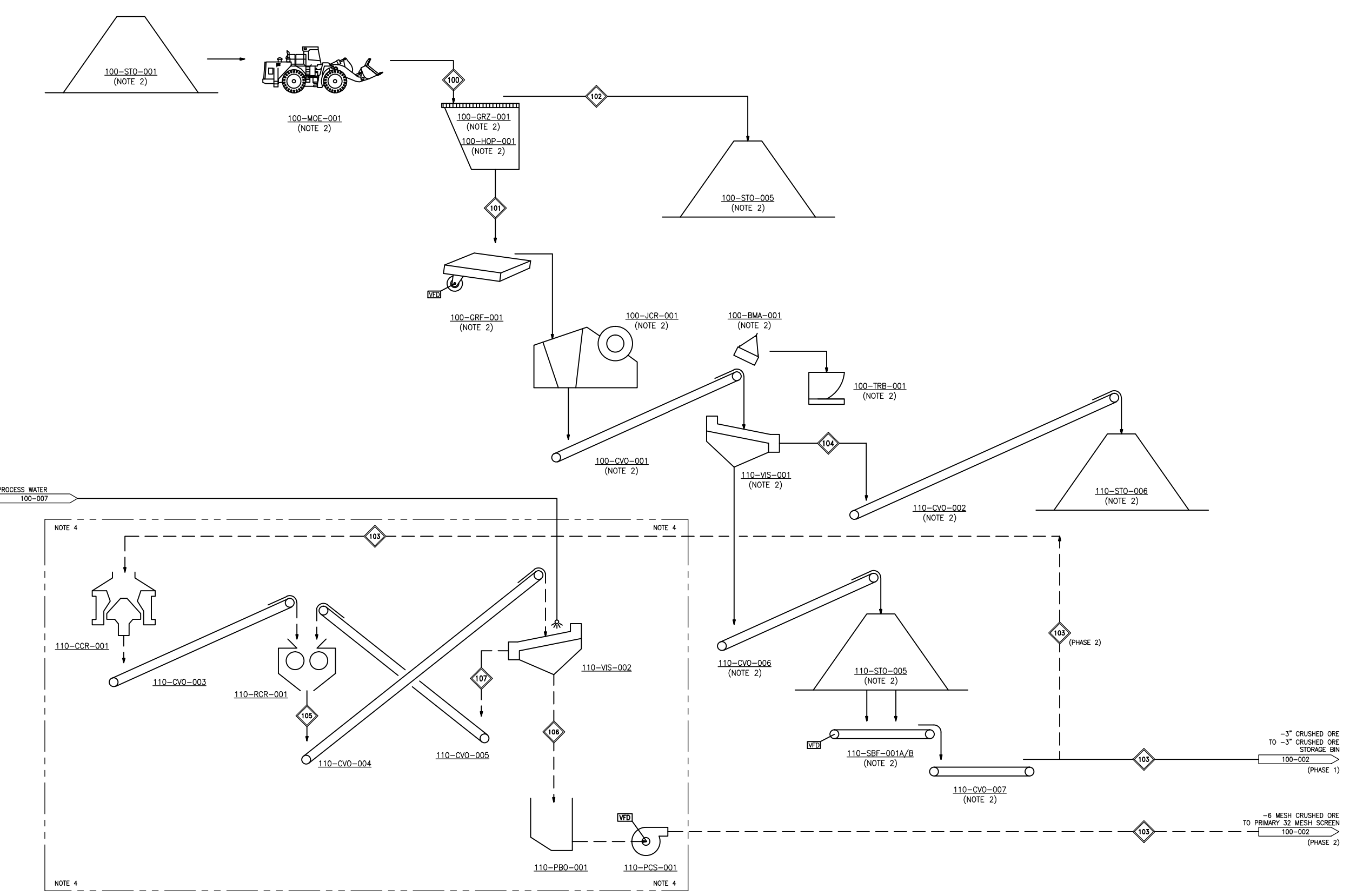


Appendix C-1

Detailed Process Flow Diagram for PUG Plant

100-STO-001 ROM STOCKPILE	100-GRZ-001 24" GRIZZLY SCREEN	100-GRF-001 GRIZZLY FEEDER	100-CVO-001 JAW CRUSHER DISCHARGE CONVEYOR	100-BMA-001 TRAMP METAL MAGNET	100-STO-005 +24"/-36" WASTE ROCK STOCKPILE	110-CVO-002 3" SCREEN O/S DISCHARGE CONVEYOR	110-PCS-001 -6 MESH SCREEN UNDERFLOW PUMP	110-CCR-001 3/4" CONE CRUSHER	110-RCR-001 6 MESH ROLL CRUSHER	110-VIS-002 6 MESH SCREEN	110-CVO-006 -3" MESH CRUSHED ORE STOCKPILE FEED CONVEYOR	110-SBF-001A/B -3" MESH STOCKPILE BELT FEEDER
100-MOF-001 ROM LOADER	100-HOP-001 FEED DUMP HOPPER	100-JCR-001 24" JAW CRUSHER	100-TRB-001 TRASH BIN		110-VIS-001 3" SCREEN	110-STO-006 +3" LOW GRADE STOCKPILE	110-PBO-001 -6 MESH SCREEN UNDERFLOW SUMP	110-CVO-003 3/4" CONE CRUSHER DISCHARGE CONVEYOR	110-CVO-004 ROLL CRUSHER DISCHARGE CONVEYOR	110-CVO-005 6 MESH SCREEN O/S DISCHARGE CONVEYOR	110-STO-005 -3" MESH CRUSHED ORE STOCKPILE	110-CVO-007 -3" MESH STOCKPILE FEED CONVEYOR



KEYPLAN



GENERAL NOTES

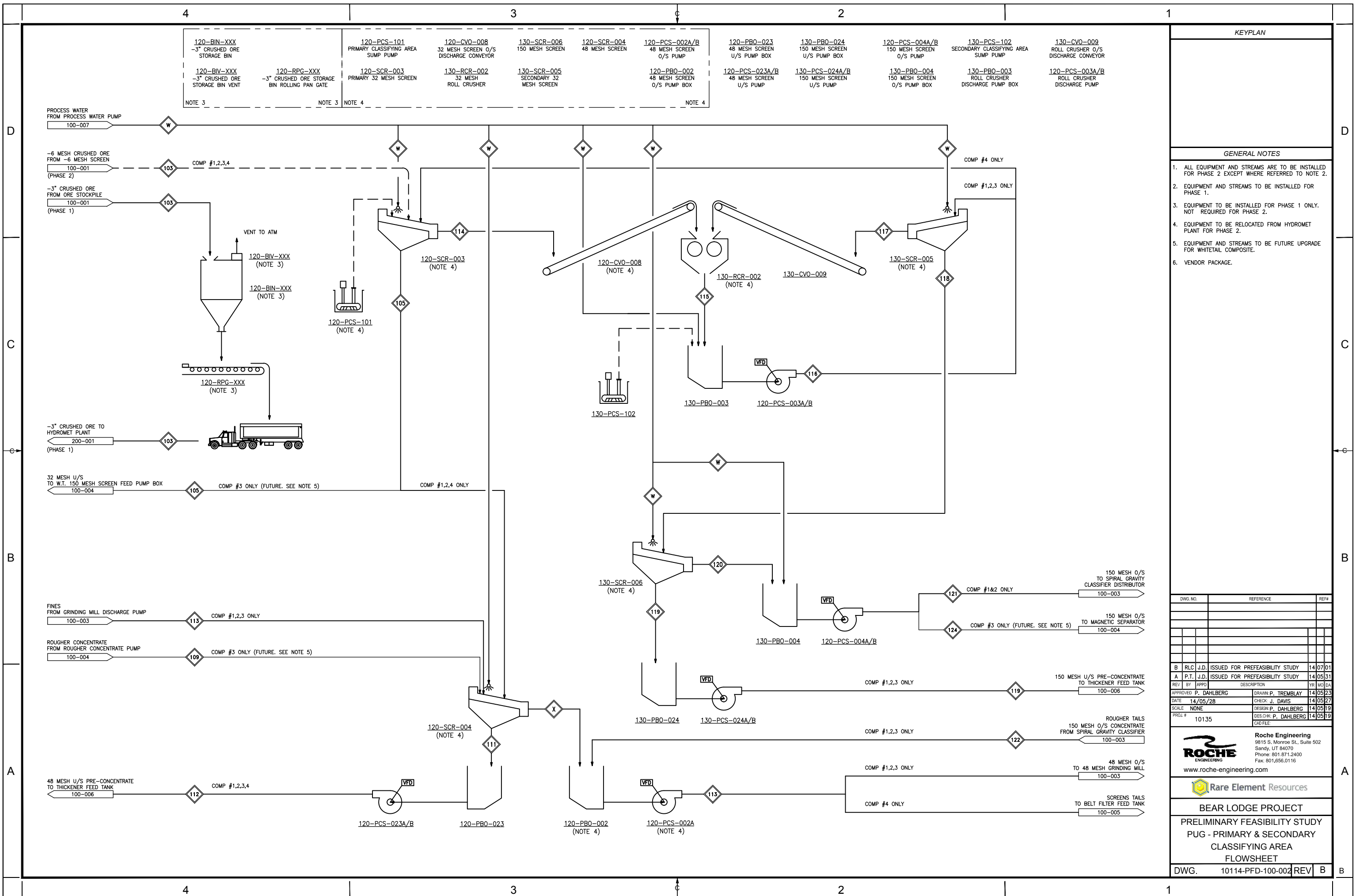
- ALL EQUIPMENT AND STREAMS ARE TO BE INSTALLED FOR PHASE 2 EXCEPT WHERE REFERRED TO NOTE 2.
- EQUIPMENT AND STREAMS TO BE INSTALLED FOR PHASE 1.
- EQUIPMENT TO BE INSTALLED FOR PHASE 1 ONLY. NOT REQUIRED FOR PHASE 2.
- EQUIPMENT TO BE RELOCATED FROM HYDROMET PLANT FOR PHASE 2.
- EQUIPMENT AND STREAMS TO BE FUTURE UPGRADE FOR WHITETAIL COMPOSITE.
- VENDOR PACKAGE.

DWG. NO.	REFERENCE	REF#				
B	R/C J.D.	ISSUED FOR PREFEASIBILITY STUDY 14 07 01				
A	P.T. J.D.	ISSUED FOR PREFEASIBILITY STUDY 14 05 31				
REV	BY	APPD	DESCRIPTION	YR	MO	DA
	APPROVED	P. DAHLBERG	DRAWN	P. TREMBLAY	14 05 23	
	DATE	14/05/28	CHECK	J. DAVIS	14 05 27	
	SCALE	NONE	DESIGN	P. DAHLBERG	14 05 19	
	PROJ.#	10135	DESIGN	P. DAHLBERG	14 05 19	
			CAD FILE			

Roche Engineering
9815 S. Monroe St., Suite 502
Sandy, UT 84070
Phone: 801.871.2400
Fax: 801.856.0116
www.roche-engineering.com

Rare Element Resources

BEAR LODGE PROJECT
PRELIMINARY FEASIBILITY STUDY
PUG - CRUSHING AREA
FLWSHEET



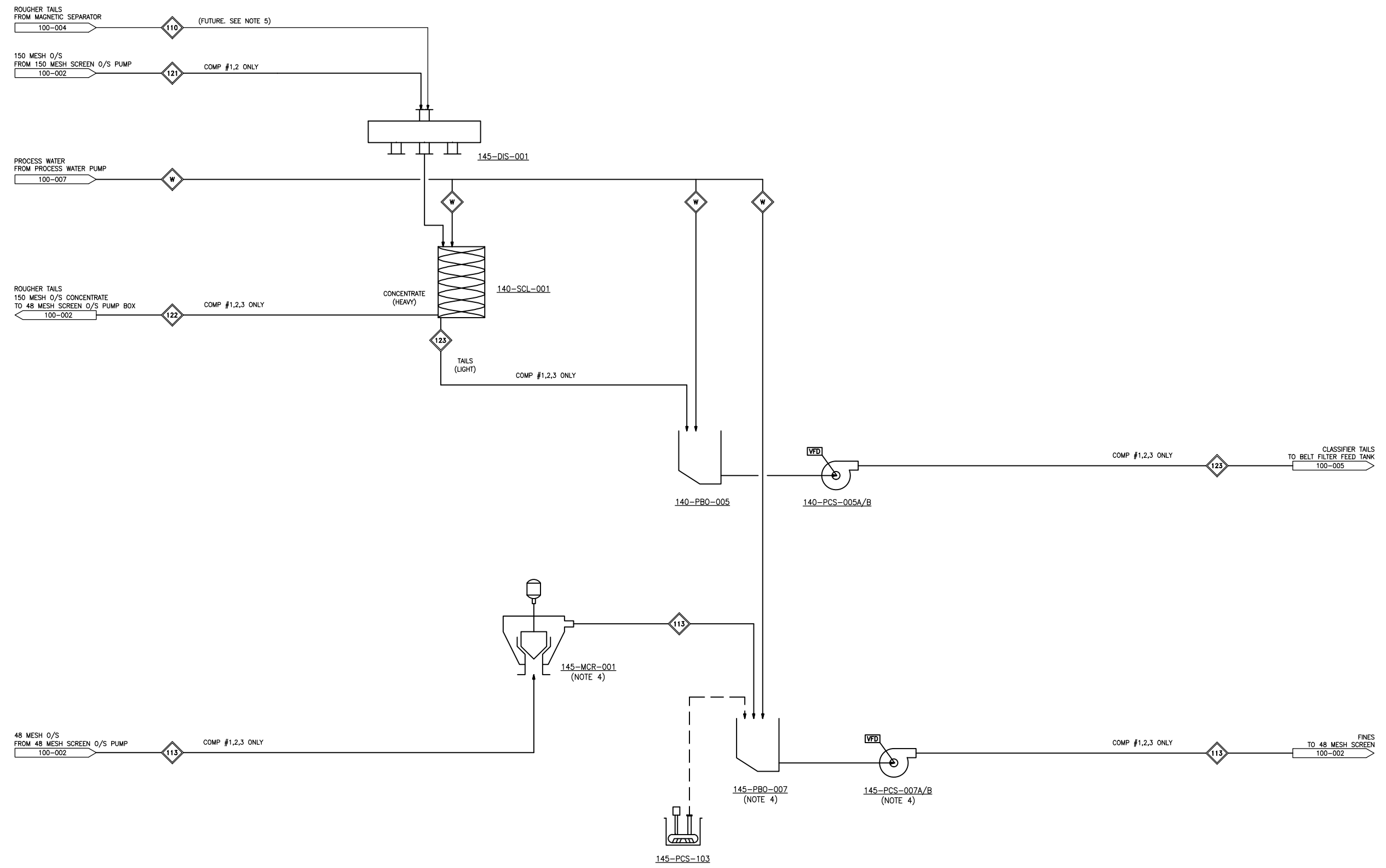
145-DIS-001 SPIRAL GRAVITY CLASSIFIER DISTRIBUTOR
 140-SCL-001 SPIRAL GRAVITY CLASSIFIER
 145-MCR-001 48 MESH GRINDING MILL
 145-PBO-007 GRINDING MILL DISCHARGE PUMP BOX
 145-PCS-007A/B GRINDING MILL DISCHARGE PUMP
 145-PCS-103 GRINDING & GRAVITY CLASSIFYING AREA SUMP PUMP
 140-PBO-005 GRAVITY CLASSIFIER PUMP BOX
 140-PCS-005A/B GRAVITY CLASSIFIER PUMP

NOTE 4 NOTE 4

KEYPLAN

GENERAL NOTES

1. ALL EQUIPMENT AND STREAMS ARE TO BE INSTALLED FOR PHASE 2 EXCEPT WHERE REFERRED TO NOTE 2.
2. EQUIPMENT AND STREAMS TO BE INSTALLED FOR PHASE 1.
3. EQUIPMENT TO BE INSTALLED FOR PHASE 1 ONLY. NOT REQUIRED FOR PHASE 2.
4. EQUIPMENT TO BE RELOCATED FROM HYDROMET PLANT FOR PHASE 2.
5. EQUIPMENT AND STREAMS TO BE FUTURE UPGRADE FOR WHITETAIL COMPOSITE.
6. VENDOR PACKAGE.



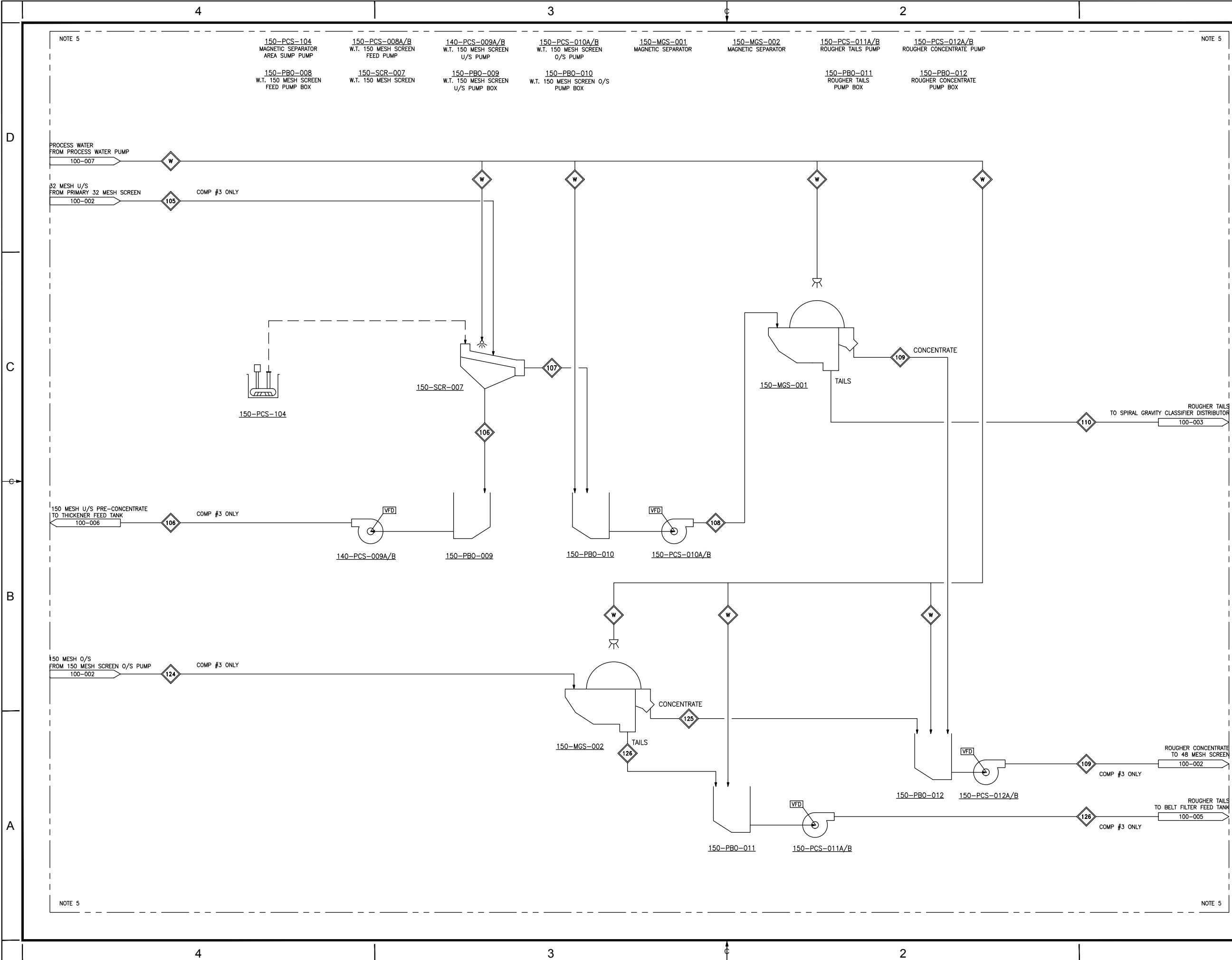
DWG. NO.	REFERENCE	REF#							
B	RLC J.D.	ISSUED FOR PREFEASIBILITY STUDY 14 07 01							
A	P.T. J.D.	ISSUED FOR PREFEASIBILITY STUDY 14 05 31							
REV	BY	APPRO	DESCRIPTION	YR	MO	DA			
APPROVED		P. DAHLBERG		DRAWN		P. TREMBLAY		14 05 23	
DATE		14/05/28		CHECK		J. DAVIS		14 05 27	
SCALE		NONE		DESIGN		P. DAHLBERG		14 05 19	
PROJ.#		10135		DESIGN		P. DAHLBERG		14 05 19	
				CAD FILE					

ROCHE Engineering
 9815 S. Monroe St., Suite 502
 Sandy, UT 84070
 Phone: 801.871.2400
 Fax: 801.656.0116
www.roche-engineering.com

Rare Element Resources

BEAR LODGE PROJECT
 PRELIMINARY FEASIBILITY STUDY
 PUG - GRINDING & GRAVITY
 CLASSIFYING AREA
 FLOWSHEET

DWG. 10135-PFD-100-003 REV B



KEYPLAN

GENERAL NOTES

1. ALL EQUIPMENT AND STREAMS ARE TO BE INSTALLED FOR PHASE 2 EXCEPT WHERE REFERRED TO NOTE 2.
2. EQUIPMENT AND STREAMS TO BE INSTALLED FOR PHASE 1.
3. EQUIPMENT TO BE INSTALLED FOR PHASE 1 ONLY. NOT REQUIRED FOR PHASE 2.
4. EQUIPMENT TO BE RELOCATED FROM HYDROMET PLANT FOR PHASE 2.
5. EQUIPMENT AND STREAMS TO BE FUTURE UPGRADE FOR WHITETAIL COMPOSITE.
6. VENDOR PACKAGE.

DWG. NO.	REFERENCE	REF#				
B	RLC J.D.	ISSUED FOR PREFEASIBILITY STUDY 14 07 01				
A	P.T. J.D.	ISSUED FOR PREFEASIBILITY STUDY 14 05 31				
REV	BY	APPRO	DESCRIPTION	YR	MO	DA
APPROVED	P. DAHLBERG	DRAWN	P. TREMBLAY	14 05 23		
DATE	14/05/28	CHECK	J. DAVIS	14 05 27		
SCALE	NONE	DESIGN	P. DAHLBERG	14 05 19		
PROJ.#	10135	DESIGN	P. DAHLBERG	14 05 19		
		FILE				

Roche Engineering
 9815 S. Monroe St., Suite 502
 Sandy, UT 84070
 Phone: 801.871.2400
 Fax: 801.656.0116
www.roche-engineering.com

Rare Element Resources
BEAR LODGE PROJECT
PRELIMINARY FEASIBILITY STUDY
PUG - MAG SEPARATION WHITETAIL
UPGRADE AREA
FLWSHEET

DWG. 10135-PFD-100-004 REV B

160-PCS-105
REJECTS DEWATERING
AREA SUMP PUMP

160-TAK-005
BELT FILTER
FEED TANK

160-BLF-001
BELT FILTER

160-PCS-013A/B
BELT FILTER
FILTRATE PUMP

160-CVO-010
BELT FILTER
DISCHARGE CONVEYOR

165-STO-010
REJECTS STOCKPILE

ROUGHER TAILS
FROM ROUGHER TAILS PUMP
100-004

SCREENS TAILS
FROM 48 MESH SCREEN O/S PUMP
100-002

CLASSIFIER TAILS
FROM GRAVITY CLASSIFIER PUMP
100-003

160-PCS-105

160-TAK-005

160-BLF-001

160-CVO-010

165-STO-010

160-PCS-013A/B

NOTE 6

NOTE 6

NOTE 6

NOTE 6

KEYPLAN

GENERAL NOTES

- ALL EQUIPMENT AND STREAMS ARE TO BE INSTALLED FOR PHASE 2 EXCEPT WHERE REFERRED TO NOTE 2.
- EQUIPMENT AND STREAMS TO BE INSTALLED FOR PHASE 1.
- EQUIPMENT TO BE INSTALLED FOR PHASE 1 ONLY. NOT REQUIRED FOR PHASE 2.
- EQUIPMENT TO BE RELOCATED FROM HYDROMET PLANT FOR PHASE 2.
- EQUIPMENT AND STREAMS TO BE FUTURE UPGRADE FOR WHITETAIL COMPOSITE.
- VENDOR PACKAGE.

DWG. NO.	REFERENCE	REF#				
B	RLC J.D.	ISSUED FOR PREFEASIBILITY STUDY 14 07 01				
A	P.T. J.D.	ISSUED FOR PREFEASIBILITY STUDY 14 05 31				
REV	BY	APPD	DESCRIPTION	YR	MO	DA
	APPROVED	P. DAHLBERG	DRAWN	P. TREMBLAY	14 05 23	
	DATE	14/05/28	CHECK	J. DAVIS	14 05 27	
	SCALE	NONE	DESIGN	P. DAHLBERG	14 05 19	
	PROJ.#	10135	DESIGN	P. DAHLBERG	14 05 19	
			CAD FILE			

Roche Engineering
9815 S. Monroe St., Suite 502
Sandy, UT 84070
Phone: 801.871.2400
Fax: 801.656.0116
www.roche-engineering.com

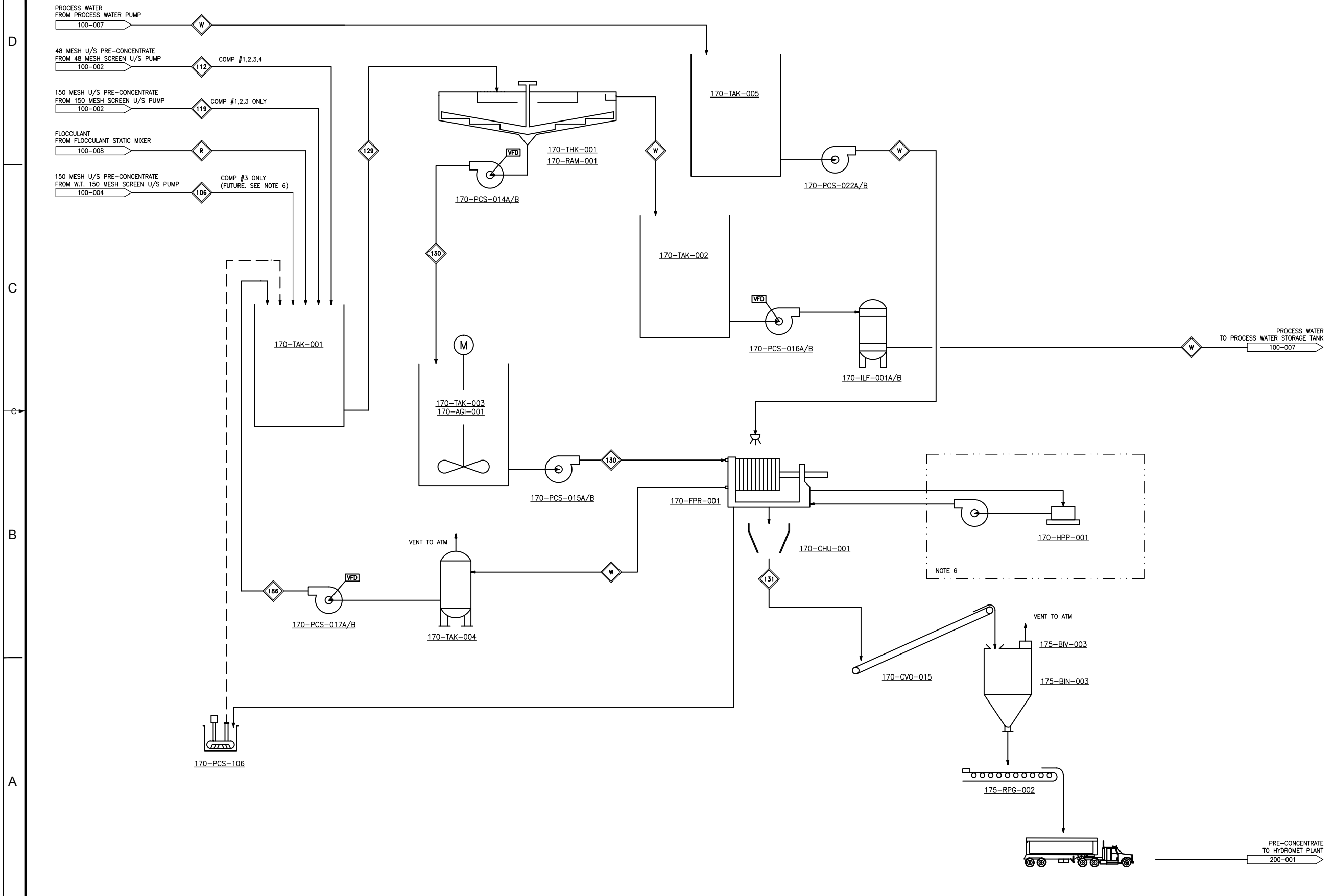
Rare Element Resources

BEAR LODGE PROJECT

PRELIMINARY FEASIBILITY STUDY
PUG - TAILINGS DEWATERING AREA
FLOWSHEET

DWG. 10135-PFD-100-005 | REV B

- | | | | | | | | | | | |
|---|--|---|--|--|---|---|--|---|--|--|
| 170-TAK-001
THICKENER
FEED TANK | 170-THK-001
THICKENER | 170-PCS-014A/B
THICKENER
U/F PUMP | 170-PCS-015A/B
PRESS-FILTER
FEED PUMP | 170-PCS-017A/B
PRESS-FILTER
FILTRATE PUMP | 170-TAK-005
PRESS-FILTER
WASH WATER TANK | 170-TAK-002
THICKENER
O/F TANK | 170-ILF-001A/B
THICKENER O/F
INLINE FILTER | 170-HPP-001
PRESS-FILTER HYDRAULIC
POWER UNIT | 170-CVO-015
PRESS-FILTER DISCHARGE
CONVEYOR | 175-BIN-003
PRE-CONCENTRATE
STORAGE BIN |
| 170-PCS-106
PRE-CONCENTRATE
DEWATERING AREA SUMP PUMP | 170-RAM-001
THICKENER
RAKE MECHANISM | 170-TAK-003
PRESS-FILTER
SURGE TANK | 170-AGI-001
PRESS-FILTER SURGE
TANK AGITATOR | 170-TAK-004
PRESS-FILTER
FILTRATE RECEIVER | 170-PCS-022A/B
PRESS-FILTER
WASH WATER PUMP | 170-PCS-016A/B
THICKENER
O/F PUMP | 170-FPR-001
PRESS-FILTER | 170-CHU-001
PRESS-FILTER
DISCHARGE CHUTE | 175-RPG-002
PRE-CONCENTRATE STORAGE
BIN ROLLING PAN GATE | 175-BIV-003
PRE-CONCENTRATE
STORAGE BIN VENT |



KEYPLAN

GENERAL NOTES

- ALL EQUIPMENT AND STREAMS ARE TO BE INSTALLED FOR PHASE 2 EXCEPT WHERE REFERRED TO NOTE 2.
- EQUIPMENT AND STREAMS TO BE INSTALLED FOR PHASE 1.
- EQUIPMENT TO BE INSTALLED FOR PHASE 1 ONLY. NOT REQUIRED FOR PHASE 2.
- EQUIPMENT TO BE RELOCATED FROM HYDROMET PLANT FOR PHASE 2.
- EQUIPMENT AND STREAMS TO BE FUTURE UPGRADE FOR WHITETAIL COMPOSITE.
- VENDOR PACKAGE.

DWG. NO.	REFERENCE	REF#				
B	RLC J.D.	ISSUED FOR PREFEASIBILITY STUDY 14 07 01				
A	P.T. J.D.	ISSUED FOR PREFEASIBILITY STUDY 14 05 31				
REV	BY	APPROV	DESCRIPTION	YR	MO	DA
DATE	14/05/28	CHECK	J. DAVIS	14 05 27		
SCALE	NONE	DESIGN	P. DAHLBERG	14 05 19		
PROJ.#	10135	DESIGN	P. DAHLBERG	14 05 19		
		CAD FILE				

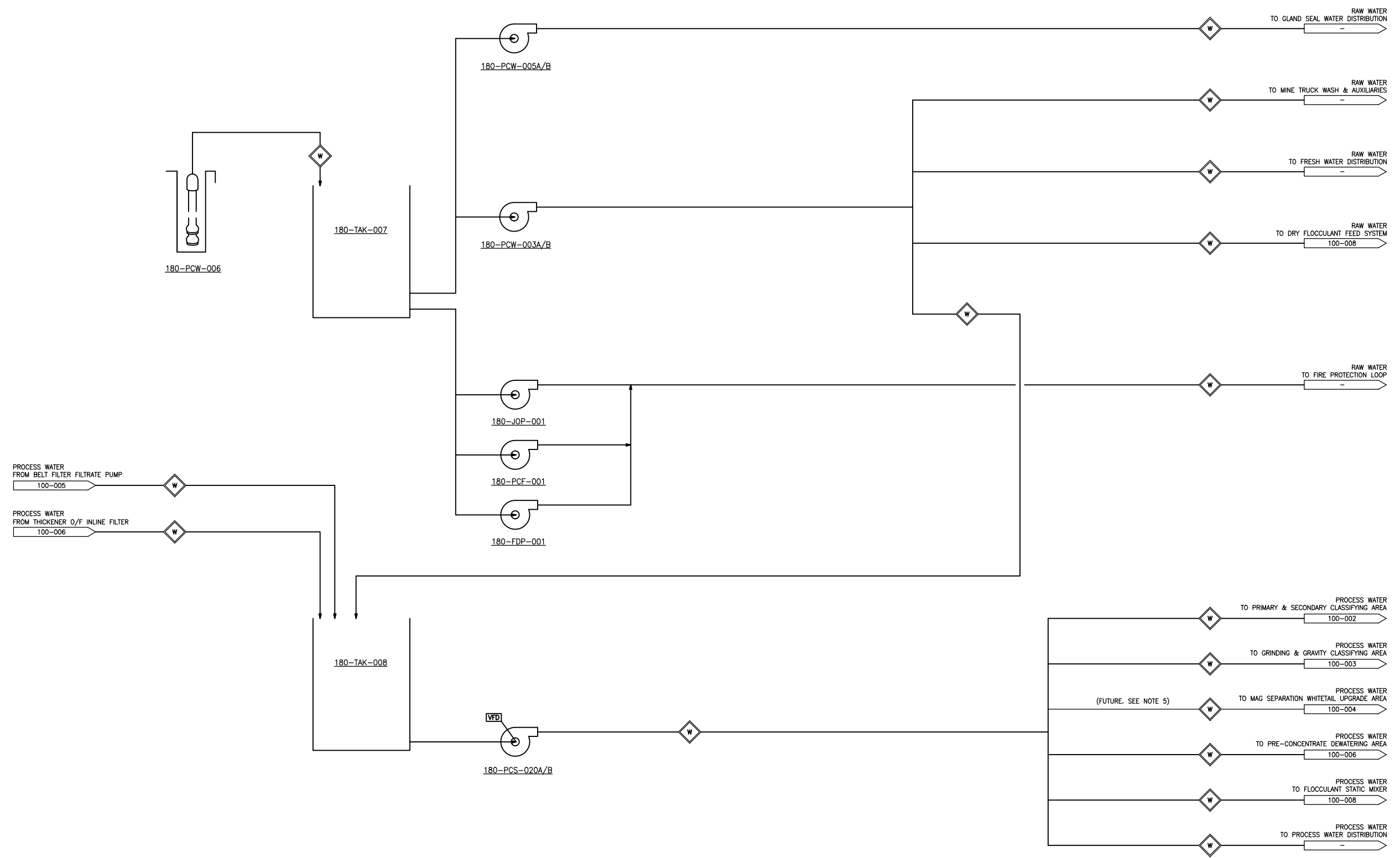
Roche Engineering
 9815 S. Monroe St., Suite 502
 Sandy, UT 84070
 Phone: 801.671.2400
 Fax: 801.656.0116
 www.roche-engineering.com

Rare Element Resources

BEAR LODGE PROJECT
 PRELIMINARY FEASIBILITY STUDY
 PUG - PRE-CONCENTRATE
 DEWATERING AREA
 FLOWSHEET

DWG. 10135-PFD-100-006 | REV | B

180-PCW-006 RAW WATER WELL PUMP
 180-TAK-007 RAW/FIRE WATER STORAGE TANK
 180-TAK-008 PROCESS WATER STORAGE TANK
 180-PCW-005A/B GLAND SEAL WATER DISTRIBUTION PUMP
 180-PCW-003A/B RAW WATER DISTRIBUTION PUMP
 180-JOP-001 FIRE WATER JOCKEY PUMP
 180-PCF-001 ELECTRIC FIRE WATER PUMP
 180-FDP-001 DIESEL FIRE WATER PUMP
 180-PCS-020A/B PROCESS WATER PUMP



KEYPLAN

GENERAL NOTES

1. ALL EQUIPMENT AND STREAMS ARE TO BE INSTALLED FOR PHASE 2 EXCEPT WHERE REFERRED TO NOTE 2.
2. EQUIPMENT AND STREAMS TO BE INSTALLED FOR PHASE 1.
3. EQUIPMENT TO BE INSTALLED FOR PHASE 1 ONLY. NOT REQUIRED FOR PHASE 2.
4. EQUIPMENT TO BE RELOCATED FROM HYDROMET PLANT FOR PHASE 2.
5. EQUIPMENT AND STREAMS TO BE FUTURE UPGRADE FOR WHITETAIL COMPOSITE.
6. VENDOR PACKAGE.

DWG. NO.	REFERENCE	REF#				
B	RLC J.D.	ISSUED FOR PREFEASIBILITY STUDY 14 07 01				
A	P.T. J.D.	ISSUED FOR PREFEASIBILITY STUDY 14 05 31				
REV	BY	APPRO	DESCRIPTION	YR	MO	DA
DATE	14/05/28	CHECK	J. DAVIS	14	05	27
SCALE	NONE	DESIGN	P. DAHLBERG	14	05	19
PROJ.#	10135	DESIGN	P. DAHLBERG	14	05	19
		CD FILE				

Roche Engineering
 9815 S. Monroe St., Suite 502
 Sandy, UT 84070
 Phone: 801.871.2400
 Fax: 801.656.0116
 www.roche-engineering.com

Rare Element Resources

BEAR LODGE PROJECT

PRELIMINARY FEASIBILITY STUDY
PUG - RAW & PROCESS WATER AREA
FLOWSHEET

DWG. 10135-PFD-100-007 REV B

4

3

2

1

190-HOP-002
DRY FLOCCULANT
HOPPER

190-FLS-001
DRY FLOCCULANT
FEED SYSTEM

190-TAK-009
FLOCCULANT MIXING
TANK

190-AGI-002
FLOCCULANT MIXING
TANK AGITATOR

190-TAK-010
FLOCCULANT DISTRIBUTION
TANK

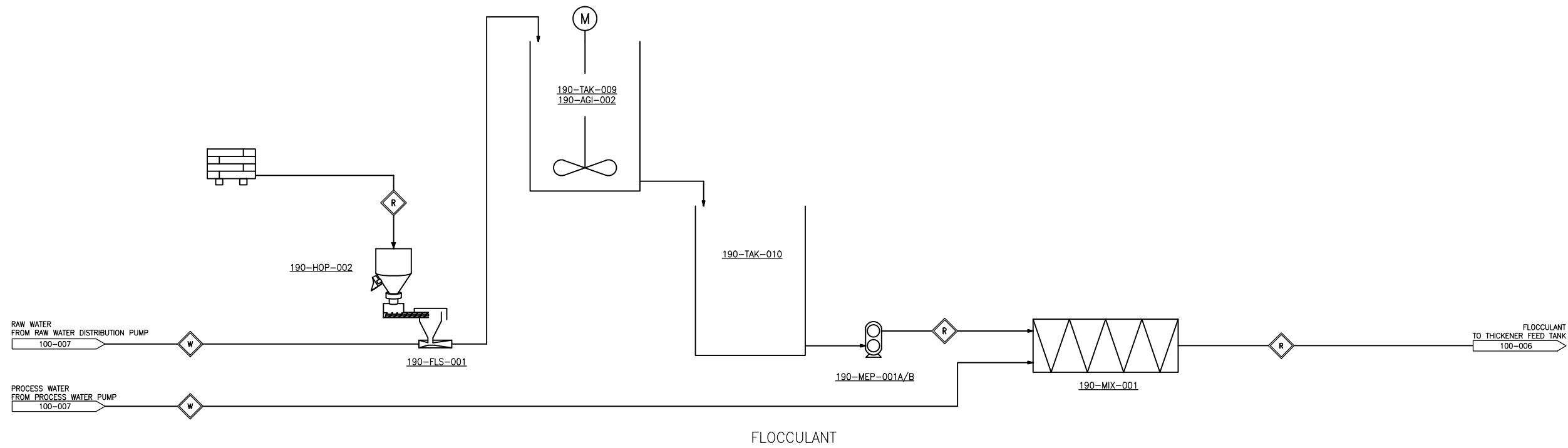
190-MEP-001A/B
FLOCCULANT DISTRIBUTION
PUMP

190-MIX-001
FLOCCULANT STATIC
MIXER

KEYPLAN

GENERAL NOTES

1. ALL EQUIPMENT AND STREAMS ARE TO BE INSTALLED FOR PHASE 2 EXCEPT WHERE REFERRED TO NOTE 2.
2. EQUIPMENT AND STREAMS TO BE INSTALLED FOR PHASE 1.
3. EQUIPMENT TO BE INSTALLED FOR PHASE 1 ONLY. NOT REQUIRED FOR PHASE 2.
4. EQUIPMENT TO BE RELOCATED FROM HYDROMET PLANT FOR PHASE 2.
5. EQUIPMENT AND STREAMS TO BE FUTURE UPGRADE FOR WHITETAIL COMPOSITE.
6. VENDOR PACKAGE.

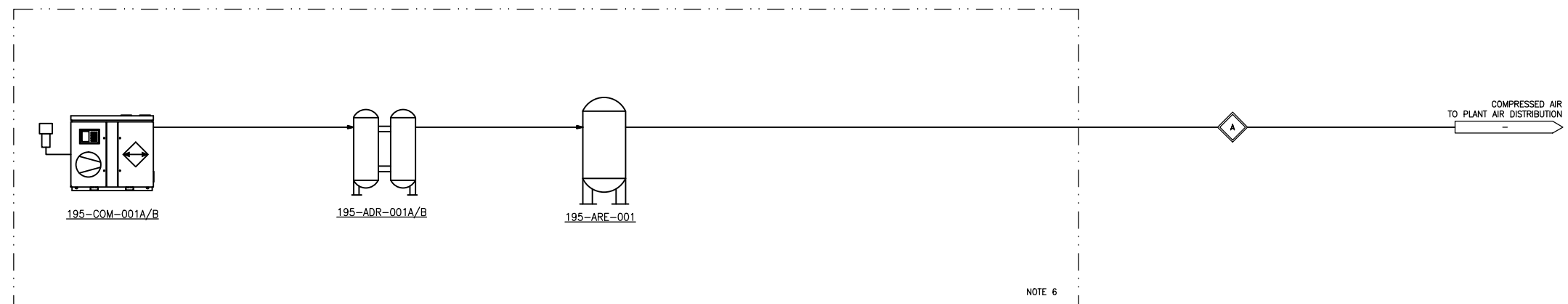


FLOCCULANT

195-COM-001A/B
PLANT AIR COMPRESSOR

195-ADR-001A/B
COMPRESSED AIR DRYER

195-ARE-001
PLANT AIR RECEIVER



AIR SUPPLY

DWG. NO.	REFERENCE	REF#							
B	RLC	J.D.	ISSUED FOR PREFEASIBILITY STUDY	14	07	01			
A	P.T.	J.D.	ISSUED FOR PREFEASIBILITY STUDY	14	05	31			
REV	BY	APPO	DESCRIPTION	YR	MO	DA			
APPROVED	P.	DAHLBERG	DRAWN	P.	TREMBLAY	14	05	23	
DATE	14/05/28	CHECK	J.	DAVIS			14	05	27
SCALE	NONE	DESIGN	P.	DAHLBERG			14	05	19
PROJ.#	10135	DESIGN	P.	DAHLBERG			14	05	19
		CAD FILE							

Roche Engineering
8815 S. Monroe St., Suite 502
Sandy, UT 84070
Phone: 801.871.2400
Fax: 801.556.0116
www.roche-engineering.com

Rare Element Resources

BEAR LODGE PROJECT

PRELIMINARY FEASIBILITY STUDY
PUG - UTILITIES AREA
FLOWSHEET

DWG. 10135-PFD-100-008 REV B

4

3

2

1