

Figure 9a2.1-1 – RVZ1 Ventilation Flow Diagram

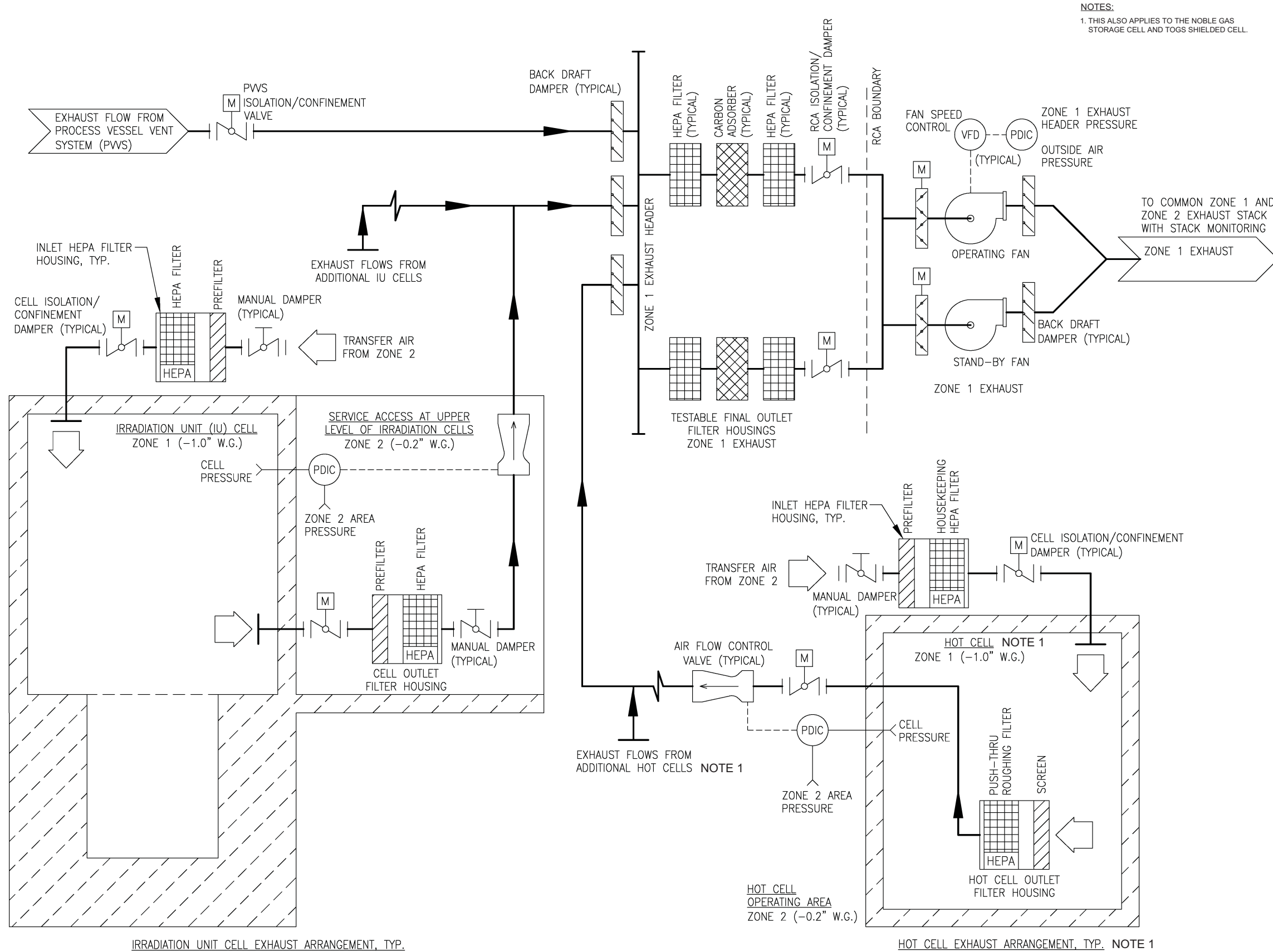


Figure 9a2.1-2 – RVZ2SA and RVZ2 Ventilation Flow Diagram

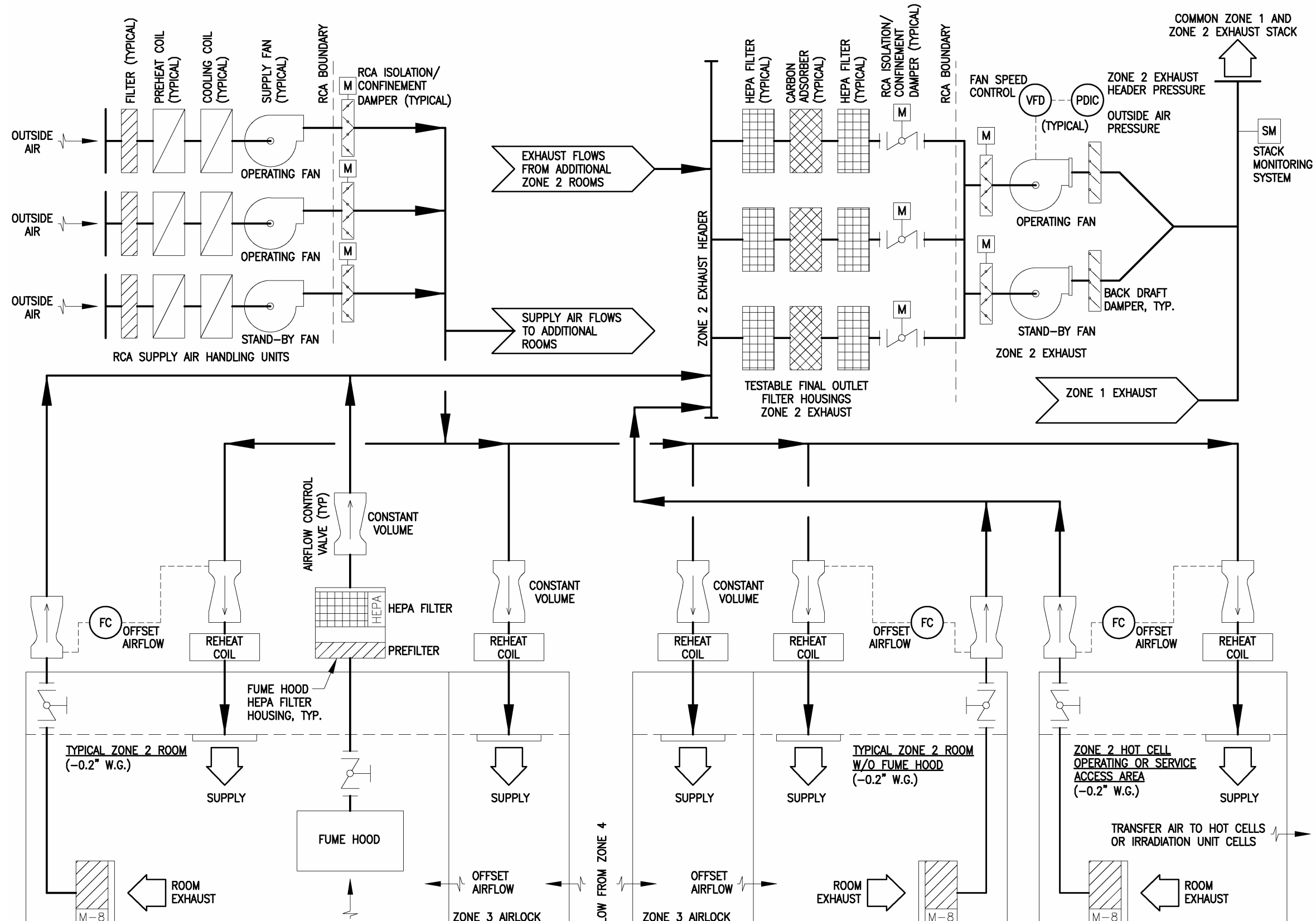
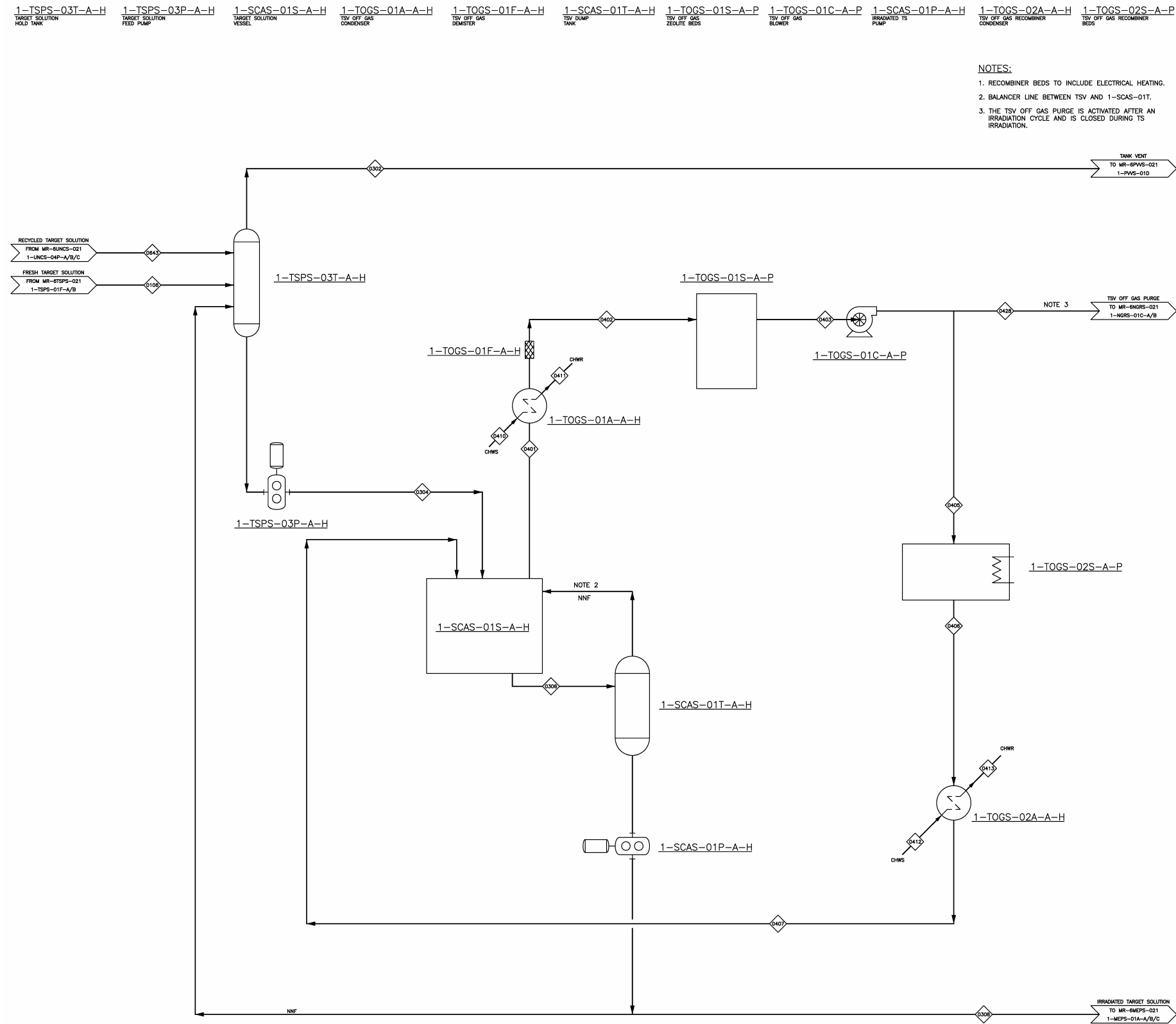


Figure 9a2.2-1 – Irradiation Facility Target Solution Storage and Handling Process Flow Diagram



DRAWING SCALE

**Figure 9a2.2-2 – Subcritical Assembly Cross-Section**

*Proprietary Information – Withhold from public disclosure under 10 CFR 2.390(a)(4)*  
*Security-Related Information – Withhold Under 10 CFR 2.390*

**Figure 9a2.3-1 – Fire Area and Fire Zone Boundaries**

*Proprietary Information – Withhold from public disclosure under 10 CFR 2.390(a)(4)*  
*Security-Related Information – Withhold Under 10 CFR 2.390*

Figure 9a2.3-2 – Fire Protection Site Layout

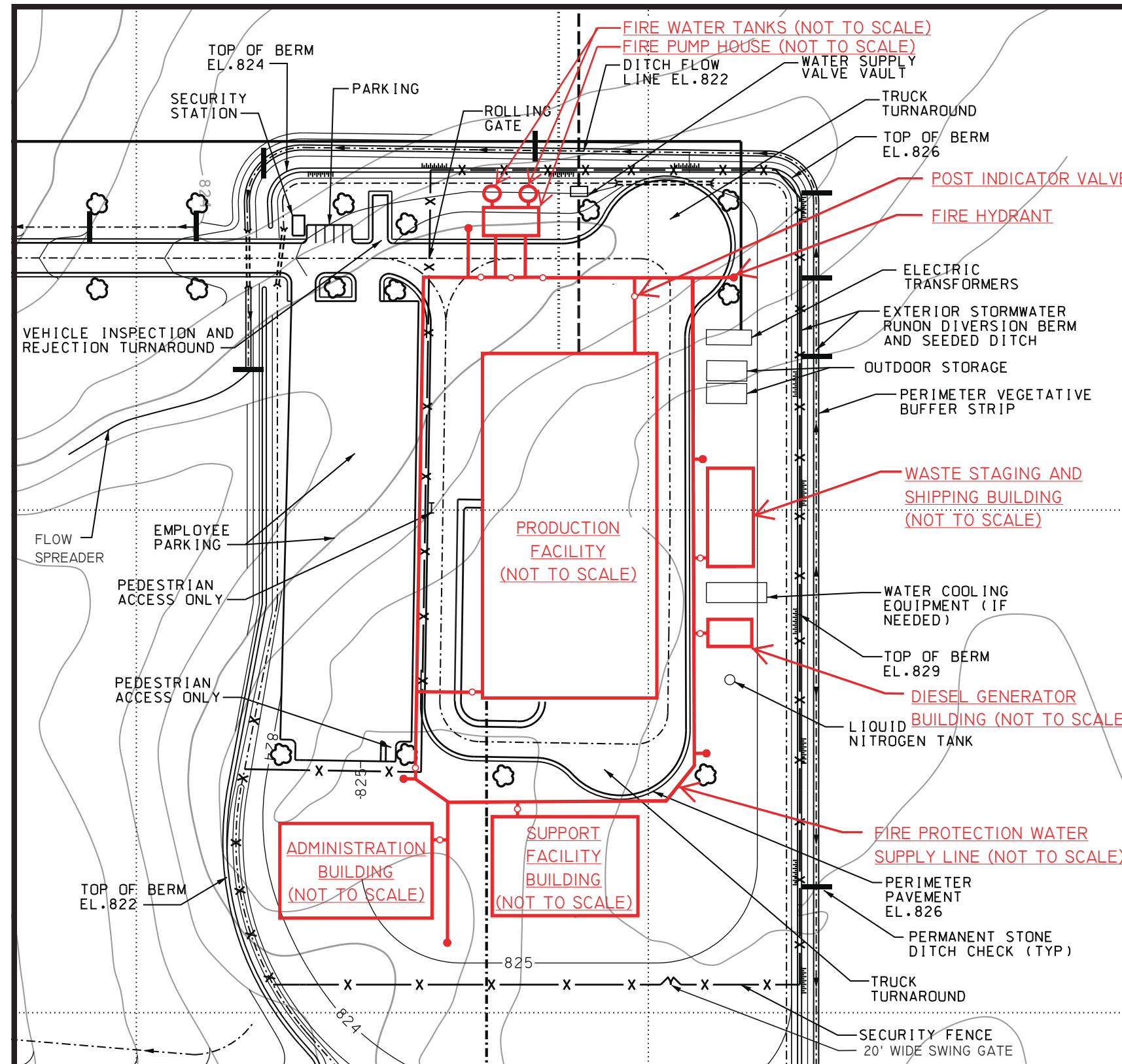


Figure 9a2.3-3 – Fire Protection Process Flow Diagram

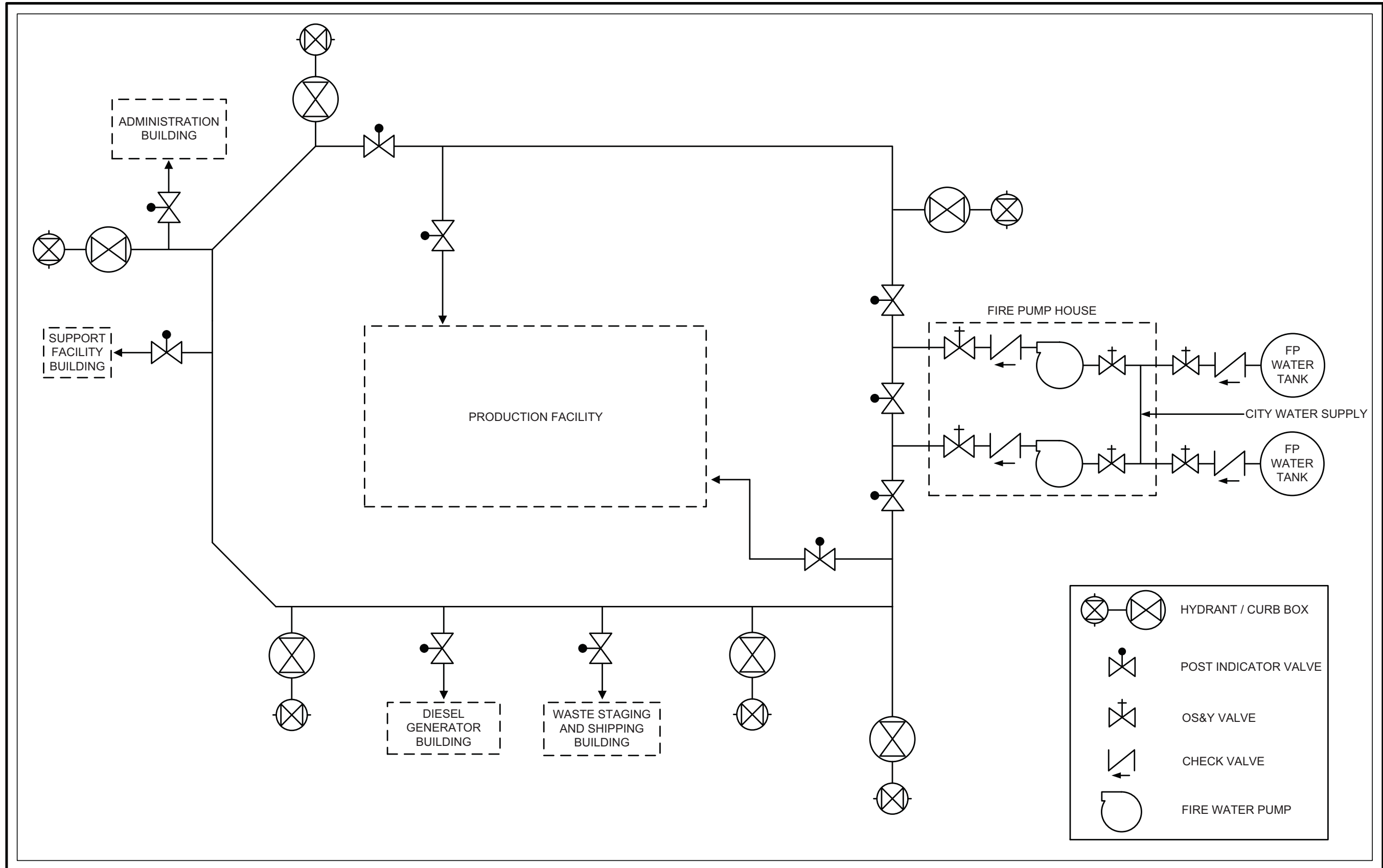
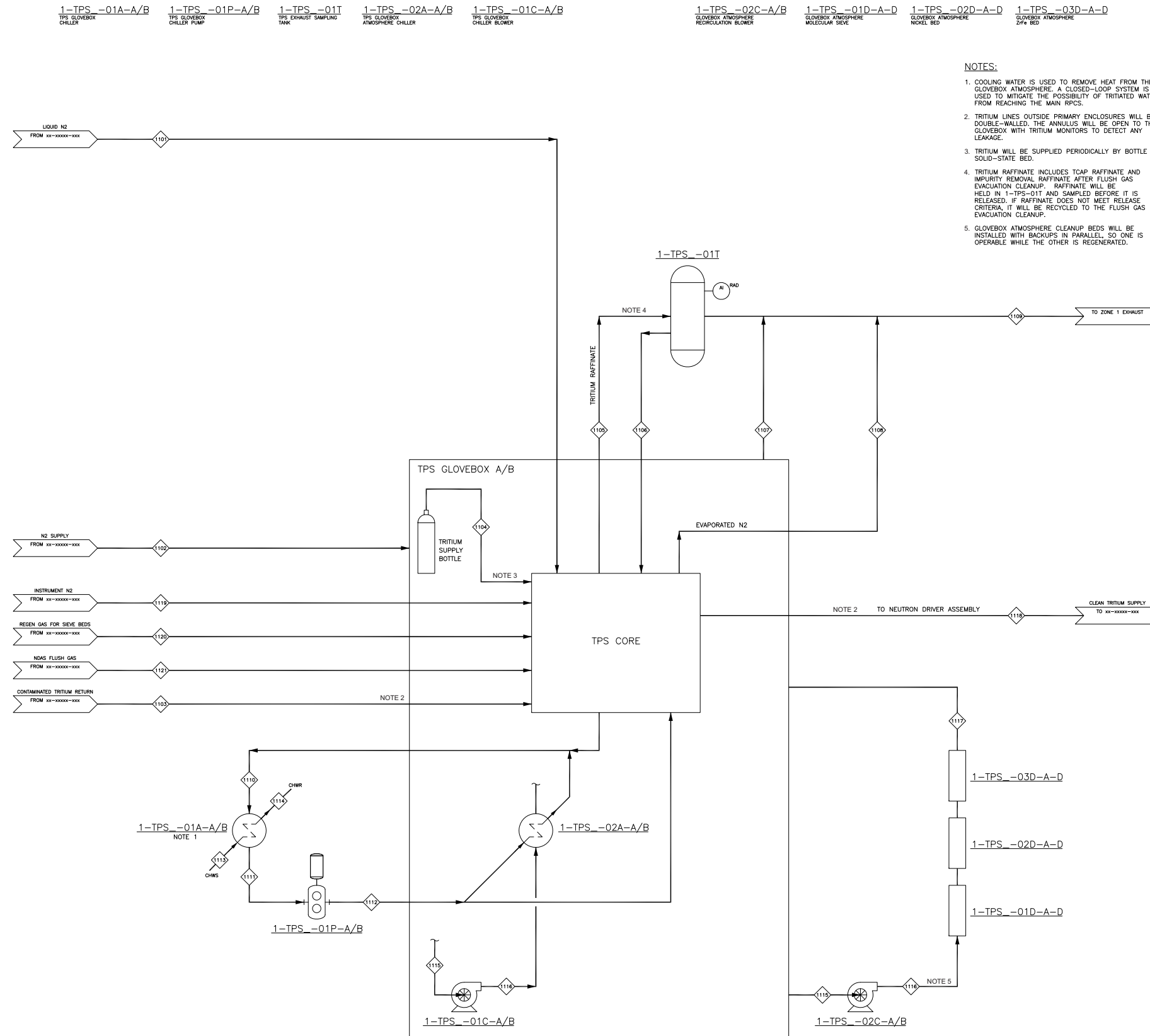


Figure 9a2.7-1 – TPS Process Flow Diagram



- NOTES:
1. COOLING WATER IS USED TO REMOVE HEAT FROM THE GLOVEBOX ATMOSPHERE. A CLOSED-LOOP SYSTEM IS USED TO MITIGATE THE POSSIBILITY OF TRITIATED WATER FROM REACHING THE MAIN RPCS.
  2. TRITIUM LINES OUTSIDE PRIMARY ENCLOSURES WILL BE DOUBLE-WALLED. THE ANNULUS WILL BE OPEN TO THE GLOVEBOX WITH TRITIUM MONITORS TO DETECT ANY LEAKAGE.
  3. TRITIUM WILL BE SUPPLIED PERIODICALLY BY BOTTLE OR SOLID-STATE BED.
  4. TRITIUM RAFFINATE INCLUDES TCAP RAFFINATE AND IMPURITY REMOVAL RAFFINATE AFTER FLUSH GAS EVACUATION CLEANUP. RAFFINATE WILL BE HELD IN 1-TPS-01T AND SAMPLED BEFORE IT IS RELEASED. IF RAFFINATE DOES NOT MEET RELEASE CRITERIA, IT WILL BE RECYCLED TO THE FLUSH GAS EVACUATION CLEANUP.
  5. GLOVEBOX ATMOSPHERE CLEANUP BEDS WILL BE INSTALLED WITH BACKUPS IN PARALLEL, SO ONE IS OPERABLE WHILE THE OTHER IS REGENERATED.

DRAWING SCALE  
N/S