

*Exposed Dos.*

Amersham International plc  
Telephone Little Chalfont (024 04) 4488  
Cables Activity Amersham telex  
111e Lion Road Amersham  
Buckinghamshire England HP7 9LL

*W.E. 2001 Irradiated*

# Radioactive source test report

product code <b>CPC3822</b>	description <b>CAESIUM-137 SOURCE</b>	nominal activity <b>1 74 GIGABQ, 2 CURIE</b>	customer <b>AMERSHAM CORPORATION 2636 SOUTH CLEARBROOK DRIVE ARLINGTON HEIGHTS ILLINOIS 60005 U S A</b>
AI item no. <b>155140</b>	<b>SEALED SOURCE</b>		<b>5-547</b>
BSI/ISO classification * <b>NOT TESTED</b>	special form certificate no. <b>NONE</b>	recommended working life <b>15 YEARS</b>	customer's order no. <b>S02888 01 PANASONIC</b>
serial number <b>246356</b>	measurement check <b>AKR 1.8</b>	measurement check date <b>28 FEB 86</b>	leakage test <b>D 28 FEB 86</b>
			date passed <b>3 MAR 86</b>
			leakage test <b>N 3 MAR 86</b>
			date passed <b>4 MAR 86</b>
			contamination test <b>A 3 MAR 86</b>
			date passed <b>4 MAR 86</b>

notes  
AKR-AIR KERMA RATE IN MICROGREYS PER SECOND AT ONE METRE.  
TO CONVERT AKR TO EQUIVALENT ACTIVITY IN MCI MULTIPLY BY 1.25.

\* this classification complies with BS.5286:1976, which is in agreement with ISO.2919 (see overleaf for definition and description of tests)

## Amersham

registered in England and Wales 1002610 registered office Amersham House Little Chalfont Buckinghamshire HP7 9NA

## Cesium-137

### Gamma Sources

Sources contain the radionuclide as a pellet of cesium ceramic. Doubly encapsulated in welded stainless steel.

Nominal activity* MBq	mCi	Product code	
		X38/2	X38/4
37	1	CDC.3801	
74	2	CDC.3802	
111	3	CDC.3803	
185	5	CDC.3804	
370	10	CDC.3805	
740	20	CDC.3806	
1.11 x 10 <sup>3</sup>	30	CDC.3807	
1.85 x 10 <sup>3</sup>	50	CDC.3808	
3.7 x 10 <sup>3</sup>	100	CDC.3809	
7.4 x 10 <sup>3</sup>	200	CDC.3810	
11.1 x 10 <sup>3</sup>	300	CDC.3811	
18.5 x 10 <sup>3</sup>	500	CDC.3820	
37 x 10 <sup>3</sup>	1000	CDC.3821	
74 x 10 <sup>3</sup>	2000	CDC.3822	
111 x 10 <sup>3</sup>	3000	CDC.3823	
148 x 10 <sup>3</sup>	4000	CDC.3824	
185 x 10 <sup>3</sup>	5000	CDC.3825	
222 x 10 <sup>3</sup>	6000	CDC.3826	
259 x 10 <sup>3</sup>	7000	CDC.3827	
296 x 10 <sup>3</sup>	8000	CDC.3828	
333 x 10 <sup>3</sup>	9000	CDC.3829	
370 x 10 <sup>3</sup>	10000	CDC.38210	

\*Tolerance: -10%, +15%  
Content activity nominal -0, +25%

Recommended working life: 15 years

#### Quality Control

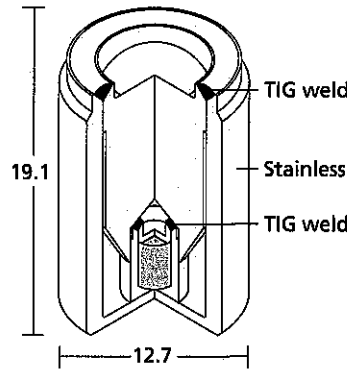
Wipe test A

Bubble test D

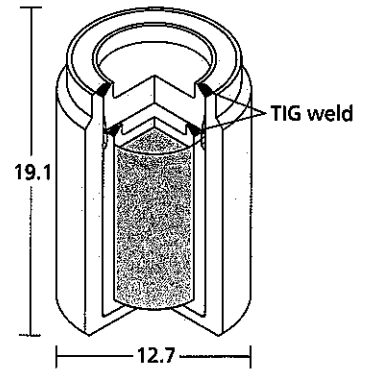
Immersion test M

Cs134 content < 1% of Cs137

X.38/2



X.38/4



### Safety performance testing

Capsule	ISO classification	IAEA special form	Model no.
X.38/4	C66646	US/363/S	CDC.711m
X.38/2	C66646	GB/23/5-85	CDC.700