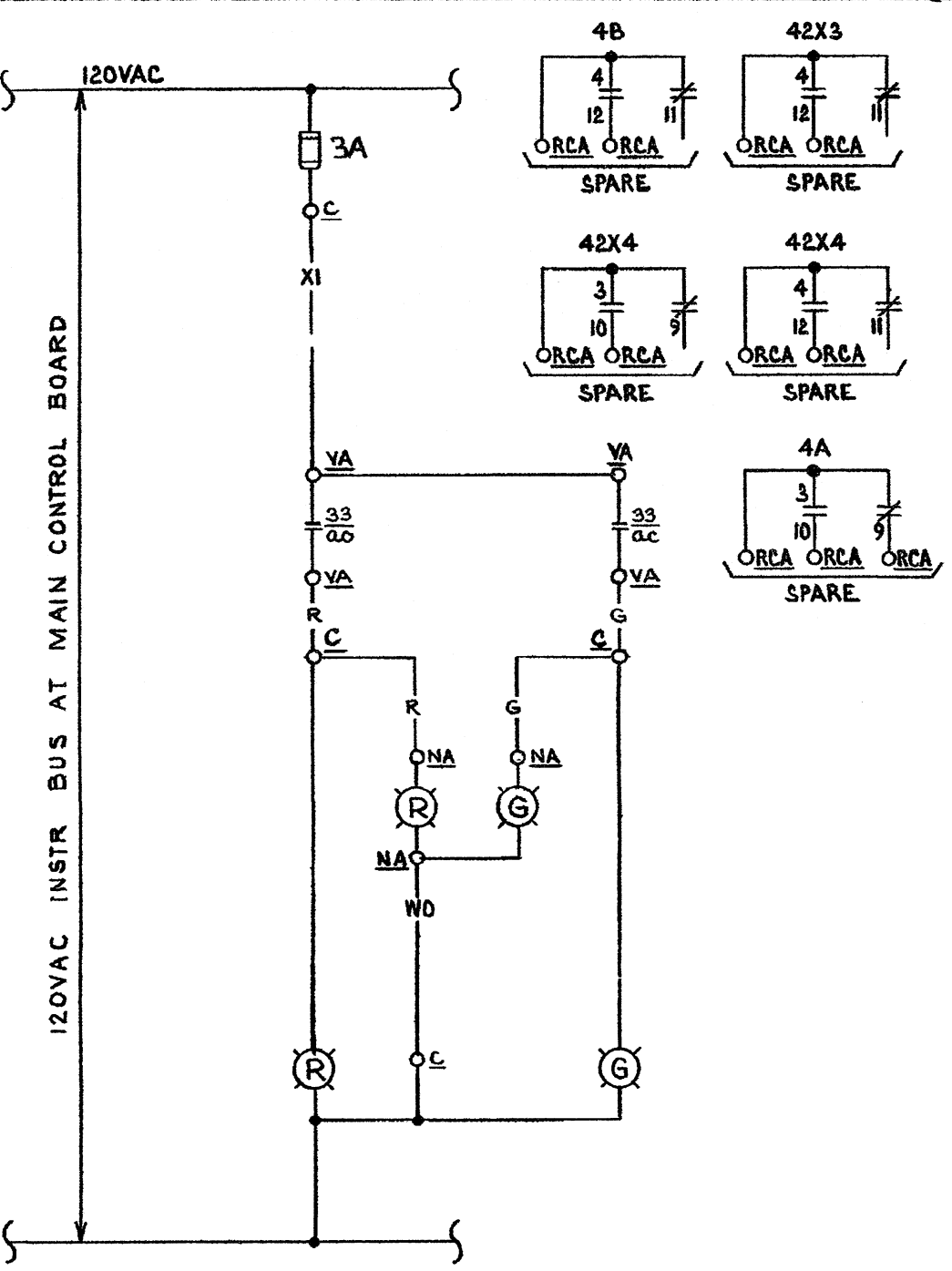
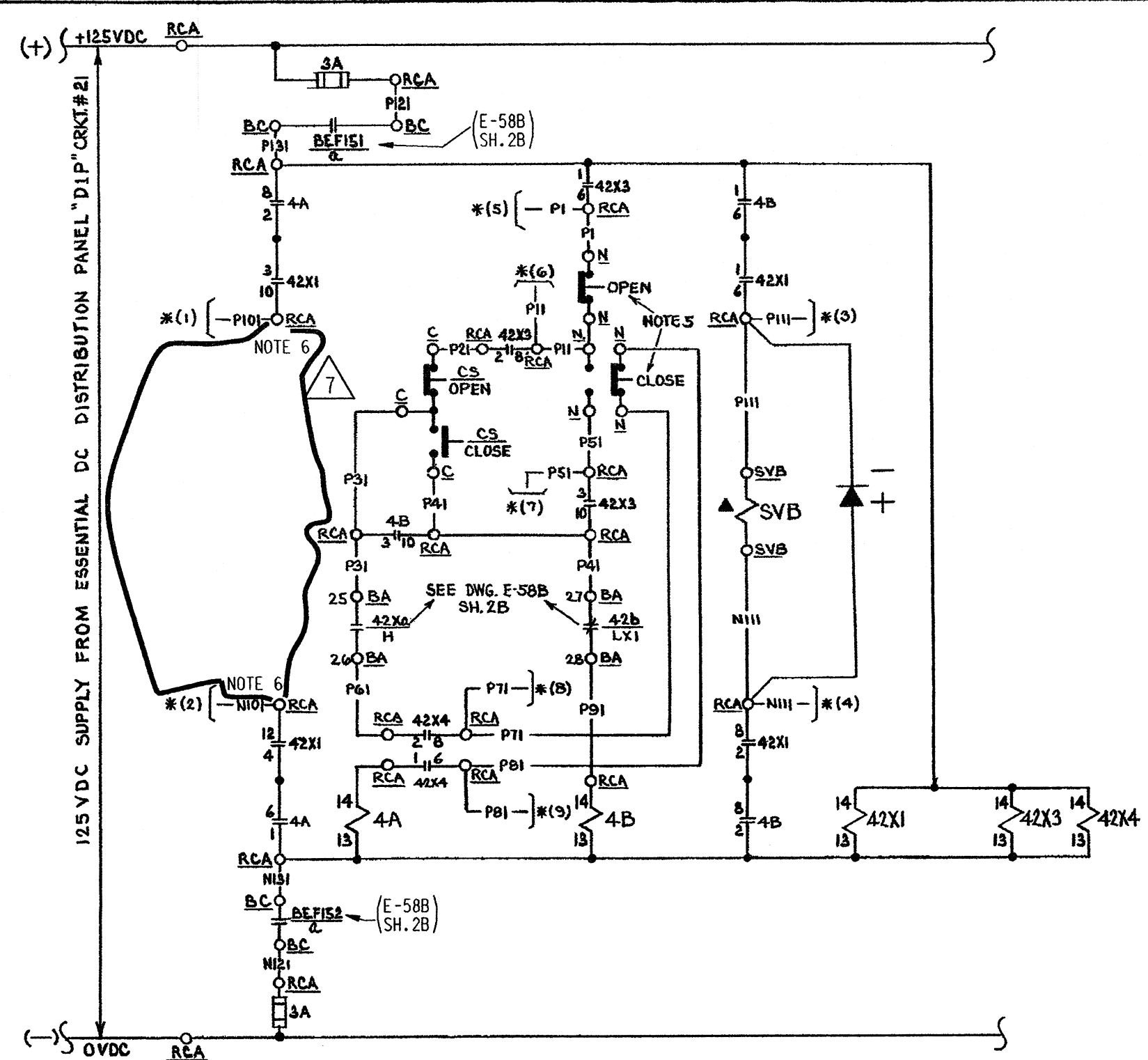


| | | | | | | | | | | | |
|--|---------|-----|---------|------------------|-----|-------|------|-------|-------|------|-------|
| INC. DUN 04-0212-003-010 REV. 00 | 2-8-14 | SAC | 8/14/12 | INITIALS ON FILE | APC | MC | AS | MS | CHIEF | PROJ | OWNER |
| INC. DUN 11-0140-001-005 REV. 00 (REDRAWN) | 8/18/73 | APC | MC | AS | MS | CHIEF | PROJ | OWNER | | | |
| ISSUED FOR CONSTRUCTION | | | | | | | | | | | |
| REV. DESCRIPTION | | | | | | | | | | | |
| 7 | | | | | | | | | | | |
| 6 | | | | | | | | | | | |
| 0 | | | | | | | | | | | |



FOR NOTES, LEGENDS, & BLOCK DIAGRAM SEE DWG E-48B SH.33C.

SCHEME NO. V1358A

* CONT'D ON DWG. E-48B SH.33B TO LINE MATCHING THE NUMBER IN PARENTHESIS ().

▲ VALVE OPENS WHEN SVB IS DE-ENERGIZED, CLOSES WHEN SVB IS ENERGIZED.

THIS DWG. WAS REDRAWN/SCANNED ON CAD AND SUPERSEDES REVISION 5.

DB 01-07-14

DAVIS-BESSE NUCLEAR POWER STATION
 THE TOLEDO EDISON COMPANY
 THE CLEVELAND ELECTRIC ILLUMINATING COMPANY

ELEMENTARY WIRING DIAGRAMS
LAKE WATER SYSTEM
CTMT AIR CLR 1-3 OUT VLV

| | | | |
|-----------------|-------------|---------------------|----------|
| BECHTEL COMPANY | JOB NO. | DRAWING NO. | REV. |
| | 7749 | E-48B SH.33A | 7 |

DFN: F/SCHEME/E48BSH33A.DGN/TIF