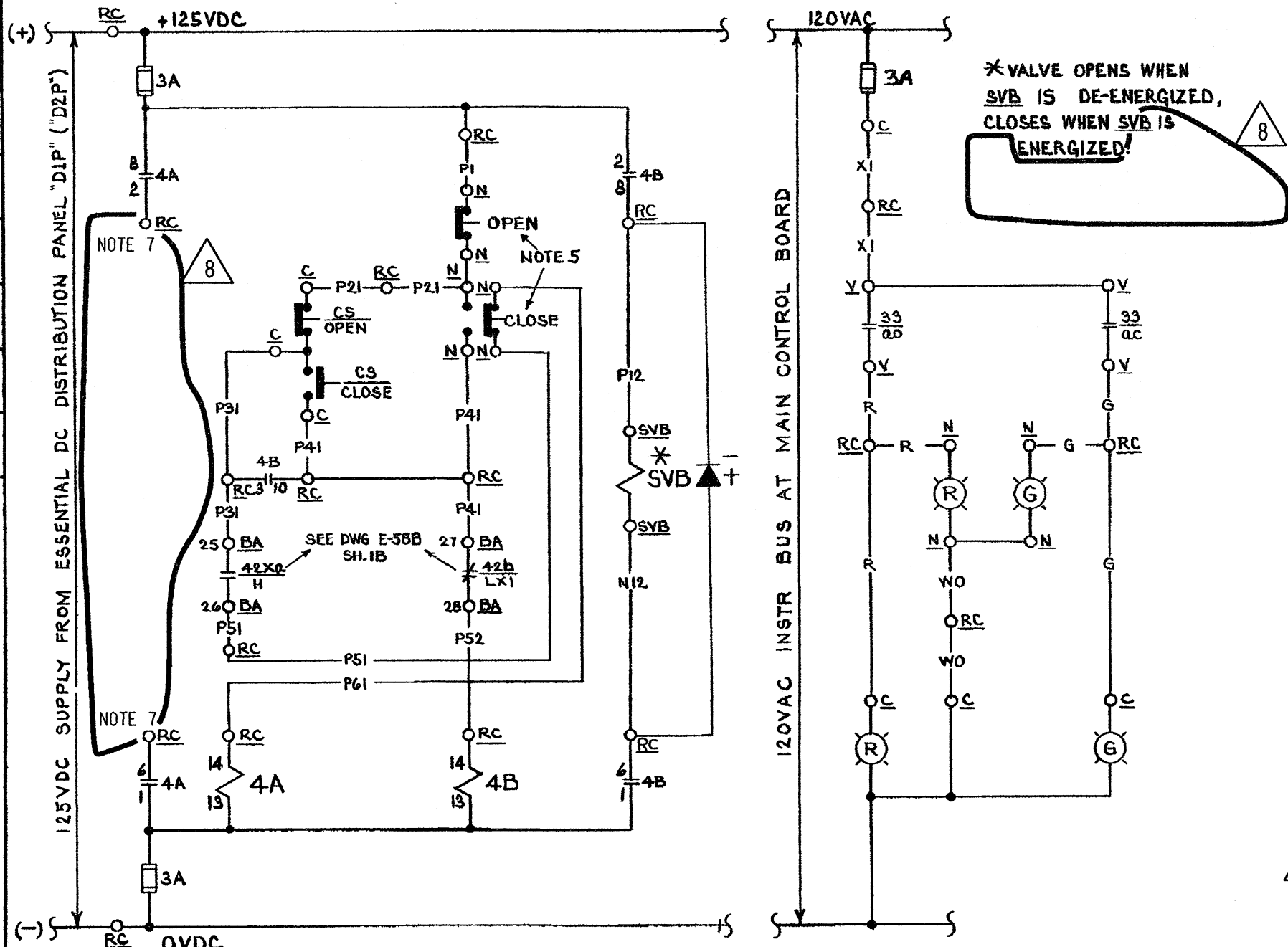


7	INC. DUN. E-48B-467 PER ECR04-0053-00 REV. 0	DATE	DR	CHK	SUPV	CHIEF	PROJ	OWNER
8	INC. DUN 04-0212-001-010 & -002-010 BOTH REV. 00 (REDRAWN)	2-8-73	APC	MARKS	SYS	CS	RC	RC
9	ISSUED FOR CONSTRUCTION	2-8-73	APC	MARKS	SYS	CS	RC	RC
10	REV. DESCRIPTION							

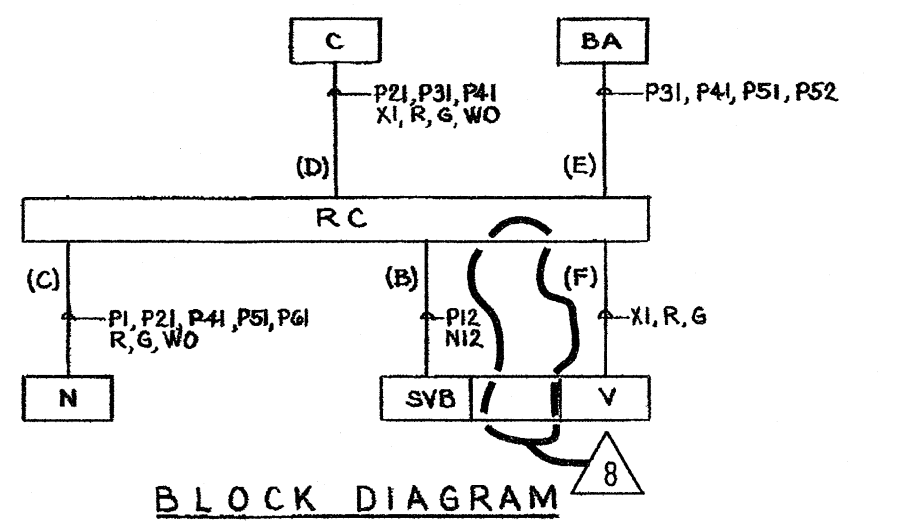


SCHEME NO. (SEE TABLE)

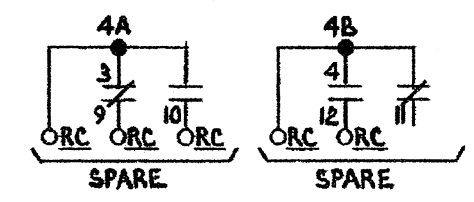
LEGEND

SCHEME NO	SU NO	CHANNEL	WIRE PREFIX AT MAIN CTRL BD	CS	EQUIPMENT				DESCRIPTION		
					C	RC	SVB	BA			
V1356	II	1	A0A	HIS1356	C5716	RC3701	NOTE 7	SV1356B	NV1356	BE1401	CTMT AIR CLR 1-1 OUTLET
V1357	II	2	A0B	HIS1357	C5716	RC3702	NOTE 7	SV1357B	NV1357	BF1401	CTMT AIR CLR 1-2 OUTLET

■ CONTROLLED VALVE HAS THE SAME NO AS THE SCHEME NO.



BLOCK DIAGRAM



NOTES

- FOR GENERAL NOTES SEE DWG E-48B INDEX SHEET
- FOR DETAILS OF CONTROL SW (CS) SEE DWG E-30B SH. 7 FIG 7C
- FOR DETAILS OF LOCAL INDICATING LIGHTS SEE DWG. E-30B SH 7 TYPES 4.
- FOR VALVE LIMIT SW CONTACT DESIGNATION SEE DWG E-30B SH. 8
- LOCAL PUSHBUTTONS SHALL BE REES CAT # 00294-002 FOR 'OPEN' PB. AND CAT # 00294-003 FOR 'CLOSE' P.B.
- CONTROL SWITCH CS OPENS AND CLOSES THE VALVE ONLY WHEN FAN IS OFF.
- SVB HAS BEEN REMOVED AND ITS CABLE HAS BEEN DETERMINATED AT THE RELAY CABINET AND VALVE JUNCTION BOX AND SPARED IN PLACE.

THIS DRAWING WAS REDRAWN/SCANNED ON CAD AND SUPERSEDES REV. 7.

DAVIS-BESSE NUCLEAR POWER STATION
 THE TOLEDO EDISON COMPANY
 THE CLEVELAND ELECTRIC ILLUMINATING COMPANY

ELEMENTARY WIRING DIAGRAMS
 LAKE WATER SYSTEM
 CTMT AIR CLR'S 1-1 & 1-2 OUTLET VLV'S

BECHTEL COMPANY	JOB NO	DRAWING NO.	REV.
	7749	E-48B SH.13	8