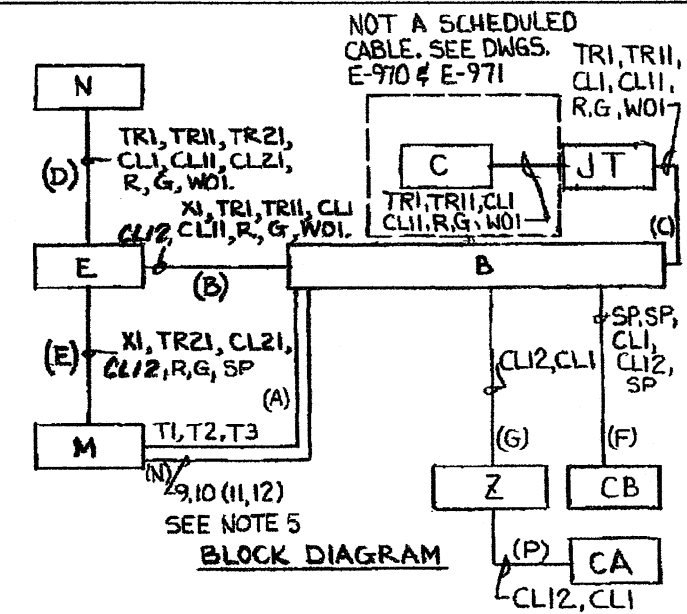
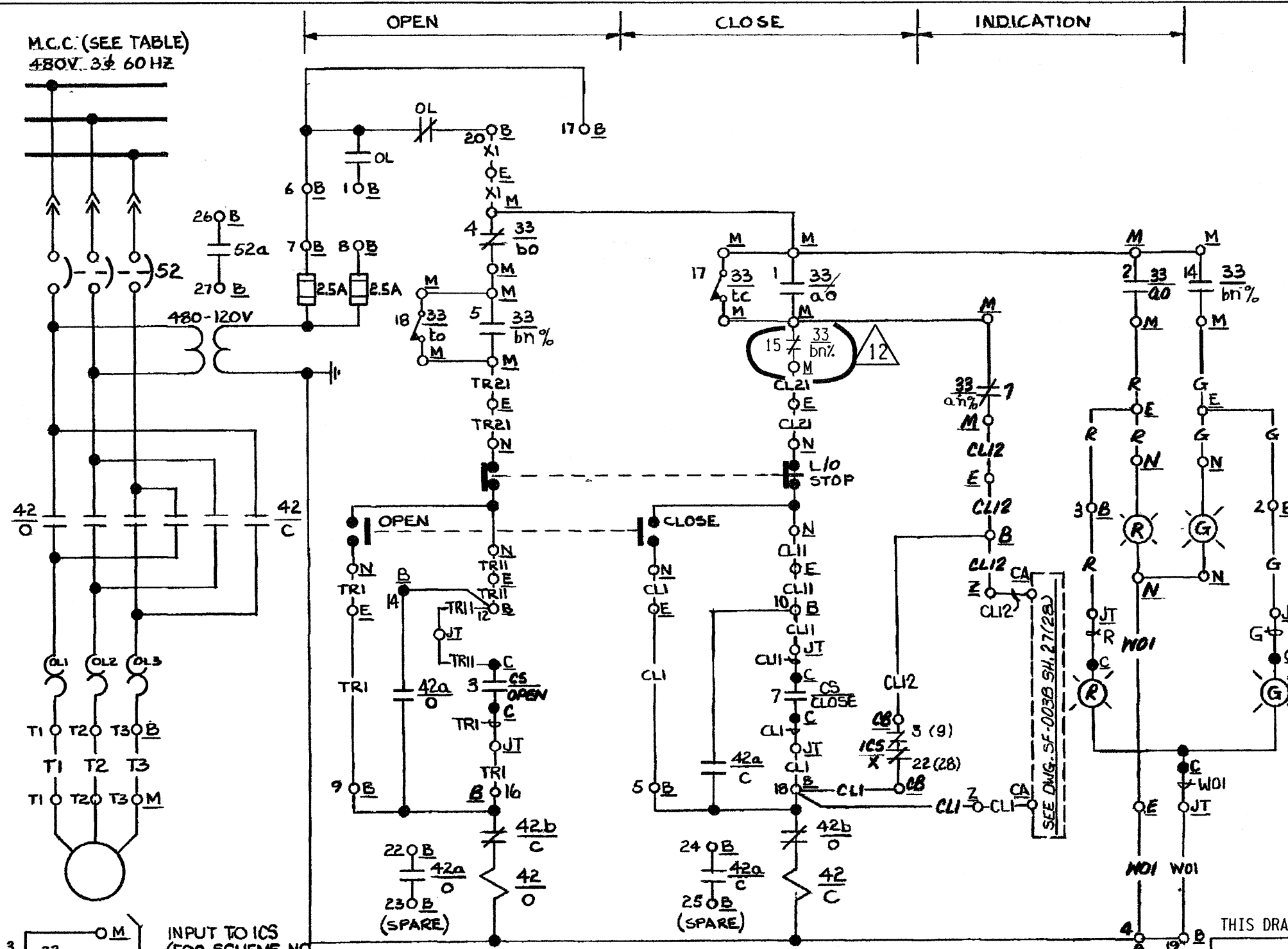


INC. DUN'S 02-0252-001-001 & 02-0252-002-001 BOTH REV. 1 (REDRAWN) 12	DATE	DR	CHK	SUPV	CHIEF	PROJ	OWNER
AS BUILT FOR 86-91, REV. A, INC. DCN E-44B-TIF-172, FOR 87-70, SUPD. INC. DCN E-44B-21, 212 GEN. UPDATE, MOD. 87-107, SUP. 2, INC. DCN E-44B-250 #260, SUP. 4, INC. DCN E-44B-302	12/19/72	12/19/72	SJH	MCL/KS	WJG	WJG	WJG
ISSUED FOR CONSTRUCTION							



- NOTES:
- FOR GENERAL NOTES SEE DRAWING INDEX E-44B.
 - FOR VALVE LIMIT SWITCH DEVELOPMENT SEE DRAWING E-30B, SH. 8, FIG. A (SEE NOTE 6 THIS SHEET).
 - FOR DETAILS OF LOCAL PUSHBUTTONS & INDICATING LIGHTS SEE DRAWING E-30B, SH. 7, TYPES 3, 4 & 5.
 - FOR DETAILS OF CS SEE DWG. E-30B, SH. 7, FIG. 7.
 - INFORMATION IN PARENTHESIS ARE FOR SCHEME BF3261 ONLY
 - FIELD TO ADJUST ROTOR#2 WITH SWITCH CONTACTS 5 THRU 8 TO ACTUATE WHEN VALVE REACHES 20% OPEN (+5%, -0%).
 - DELETED.
 - ADD LOCAL CONTROL SWITCH GUARD ASSEMBLY PER E-302A, SH. 185A & B TO SWITCH NV07790, NV07800.
 - FOR SFRCS SCHEMATIC SEE DWG. SF-003B, SH. 27 (28)
 - FIELD TO ADJUST ROTOR 4 FOR FW779 & FW780 SUCH THAT CONTACT 15 OPENS WHEN VALVE IS CLOSED. (I.E. AFTER HARD SEAT CONTACT).

THIS DRAWING WAS REDRAWN/SCANNED ON CAD AND SUPERSEDES REV. 11

DAVIS-BESSE NUCLEAR POWER STATION
 THE TOLEDO EDISON COMPANY
 THE CLEVELAND ELECTRIC ILLUMINATING COMPANY

SCHEME N°	M.C.C.	START UP N°	CHANNEL	WIRE PREFIX	CS	EQUIPMENT							ICS/X RELAY	DESCRIPTION		
						C	CB	B	N	E	M	CA			Z	JT
BE3213	E32A	045	A	FII	HIS 780	C5708	C5761B	BE3213	NV07800	EV07800	MV07800	C5762A	C5762Z	JT5721	BE BLLVC	S.G. 1 MN. FW. ISO. VLV
BF3261	F32A	045	B	F2I	HIS 779	C5708	C5761B	BF3261	NV07790	EV07790	MV07790	C5792	C5792Z	JT5722	BE ALLVC	S.G. 2 MN FW ISO. VLV

FOR DETAILS SEE BECHTEL V.P. FILE 7749-M-533-58 (B&W 21-00-411)

BECHTEL COMPANY	JOB NO.	DRAWING NO.	REV.
	7749	E-44B SH-5	12