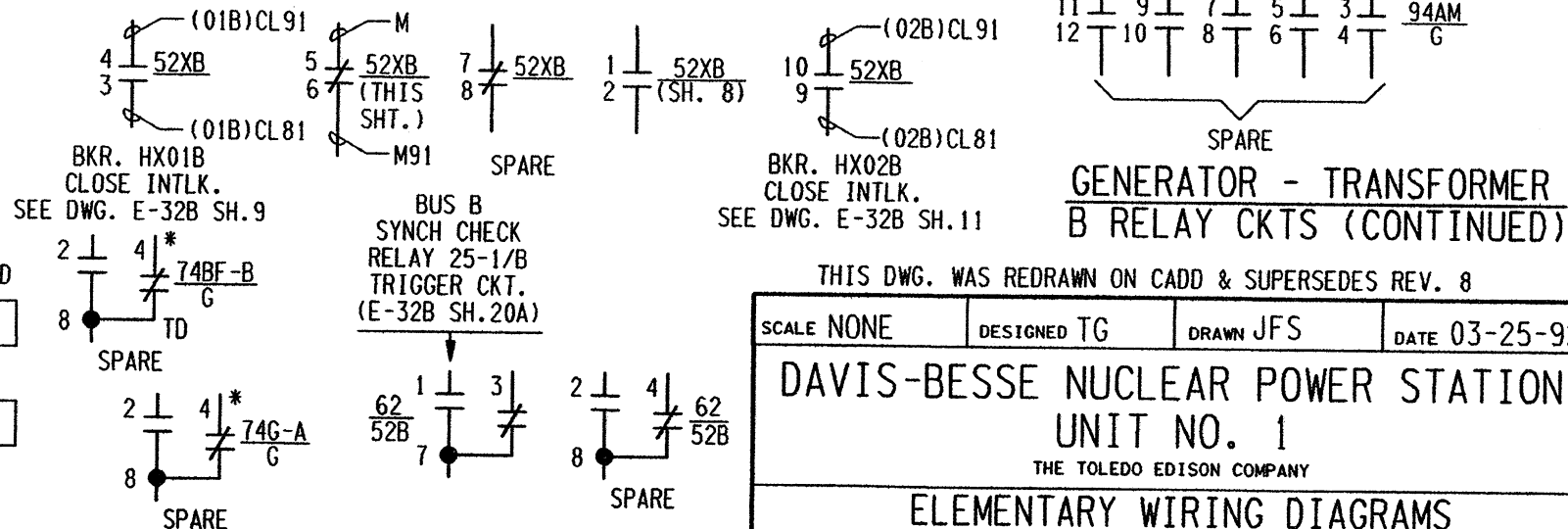


SCHEME NO. GX02 (CONTINUED) - CHANNEL B  
START-UP SYS. NO. 087/098

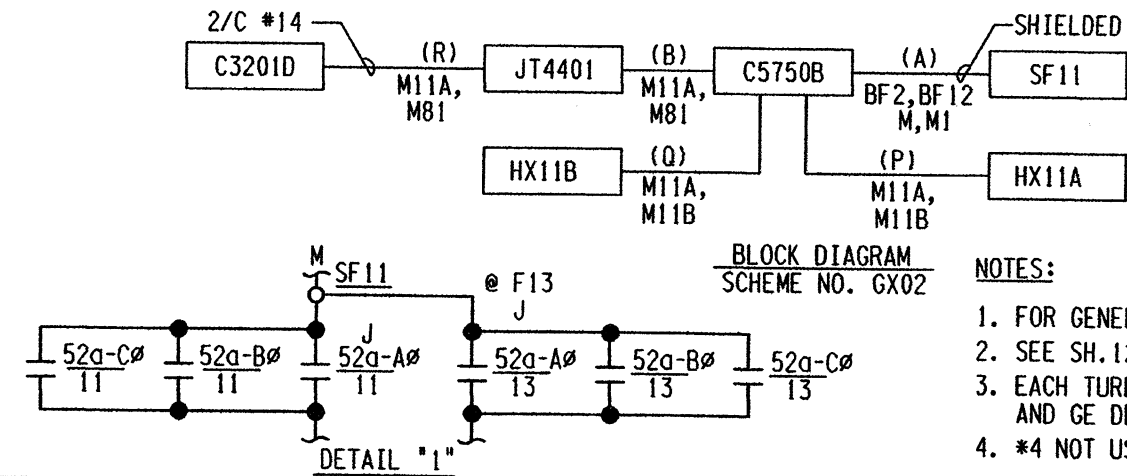
NOTES: (CONT'D)

5. 4TSBT-RLY-1 AND 2 CONTACTS WHICH HAVE 2 OUT OF 3 LOGIC CLOSE WHEN ALL STOP VALVES ARE CLOSED AND EACH COMBINED INTERMEDIATE VALVE HAS EITHER THE INTERMEDIATE STOP VALVE OR THE INTERCEPT VALVE CLOSED WILL ENERGIZE RELAY 94AM/G (NO STEAM PATH THROUGH THE HIGH PRESSURE AND LOW PRESSURE TURBINES).



NOTES:

1. FOR GENERAL NOTES & LOCATION DESIGNATIONS SEE DWG. INDEX E-31B.
2. SEE SH.12, & SH.15 FOR RELAY CONTACT ASSIGNMENTS.
3. EACH TURBINE VALVE POSITION SWITCH IS SHOWN WITH BOTH BECHTEL AND GE DESIGNATIONS, THE LATTER IS SHOWN IN PARENTHESIS.
4. \*4 NOT USED - SEE GE INSTRUCTIONS GEI 10190G.



BLOCK DIAGRAM  
SCHEME NO. GX02

DETAIL "1"

NO.	DATE	REVISIONS	BY	CHK'D	ENGR.	ENGR. SUPV.	GEN. SUPV.
15	6/12/14	INC. DUN 05-0140-004-141 REV.00					
14	1/31/05	INC. DCN E-31B-200 PER ECR 04-0152-00 (CR 02-04591)					
13	1-23-03	INC. DCN E-31B-174 PER EWR 01-0101-00; DCN E-31B-146 PER MOD 90-0002 SUP.02 & GEN. UPDATE CORRECT SPELLING IN REDRAWN NOTE "SUPERSEDES"					
16	7/23/97	INC. DUN 14-0422-001-002 REV.00	SBW				

THIS DWG. WAS REDRAWN ON CADD & SUPERSEDES REV. 8

SCALE NONE	DESIGNED TG	DRAWN JFS	DATE 03-25-92
<b>DAVIS-BESSE NUCLEAR POWER STATION</b> <b>UNIT NO. 1</b> <small>THE TOLEDO EDISON COMPANY</small>			
<b>ELEMENTARY WIRING DIAGRAMS</b> <b>GENERATOR AND TRANSFORMER PROTECTION</b> <b>TRIPPING AND LOCK-OUT RELAY CKTS</b>			
DRAWING NO.			REV.
E-31B SH.9			16