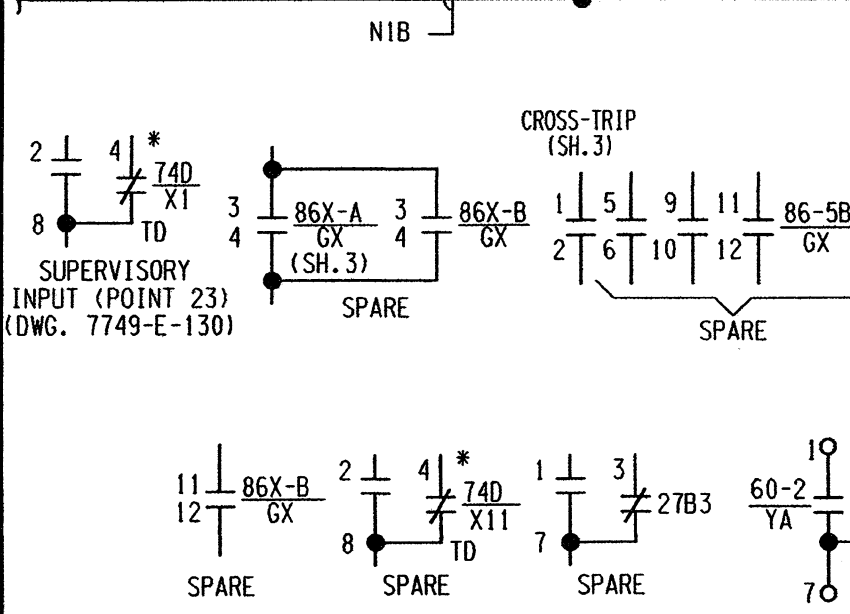


FILE	INITIALS	BY	CH'K	ENGR.	ENGR. SUPV.	GEN. SUPV.
ON FILE	ON FILE	SBW	SW			

NO.	DATE	REVISIONS
11	5-7-12	INC. DUN 05-0255-001-007 REV.00
12	5-9-92	INC. DUN 12-0134-001-005 REV.00
7	5-9-92	GEN. UPDATE REDRAWN ON CAD TO IMPROVE LEGIBILITY



SCHEME NO. GX02-CHANNEL B  
START-UP SYS. NO. 087/098

NOTES:

1. FOR GENERAL NOTES & LOCATION DESIGNATIONS SEE DRAWING INDEX E-31B.
2. SEE SH.12 & SH.15 FOR RELAY CONTACT ASSIGNMENTS.
3. \*4 NOT USED - SEE GE INSTRUCTIONS GEI 10190G.

GENERATOR - TRANSFORMER  
B RELAY CKTS

THIS DWG. WAS REDRAWN ON CAD AND SUPERSEDES REVISION 6.

SCALE NONE	DESIGNED TG	DRAWN JAD	DATE 03-24-92
DAVIS-BESSE NUCLEAR POWER STATION UNIT NO. 1 THE TOLEDO EDISON COMPANY			
ELEMENTARY WIRING DIAGRAMS GENERATOR AND TRANSFORMER PROTECTION TRIPPING AND LOCK-OUT RELAY CKTS			
DRAWING NO.			REV.
E-31B SH. 8			12