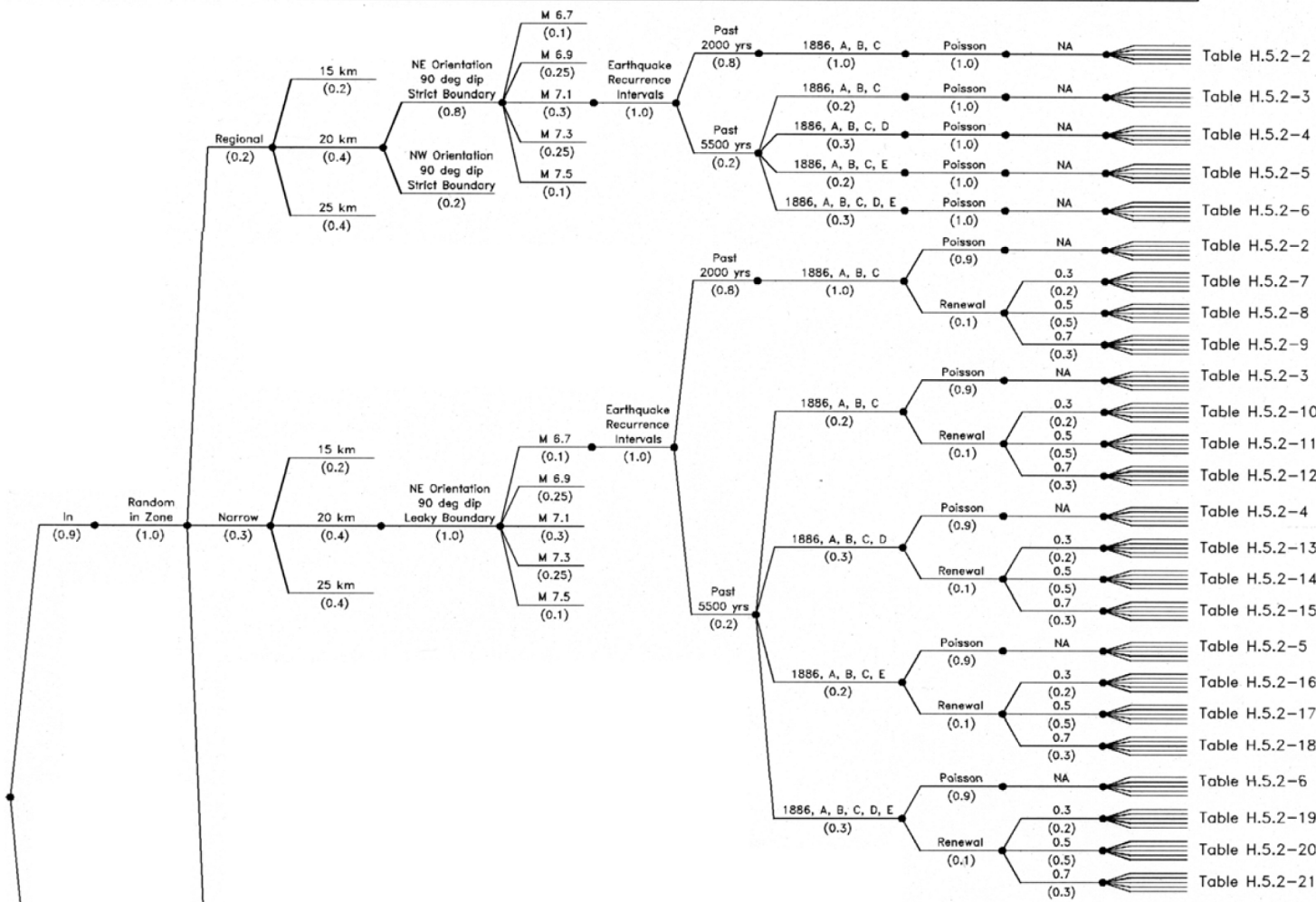


In or Out of Cluster	Localizing Tectonic Feature	Source Geometry	Seismogenic Crustal Thickness	Rupture Orientation	RLME Magnitudes	Recurrence Method	Time Period	Earthquake Count	Earthquake Recurrence Model	Repeat Time Coefficient of Variation (Alpha)	RLME Annual Frequency
----------------------	-----------------------------	-----------------	-------------------------------	---------------------	-----------------	-------------------	-------------	------------------	-----------------------------	--	-----------------------



Note: CEUS SSC logic tree showing the full characterization of the Charleston RLME source, modified after Figure H-5.2-1(a) of the CEUS SSC report (NUREG 2115). For RLME annual frequency information, see tables H-5.2-2 through H-5.2-21 from the CEUS SSC report (NUREG 2115).

WILLIAM STATES LEE III NUCLEAR STATION UNITS 1 & 2
CEUS SSC Logic Tree for Charleston RLME Corrected on June 27, 2012 FIGURE 2.5.2-261c Rev 8