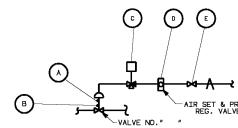
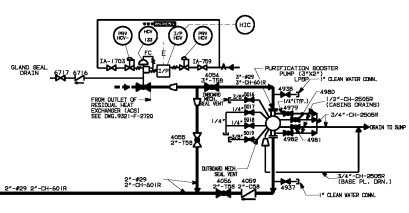
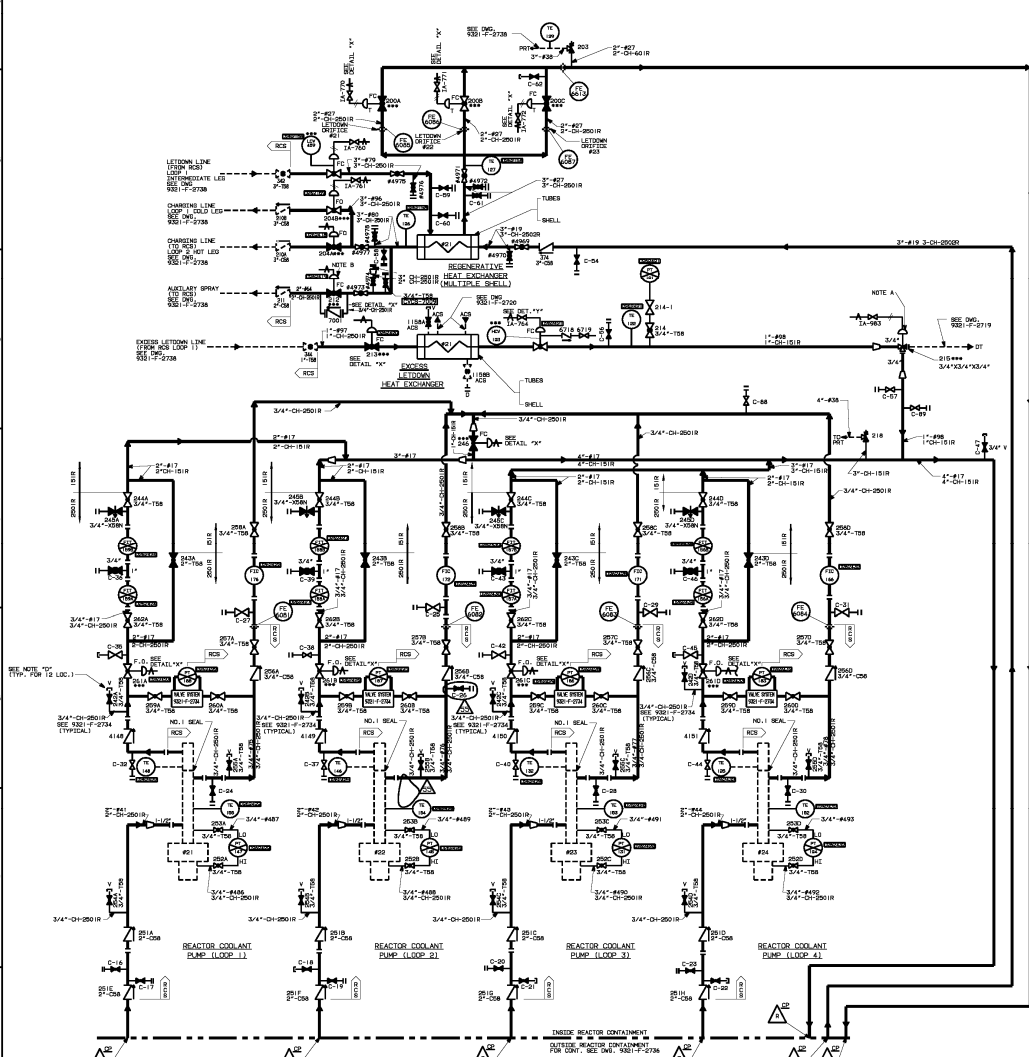


NO	INCORPORATED	EC-21200	4/9/10	REV	DESCRIPTION
1					REVISED FOR P. 18
2					REVISED FOR P. 18
3					REVISED FOR P. 18
4					REVISED FOR P. 18
5					REVISED FOR P. 18

REVISION
 1. REVISED FOR P. 18
 2. REVISED FOR P. 18
 3. REVISED FOR P. 18
 4. REVISED FOR P. 18
 5. REVISED FOR P. 18



VALVE NO.	A	B	C	D	E
246	ZC-246-1	ZC-246-2	SOV-246	PRV-246	IA-775
261A	ZC-261A-1B	ZC-261A-2B	SOV-261A	PRV-261A	IA-768
261B	ZC-261B-1B	ZC-261B-2B	SOV-261B	PRV-261B	IA-767
261C	ZC-261C-1B	ZC-261C-2B	SOV-261C	PRV-261C	IA-766
261D	ZC-261D-1B	ZC-261D-2B	SOV-261D	PRV-261D	IA-769
212	ZC-212-1B	ZC-212-2B	SOV-212	PRV-212	IA-1812
213	ZC-213-1B	ZC-213-2B	SOV-213	PRV-213	IA-765
SOVA	ZC-200A-1	ZC-200A-2	SOV-200A	PRV-200A	IA-770
200B	ZC-200B-1	ZC-200B-2	SOV-200B	PRV-200B	IA-771
200C	ZC-200C-1	ZC-200C-2	SOV-200C	PRV-200C	IA-772
215	ZC-215-1B	ZC-215-2B	SOV-215	PRV-215	IA-983
200A	ZC-200A-1	ZC-200A-2	SOV-200A	PRV-200A	IA-762
200B	ZC-200B-1	ZC-200B-2	SOV-200B	PRV-200B	IA-761
LCV-459	ZC-LCV-459-1	ZC-LCV-459-2	SOV-459	PRV-LCV-459	IA-760



NOTES
 A - VALVE FAILS WITH FLOW TO VOLUME CONTROL TANK & RELIEF VALVE.
 B - C - VALVE FUNCTIONS AS BOTH ISOLATION & RELIEF VALVE.
 C - VALVE INDICATES CONTROL VALVE HAS ADDITIONAL ASSOCIATED CONTROL EQUIPMENT & IS REPRESENTED ON CONTROL VALVE HOOD/CP DETAIL DRAWING.
 D - LINE CONTINUATION SEE DWG. 9321-F-2734 (TYP.) PER 12 LOC.
 E - LINE QUALITY GROUP A, B, C AND BEARING BOUNDARIES EXTEND TO THE BOUNDARIES SHOWN.
 INSERVICE INSPECTION NOTES:
 10% CONTAMINANT PENETRATION, ASSE CLASS MC APPLIES.
 20% NON-CRACK PIPING PENETRATION CONTAINMENT & NOT CLASSIFIED QUALITY GROUP "A", "B" OR "C" QUALITY GROUP MC DESIGNATION SHALL BE APPLIED.

WORK THIS DRAWING WITH
 DWG. 9321-F-2734
 AND DWG. 9321-F-2736

EVERYTHING ON THIS DRAWING IS UNLESS OTHERWISE SPECIFIED TO BE IN ACCORDANCE WITH THE REQUIREMENTS OF THE AMERICAN SOCIETY OF MECHANICAL ENGINEERS (ASME) QUALITY STANDARD FOR STEEL PIPING AT REACTOR COOLANT PUMPS (ASME B31.1).

REF. DWG.
 9321-C-2016 FLOW DIAGRAM SYMBOLS
 9321-F-2028 CONTAINMENT BULK PRIMARY COOLANT PRESSURIZER PIPING PLAN (SOUTH HALF)
 9321-F-2734 PIPING AT REACTOR COOLANT PUMPS

PROJECT
 EC-21200

NO. A208168-55

COMPANY
 Entergy INDIAN POINT

ENGINEER
 JOHN BRETHERTON

DATE
 11-8-07

APPROVALS

DESIGN
 R.J. BRETHERTON 11-8-07

CHECKED
 P.A. 8-17-09

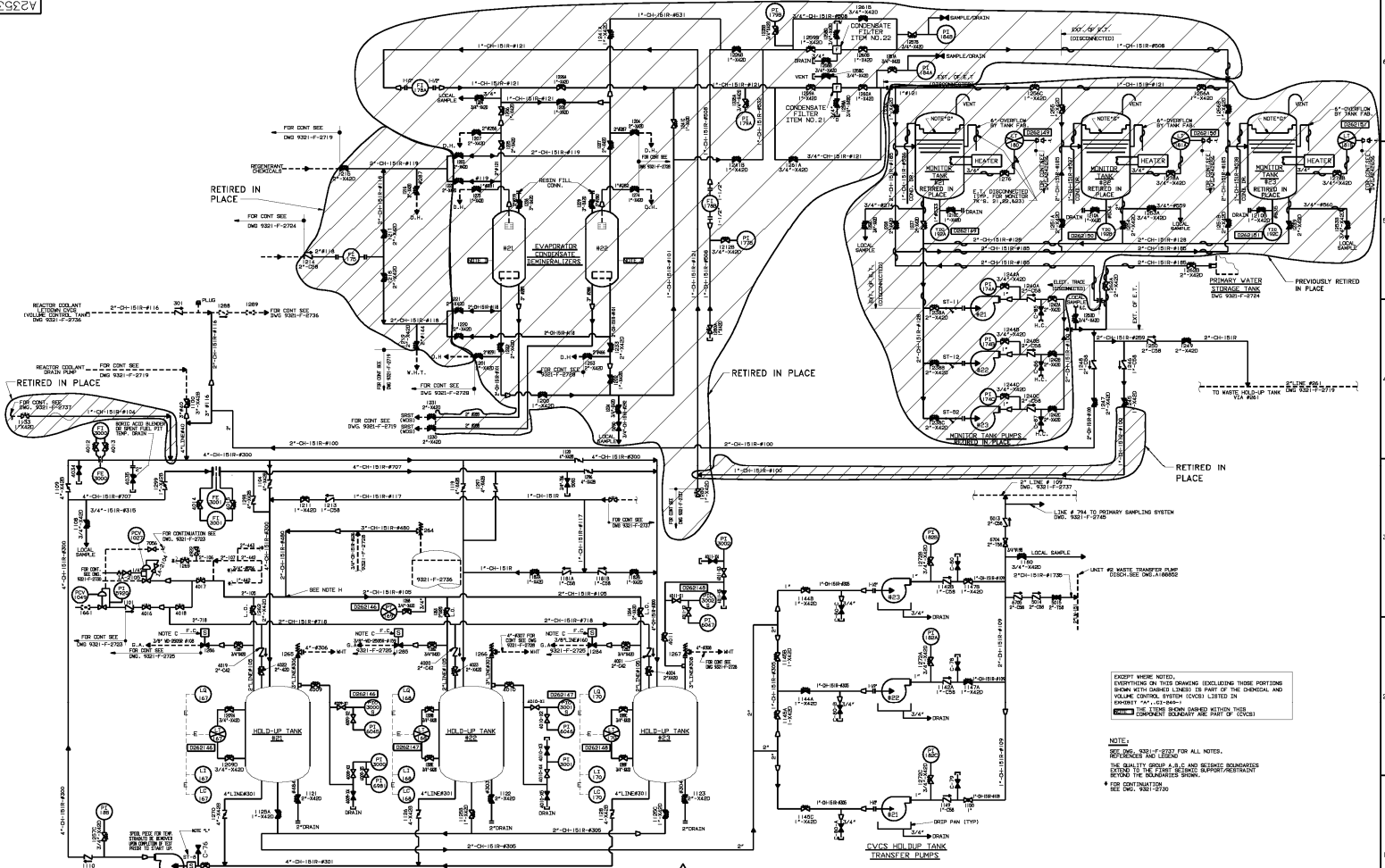
DATE
 MARCELLO 8-17-09

DATE
 L.S. 8-17-09

SCALE
 AS SHOWN

BY
 MY

A23309



EXCEPT WHERE NOTED, EVERYTHING ON THIS DRAWING (INCLUDING THOSE PORTIONS SHOWN WITH DASHED LINES) IS IN FULL COMPLIANCE WITH THE CHEMICAL AND VOLUME CONTROL SYSTEM (CVCS) LISTED IN EXHIBIT 'A' OF DRAWING A23309.

NOTE:
 1. SEE NOTE 4 OF 2737 FOR ALL NOTES, REFERENCES AND LEGEND.
 2. THE SYSTEM IS TO BE OPERATED IN ACCORDANCE WITH THE OPERATING PROCEDURES BEFORE THE RELEASED POINT.
 3. FOR CONTINUATION SEE DRAWING A23309.

WORK THIS DRAWING WITH 9321-F-2737

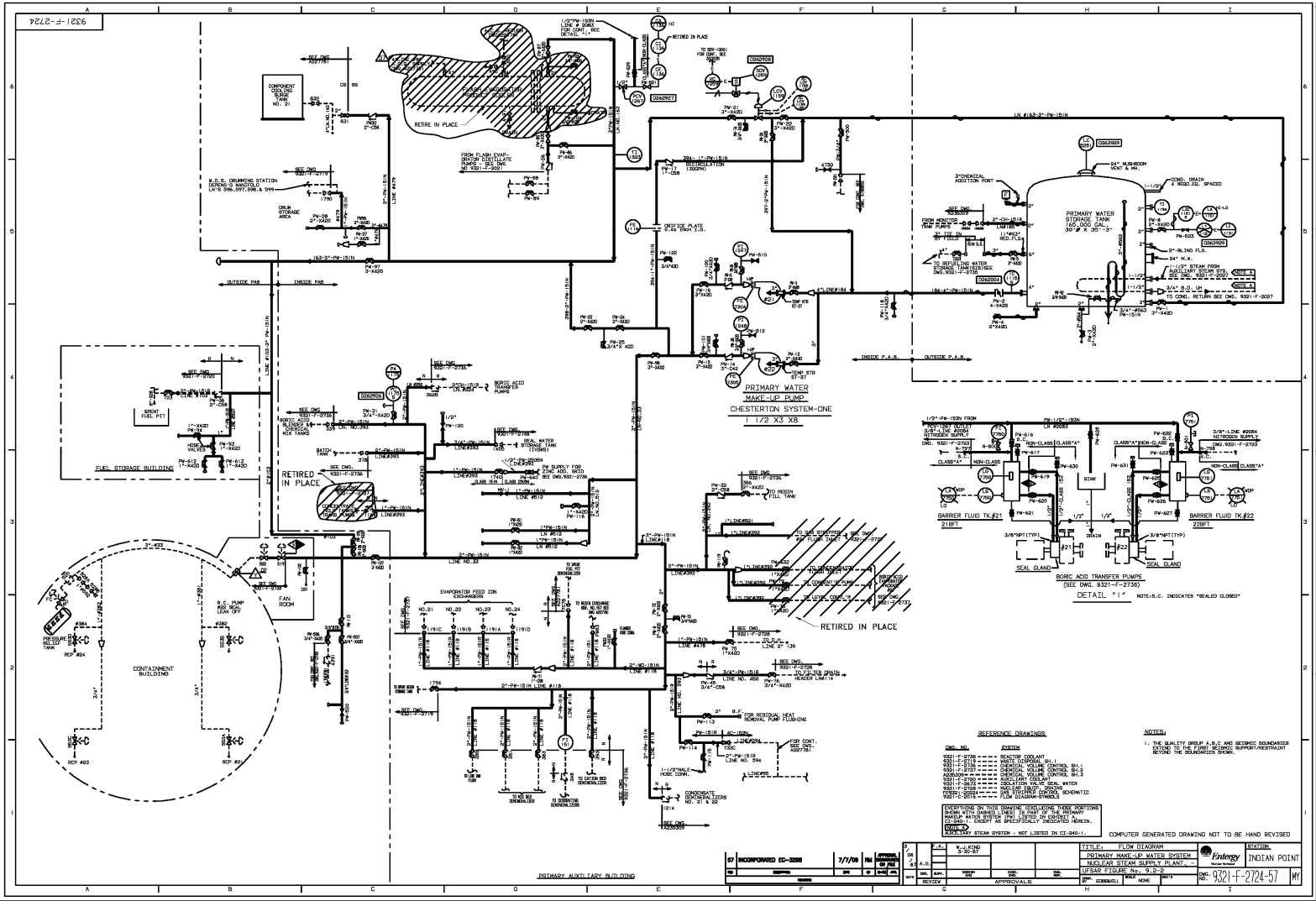
RECIRCULATION PUMP

REV	DATE	BY	CHKD	DESCRIPTION
1	03/15/01	S. BALA		ISSUED FOR CONSTRUCTION
2	03/15/01	S. BALA		ISSUED FOR CONSTRUCTION
3	03/15/01	S. BALA		ISSUED FOR CONSTRUCTION

NO.	DATE	BY	CHKD	DESCRIPTION
1	03/15/01	S. BALA		ISSUED FOR CONSTRUCTION
2	03/15/01	S. BALA		ISSUED FOR CONSTRUCTION
3	03/15/01	S. BALA		ISSUED FOR CONSTRUCTION

TITLE:	FLOW DIAGRAM	SCALE:	INDIAN POINT
SUB-TITLE:	CHEMICAL & VOLUME CONTROL SYSTEM	DATE:	03/15/01
DESIGNER:	S. BALA	CHECKED:	S. BALA
APPROVED:		DATE:	03/15/01
PROJECT NO.:	A23309	REV. NO.:	37

7828-J-1226



REFERENCE DRAWINGS

DESIGN: 8001-10000
 8001-10001
 8001-10002
 8001-10003
 8001-10004
 8001-10005
 8001-10006
 8001-10007
 8001-10008
 8001-10009
 8001-10010
 8001-10011
 8001-10012
 8001-10013
 8001-10014
 8001-10015
 8001-10016
 8001-10017
 8001-10018
 8001-10019
 8001-10020
 8001-10021
 8001-10022
 8001-10023
 8001-10024
 8001-10025
 8001-10026
 8001-10027
 8001-10028
 8001-10029
 8001-10030
 8001-10031
 8001-10032
 8001-10033
 8001-10034
 8001-10035
 8001-10036
 8001-10037
 8001-10038
 8001-10039
 8001-10040
 8001-10041
 8001-10042
 8001-10043
 8001-10044
 8001-10045
 8001-10046
 8001-10047
 8001-10048
 8001-10049
 8001-10050
 8001-10051
 8001-10052
 8001-10053
 8001-10054
 8001-10055
 8001-10056
 8001-10057
 8001-10058
 8001-10059
 8001-10060
 8001-10061
 8001-10062
 8001-10063
 8001-10064
 8001-10065
 8001-10066
 8001-10067
 8001-10068
 8001-10069
 8001-10070
 8001-10071
 8001-10072
 8001-10073
 8001-10074
 8001-10075
 8001-10076
 8001-10077
 8001-10078
 8001-10079
 8001-10080
 8001-10081
 8001-10082
 8001-10083
 8001-10084
 8001-10085
 8001-10086
 8001-10087
 8001-10088
 8001-10089
 8001-10090
 8001-10091
 8001-10092
 8001-10093
 8001-10094
 8001-10095
 8001-10096
 8001-10097
 8001-10098
 8001-10099
 8001-10100

NOTES

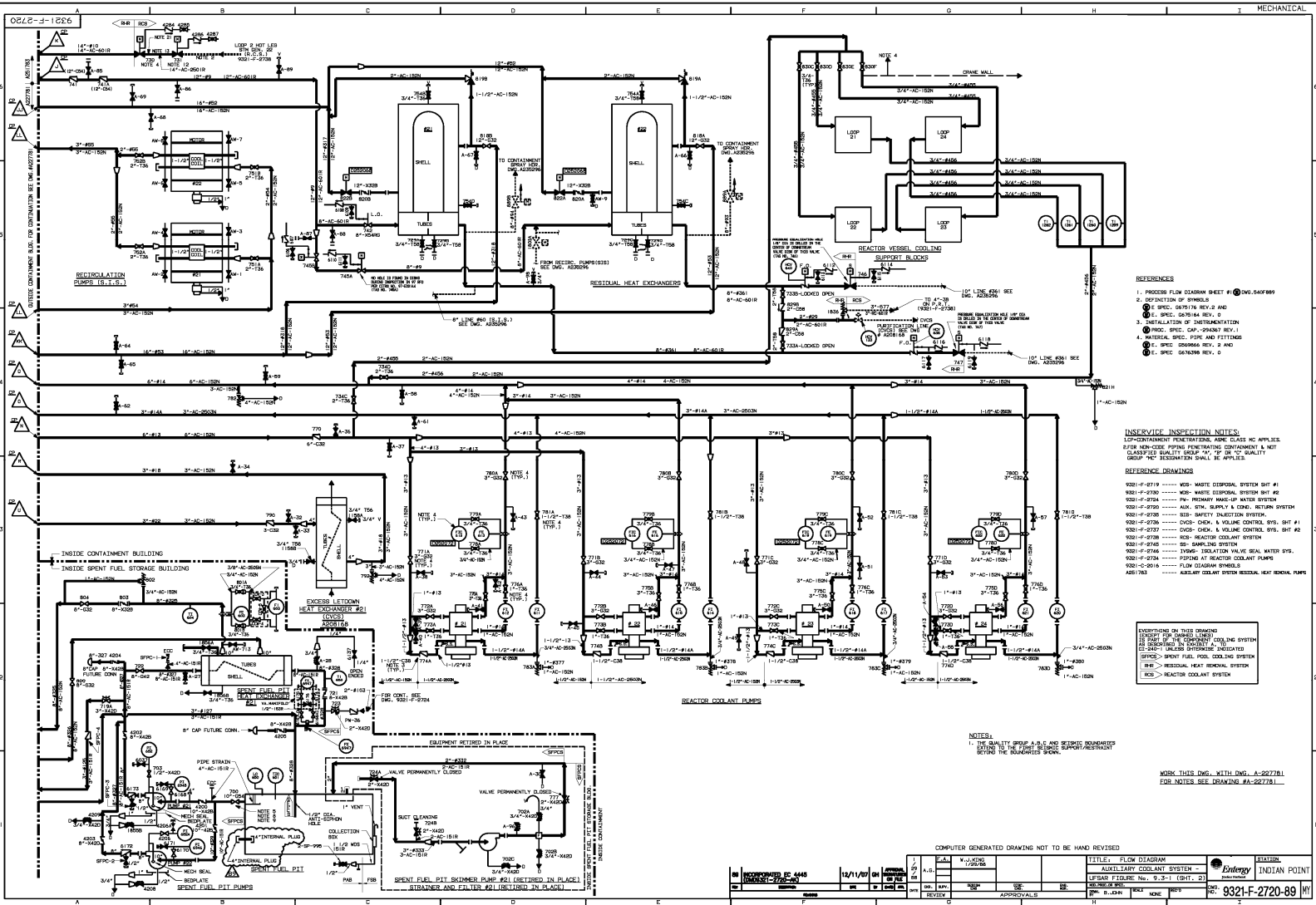
1. THE QUALITY GROUP A.B.C. AND RESISTOR COMPONENTS BELONG TO THE PUMP-BORGIC SUPPORT/RESTRAINT

OVERVIEW: THIS DRAWING, INCLUDING THESE PORTIONS, IS A COMPUTER GENERATED DRAWING. IT IS NOT TO BE HAND REVISOR. IT IS THE PROPERTY OF THE QUALITY GROUP AND IS NOT TO BE REPRODUCED OR TRANSMITTED IN ANY FORM OR BY ANY MEANS, ELECTRONIC OR MECHANICAL, INCLUDING PHOTOCOPYING, RECORDING, OR BY ANY INFORMATION STORAGE AND RETRIEVAL SYSTEM. NOT LISTED IN CS-846-1.

COMPUTER GENERATED DRAWING NOT TO BE HAND REVISOR

REV	NO.	DATE	DESCRIPTION
1	1	7/7/00	ISSUED FOR CONSTRUCTION
2	2	7/7/00	ISSUED FOR CONSTRUCTION
3	3	7/7/00	ISSUED FOR CONSTRUCTION
4	4	7/7/00	ISSUED FOR CONSTRUCTION
5	5	7/7/00	ISSUED FOR CONSTRUCTION
6	6	7/7/00	ISSUED FOR CONSTRUCTION
7	7	7/7/00	ISSUED FOR CONSTRUCTION
8	8	7/7/00	ISSUED FOR CONSTRUCTION
9	9	7/7/00	ISSUED FOR CONSTRUCTION
10	10	7/7/00	ISSUED FOR CONSTRUCTION

TITLE FLOW DIAGRAM
PROJECT PRIMARY MAKE-UP WATER SYSTEM
CLIENT INDIAN POINT
DATE 7/7/00
SCALE AS SHOWN
DESIGNER [Signature]
CHECKED [Signature]
APPROVED [Signature]



- REFERENCES**
1. PROCESS FLOW DIAGRAM SHEET #1 DWG. 9321-F-2720-89
 2. IDENTIFICATION OF SYMBOLS
 3. E. SPEC. 60704 REV. 0
 4. E. SPEC. 60704 REV. 0
 5. INSTALLATION OF INSTRUMENTATION
 6. PROC. SPEC. CAP. 09487 REV. 1
 7. MATERIAL SPEC. PIPE AND FITTINGS
 8. E. SPEC. 050666 REV. 2 AND
 9. E. SPEC. 067039 REV. 0

INSIDE INSPECTION NOTES
 1. CONTAINMENT PENETRATIONS, AIR LEAKS, NO APPLICABLE FOR NON-CODE PIPING PENETRATING CONTAINMENT & NOT CLASSIFIED AS QUALITY ASSURANCE (QA) OR QA-Q QUALITY ASSURANCE (QA-Q) SHALL BE APPLIED

- REFERENCE DRAWINGS**
- 9321-F-2720-89 WASTE DISPOSAL SYSTEM SHIT #1
 - 9321-F-2720-89 WASTE DISPOSAL SYSTEM SHIT #2
 - 9321-F-2724-89 PRIMARY MAKE-UP WATER SYSTEM
 - 9321-F-2720-89 AUX. STEAM, BLEND & COND. RETURN SYSTEM
 - 9321-F-2728-89 SAFETY INJECTION SYSTEM
 - 9321-F-2729-89 OVER-CHEM. & VOLUME CONTROL SYS. SHIT #1
 - 9321-F-2727-89 OVER-CHEM. & VOLUME CONTROL SYS. SHIT #2
 - 9321-F-2728-89 REACTOR COOLANT SYSTEM
 - 9321-F-2748-89 BS SAMPLING SYSTEM
 - 9321-F-2746-89 ISOLATION VALVE SEAL WATER SYS.
 - 9321-F-2724-89 PIPING AT REACTOR COOLANT PUMPS
 - 9321-F-2716-89 FLOW DIAGRAM SYMBOLS
 - 9321-F-2718-89 REACTOR COOLANT SYSTEM

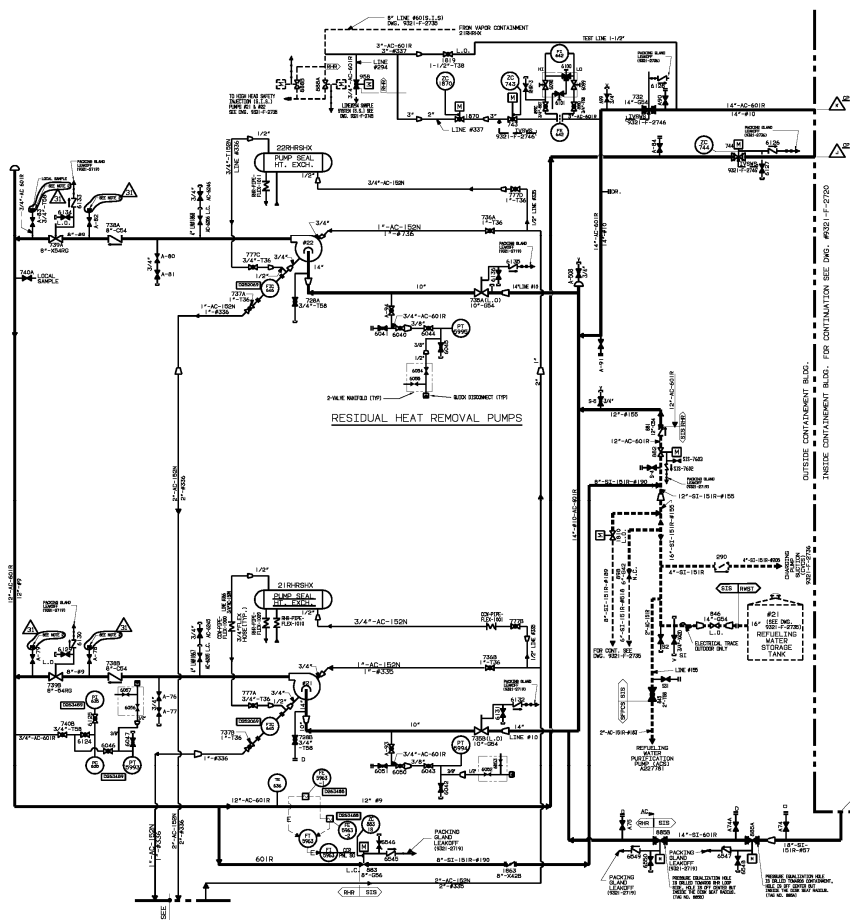
LEGEND FOR THIS DRAWING
 (SOLID LINE) REACTOR COOLANT SYSTEM
 (DASHED LINE) SPENT FUEL POND COOLING SYSTEM
 (DOTTED LINE) RESIDUAL HEAT REMOVAL SYSTEM
 (WAVE LINE) REACTOR COOLANT SYSTEM

NOTES
 1. THE QUALITY GROUP IS TO BE RESPONSIBLE FOR VERIFYING THE QUALITY OF THE WORK BEING PERFORMED BY THE CONTRACTOR BEYOND THE BOUNDARIES SHOWN.

WORK THIS DWG. WITH DWG. A-227781 FOR NOTES SEE DRAWING RA-227781

COMPUTER GENERATED DRAWINGS NOT TO BE HAND REVISED

NO. 08	REVISIONS	DATE	BY	CHKD.	APP'D.	TITLE: FLOW DIAGRAM	PROJECT: INDIAN POINT
01	ISSUED FOR CONSTRUCTION	12/11/07	J. J. JONES			AUXILIARY COOLANT SYSTEM - UPSAR FIGURE NO. 9.2-1 (SHT. 2)	9321-F-2720-89
02	REVISED						
03	REVISED						
04	REVISED						
05	REVISED						
06	REVISED						
07	REVISED						
08	REVISED						
09	REVISED						
10	REVISED						



NOTES:

1. THE QUALITY GROUP SHALL REPORT DEFICIENCIES TO THE QUALITY GROUP BEFORE THE DEFICIENCIES BECOME PERMANENT.
2. THE QUALITY GROUP SHALL REPORT DEFICIENCIES TO THE QUALITY GROUP BEFORE THE DEFICIENCIES BECOME PERMANENT.

INSERVICE INSPECTION NOTES:

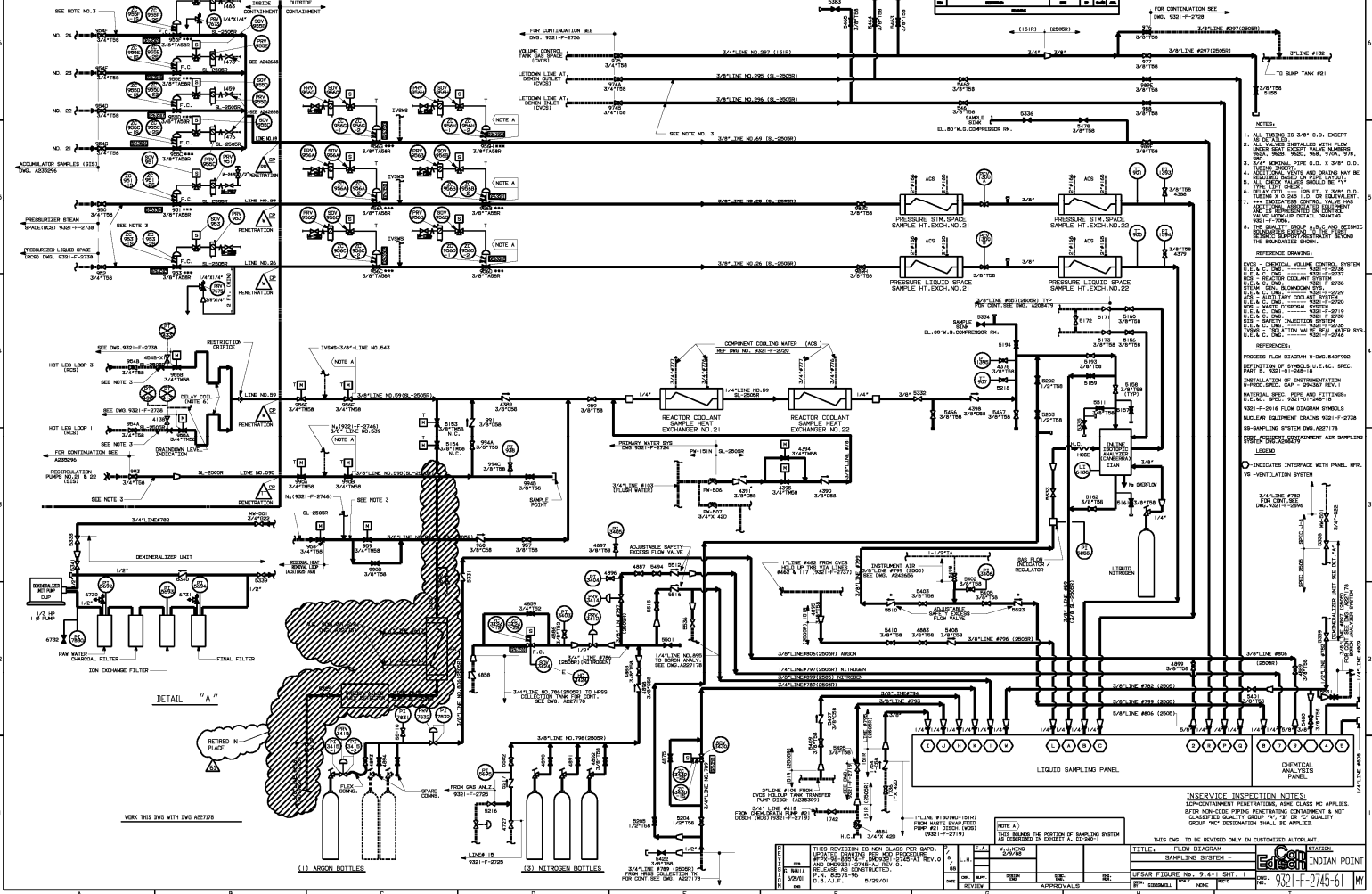
1. CONTAINMENT PENETRATIONS, ASSESS CLASS MC APPLIES.
2. FOR NON-CRITICAL PENETRATIONS, CONTAINMENT IS NOT CLASSIFIED QUALITY GROUP SHALL BE TO QUALITY GROUP AND DESIGNATION SHALL BE APPLIED.

FOR NOTES AND REF. DWGS. SEE DWG. A327781

31 INCORPORATED EC-38644 07/16/10		THIS DRAWING IS CLASS A FOR THE QUALITY GROUP. THE QUALITY GROUP SHALL REPORT DEFICIENCIES TO THE QUALITY GROUP BEFORE THE DEFICIENCIES BECOME PERMANENT.		ALL WORK SHALL BE COMPLETED BY THE QUALITY GROUP.		J. J. KING 10-26-10		TITLE: FLOW DIAGRAM SUBTITLE: RESIDUAL HEAT REMOVAL PUMPS - 2 LERAS FILE NO. 9.3-1 (SIT) 31		Entergy INDIAN POINT	
APPROVED: [Signature] DATE: 07/16/10		CHECKED: [Signature] DATE: 07/16/10		DESIGNED: [Signature] DATE: 07/16/10		DRAWN: [Signature] DATE: 07/16/10		REVISIONS: [Table] APPROVALS: [Table]		DWG. NO. A251783	

921Z-F-2745

REVISED 02/08/61 6/18/59 of 6/14/59



- NOTES:
1. ALL PIPING TO BE 3" O.D. SCHED 40.
 2. ALL VALVES TO BE 150# STEEL.
 3. ALL VALVES TO BE 150# STEEL, 1/2" NPT.
 4. ALL VALVES TO BE 150# STEEL, 1/2" NPT.
 5. ALL VALVES TO BE 150# STEEL, 1/2" NPT.
 6. ALL VALVES TO BE 150# STEEL, 1/2" NPT.
 7. ALL VALVES TO BE 150# STEEL, 1/2" NPT.
 8. THE QUALITY GROUP A.P.C. AND B.T.M.C. SHALL BE RESPONSIBLE FOR THE QUALITY OF THE SUPPLIED MATERIALS.

REFERENCE DRAWING:

PROCESS FLOW DIAGRAM NO. 4001000

INSTALLATION OF INSTRUMENTATION

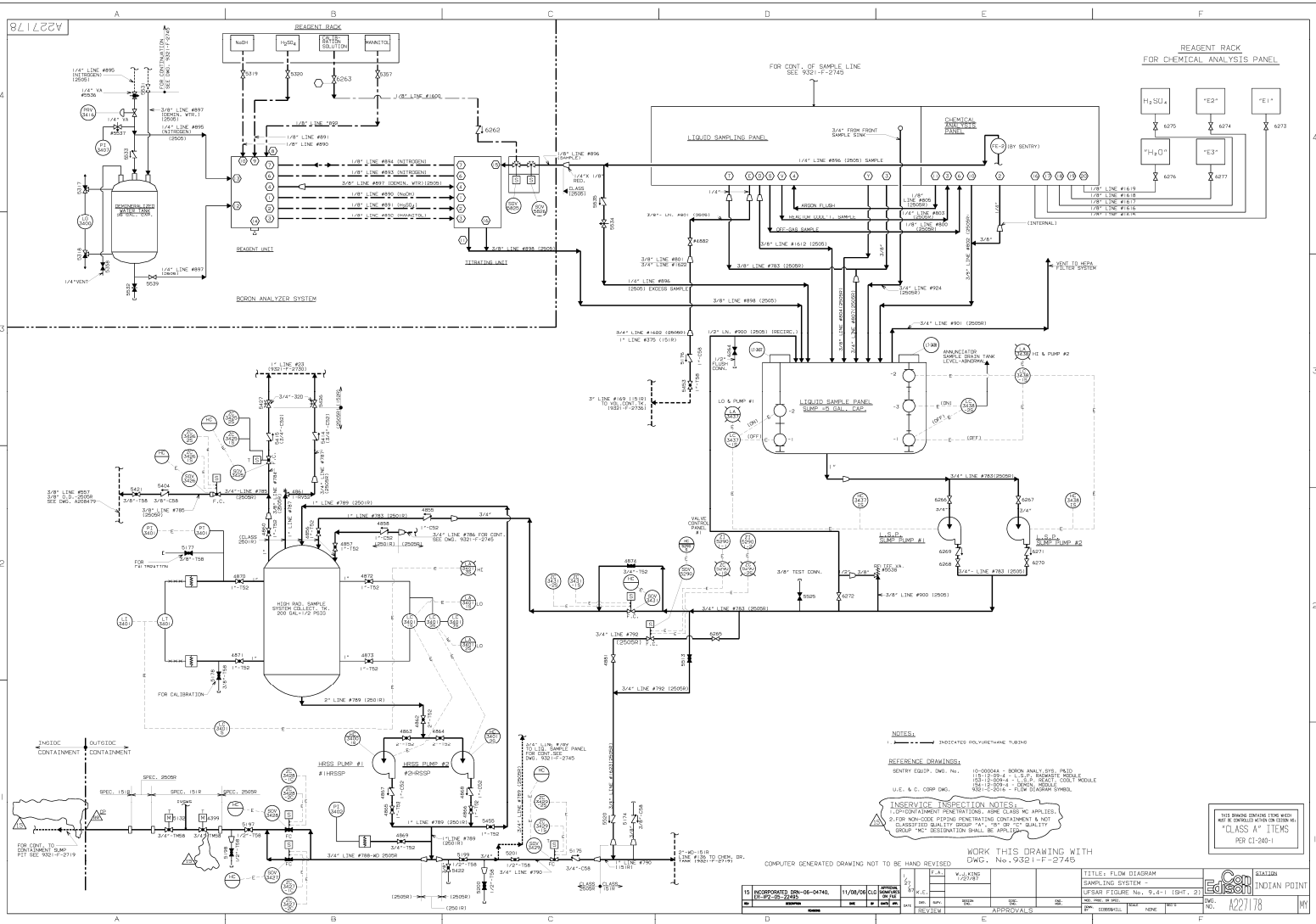
INSERVICE INSPECTION NOTES:

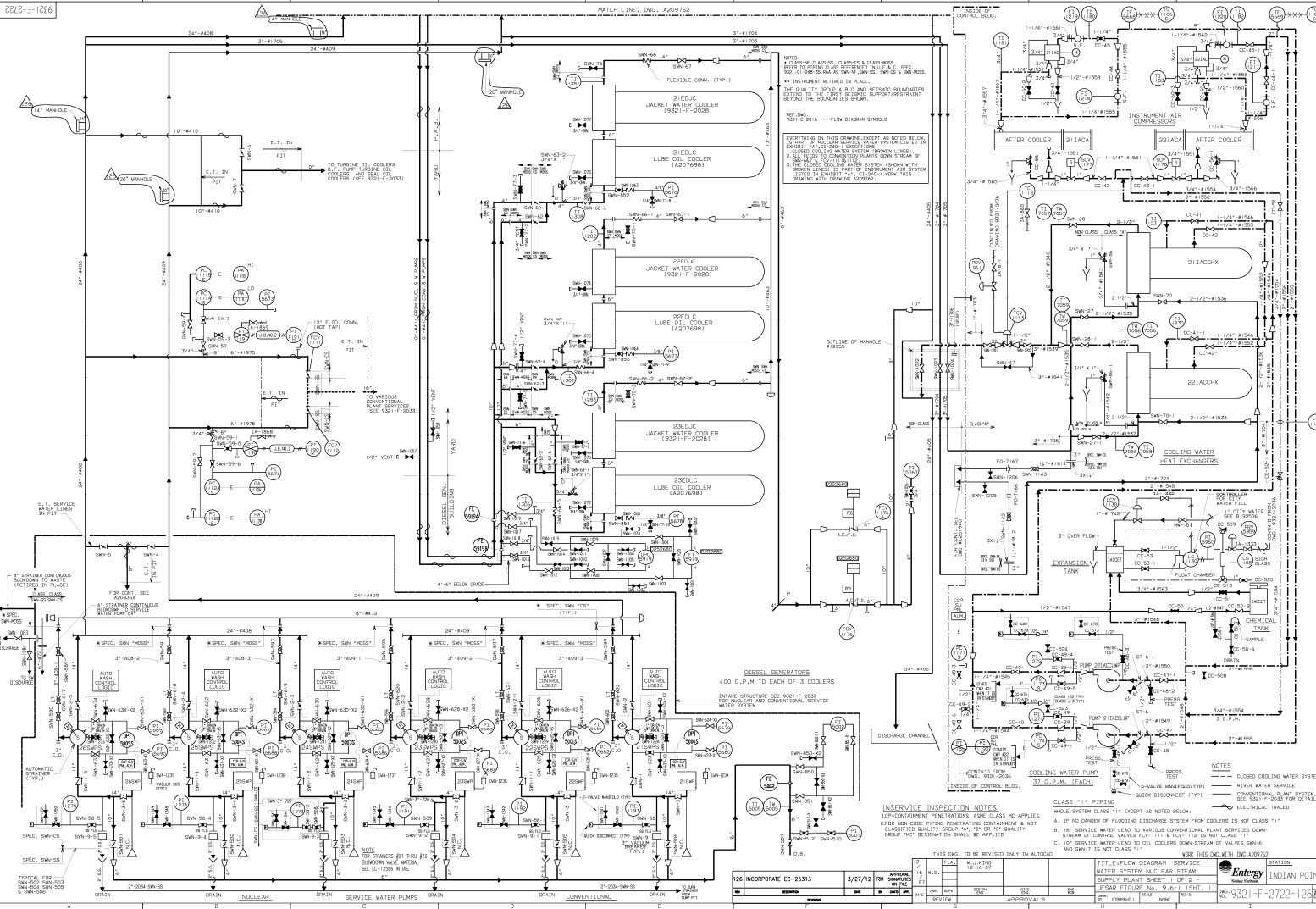
INSERVICE INSPECTION NOTES:
 INSERVICE INSPECTION NOTES:
 INSERVICE INSPECTION NOTES:

NO.	DATE	DESCRIPTION
1	6/14/59	ISSUED FOR CONSTRUCTION
2	6/18/59	REVISED
3	02/08/61	REVISED

THIS DRAWING IS THE PROPERTY OF THE GENERAL ELECTRIC COMPANY. IT IS TO BE KEPT IN CONFIDENCE AND NOT LOANED, REPRODUCED, COPIED, OR IN ANY MANNER DISCLOSED TO ANY OTHER PARTY WITHOUT THE WRITTEN PERMISSION OF THE GENERAL ELECTRIC COMPANY.

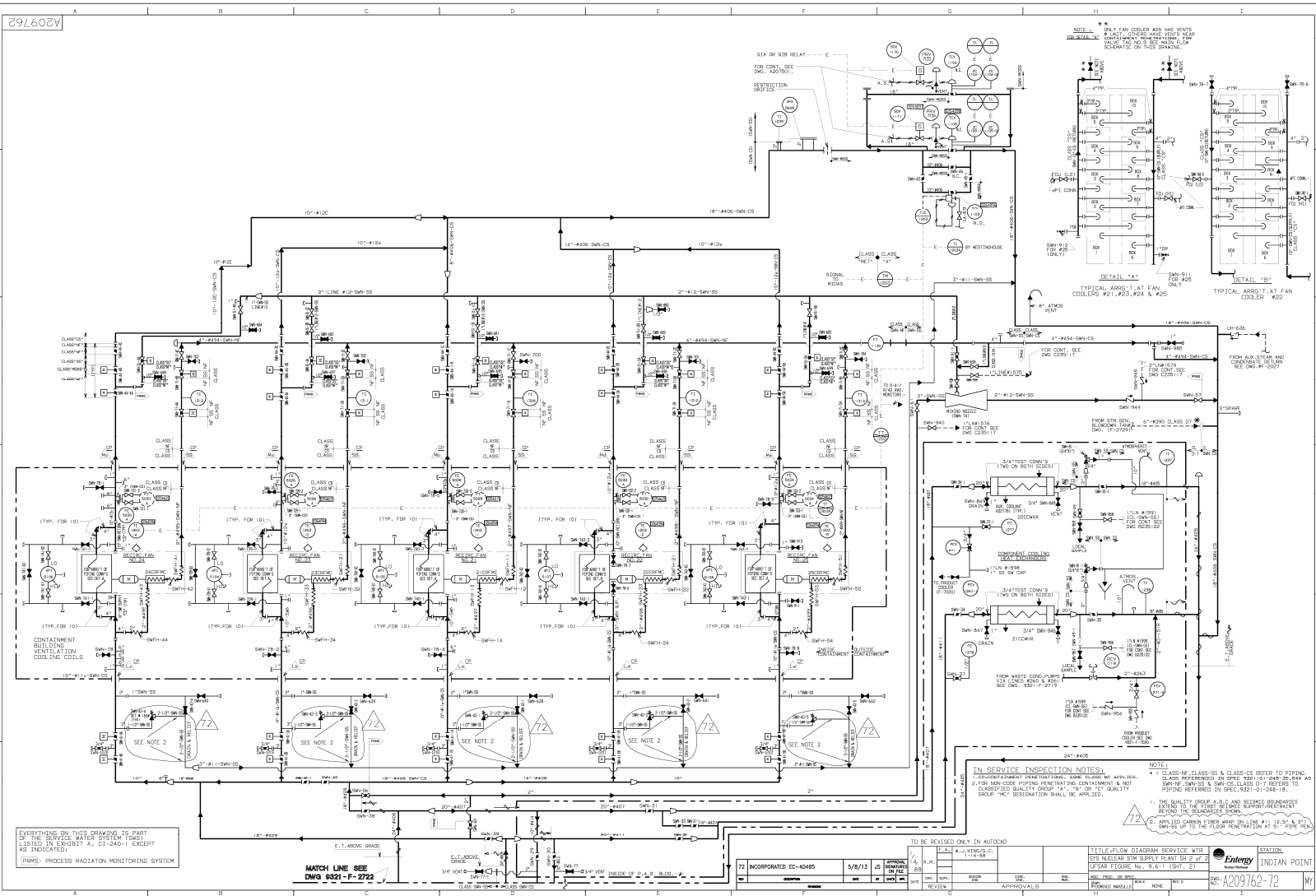
INSERVICE INSPECTION NOTES:
 INSERVICE INSPECTION NOTES:
 INSERVICE INSPECTION NOTES:





NO.	DESCRIPTION	DATE	BY	CHK.	APP.	REV.	DATE
028	INCORPORATE EC-25313	3/27/72					
029							
030							
031							
032							
033							
034							
035							
036							
037							
038							
039							
040							

ENTEGY INDIAN POINT
9321-F-2722-126



EVERYTHING ON THIS DRAWING IS PART OF THE SERVICE WATER SYSTEM (SWS) LISTED IN EXHIBIT A, (1-5401) EXCEPT AS INDICATED.
 (FORM - PROCESS RADIATION MONITORING SYSTEM)

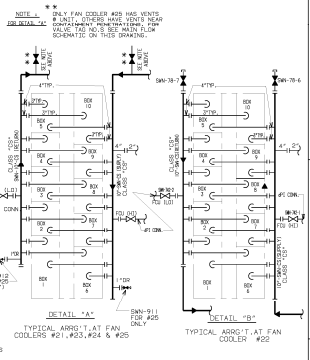
MATCH LINE SEE
 DWG 8321-P-2722

TO BE REVISED ONLY IN AUTOCAD

INCORPORATED EC-4048B	5/8/13	JS	DESIGNED	DATE
REV	BY	CHK	APP	DATE
72

PROJECT: LITTLE FLOW DIAGRAM SERVICE WATER
OWNER: IUPUI
DATE: 5/8/13

SCALE: 1/8" = 1'-0"
DESIGNER: [Name]
CHECKER: [Name]
DATE: 5/8/13



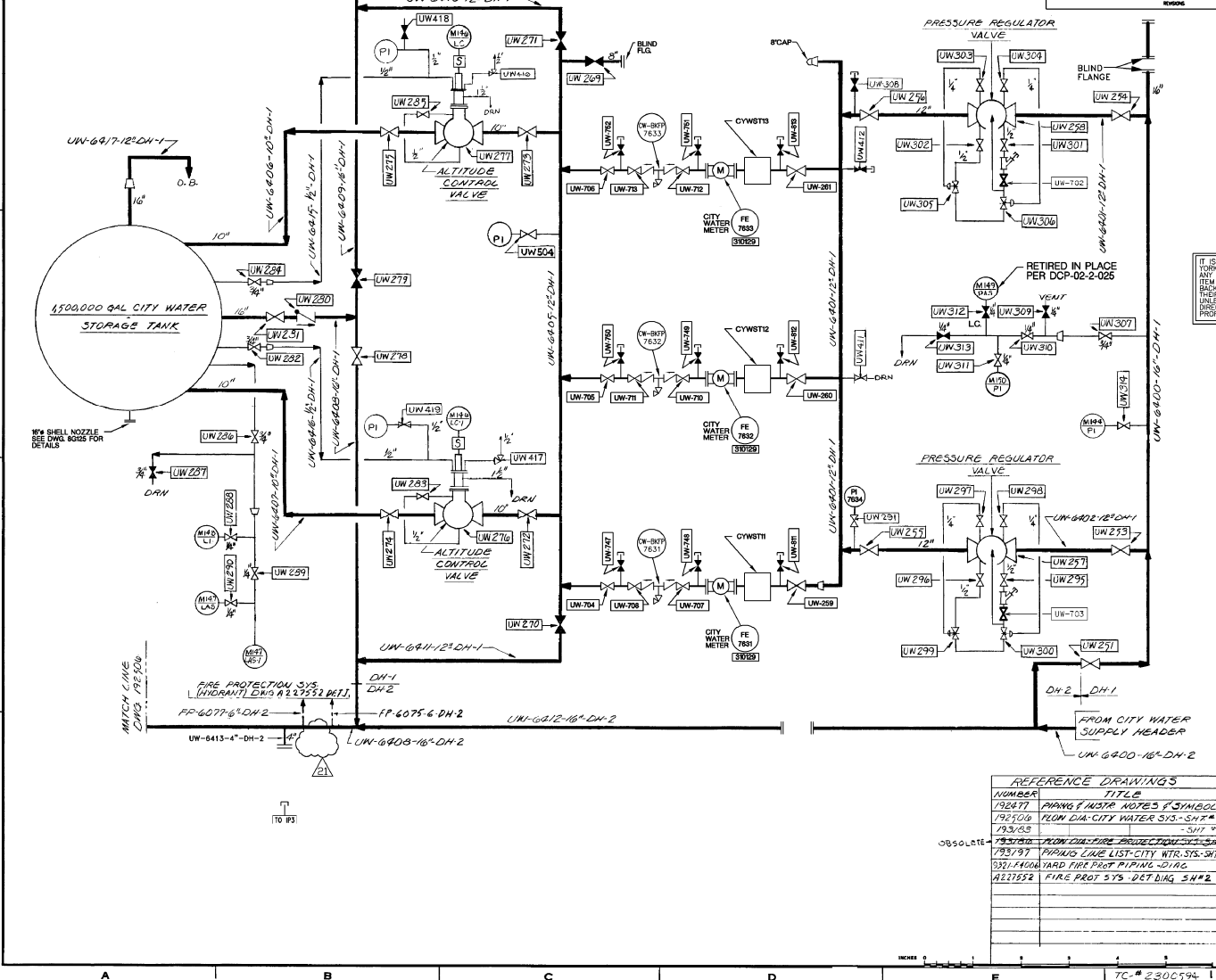
- IN SERVICE INSPECTION NOTES:**
- CLASS "N" CLASS "S" & CLASS "C" REFER TO PIPING. CLASS "N" REFERRED IN SPEC 525-01-248-01. CLASS "S" REFERRED IN SPEC 525-01-248-01. CLASS "C" REFERRED IN SPEC 525-01-248-01.
 - FOR NON-CODE PIPING (NOT FOR CONTAINMENT) & NOT CLASSIFIED QUALITY GROUP "A", "B", OR "C" QUALITY GROUP "C" DESIGNATION SHALL BE APPLIED.
 - THE QUALITY GROUP "A", "B" AND "C" DESIGNATION IS REFERRED TO THE FIRST FLANGE WELDED JOINT BEYOND THE BRANCHES FROM THE MAIN LINE.
 - WELDED JOINTS FROM SHIP DELIVERY SHALL BE UP TO THE FLOOR PENETRATION AT ST. 2000' AND ABOVE.



4209762-72

192505-21
 CITY WATER
 PIPING FLOW DIAGRAM
 UNIT NR 1

PI	DESCRIPTION	DATE	BY	CHKD	APP'D	REVISIONS
1	INCORPORATED EE-23341	8/17/10	JL			17



IT IS A VIOLATION OF NEW YORK EDUCATION LAW FOR ANY PERSON TO ALTER ANY ITEM ASSOCIATED WITH THE BADGELOW PRESENTED AND THEIR VALUES IN ANY WAY UNLESS UNDER THE DIRECTION OF A LICENSED PROFESSIONAL ENGINEER

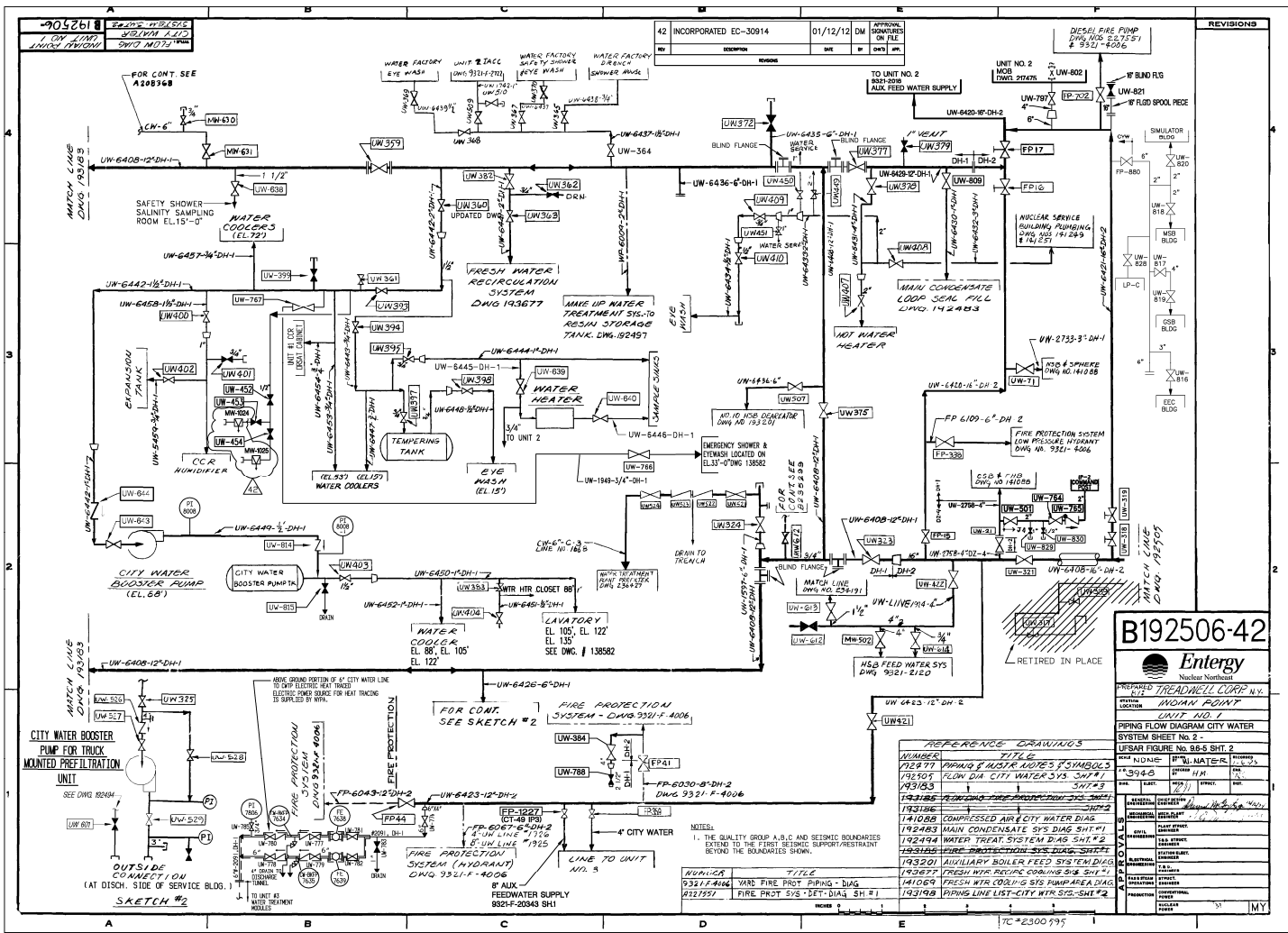
B 192505-21

Entergy
 Nuclear Northeast
 TREADWELL CORP. NY
 INDIAN POINT
 UNIT NR 1
 PIPING FLOW DIAGRAM
 CITY WATER SYSTEM SHEET No. 1
 UFSAR FIGURE No. 9.6-5 (SHT. 1)

NUMBER	TITLE
192477	PIPING & INSTR. NOTES & SYMBOLS
192709	PIPING DIA. CITY WATER SIS. - SHT. #2
193035	PIPING DIA. CITY WATER SIS. - SHT. #3
193787	PIPING DIA. FIRE PROTECTION SYS. SHEET #1
33217406	YARD FIRE PROT. PIPING - DIAG.
4211932	FIRE PROT. SYS. - DET. BLDG. 3H#2

REVISION	DATE	BY	CHKD	APP'D
1	8/17/10	JL		

TC-2300594-1



B192506-42

Entergy
Nuclear Northeast

PREPARED BY: TREADWELL CORP. N.Y.
LOCATION: WINDAN POINT
UNIT NO. 1

PUMPING FLOW DIAGRAM CITY WATER
SYSTEM SHEET No. 2 -
USAR FIGURE No. 98-5 SHT. 2

NO.	DATE	BY	CHKD.	APP'D.	REVISION
1					
2					
3					
4					
5					
6					
7					
8					
9					
10					
11					
12					
13					
14					
15					
16					
17					
18					
19					
20					
21					
22					
23					
24					
25					
26					
27					
28					
29					
30					
31					
32					
33					
34					
35					
36					
37					
38					
39					
40					
41					
42					
43					
44					
45					
46					
47					
48					
49					
50					
51					
52					
53					
54					
55					
56					
57					
58					
59					
60					
61					
62					
63					
64					
65					
66					
67					
68					
69					
70					
71					
72					
73					
74					
75					
76					
77					
78					
79					
80					
81					
82					
83					
84					
85					
86					
87					
88					
89					
90					
91					
92					
93					
94					
95					
96					
97					
98					
99					
100					

REFERENCE DRAWINGS

NUMBER	TITLE
19277	PUMPING INSTR. UNITS & SYMBOLS
19205	FLOW DIA CITY WATER SYS. SHT #1
19383	PIPE LINE LIST - CITY WTR. SYS. SHT #2
193196	COMPRESSED AIR & CITY WATER DIAG.
141088	COMPRESSED AIR & CITY WATER DIAG.
192483	MAIN CONDENSATE SYS. DIAG. SHT #1
192494	WATER TREAT. SYSTEM DIAG. SHT #2
192493	FIRE PROTECTION SYS. DIAG. SHT #1
193201	AUXILIARY BOILER FEED SYSTEM DIAG.
193477	FRESH WTR. RECIRC. CONTROL DWS. SHT #1
141068	FRESH WTR. COOLING SYS. HANDBOOK DIAG.
193198	PIPE LINE LIST - CITY WTR. SYS. SHT #2

NOTES:

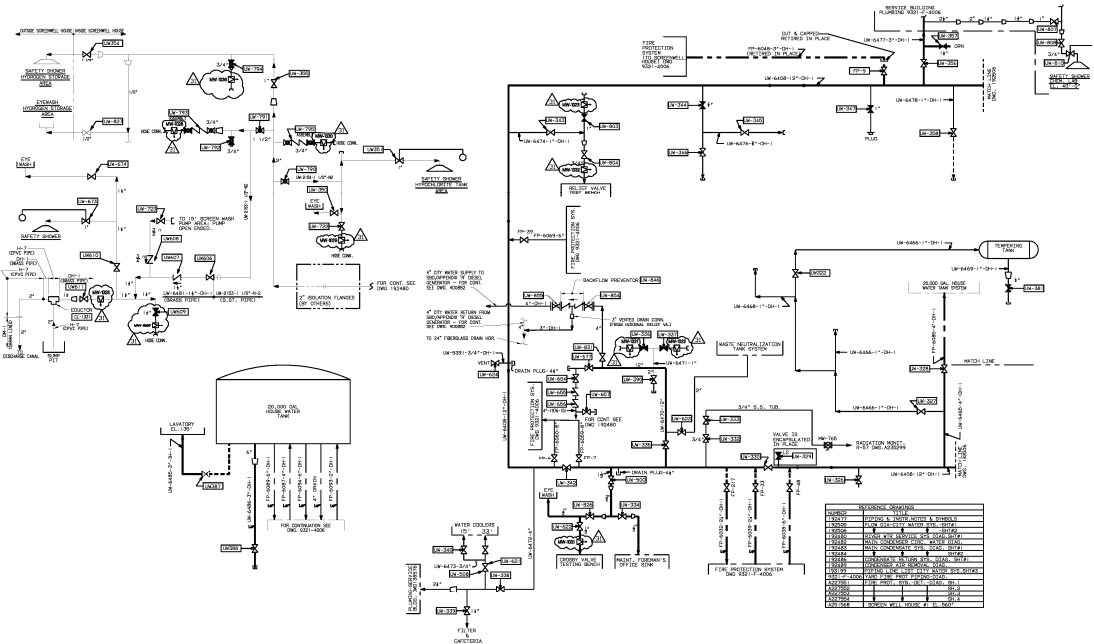
- THE QUALITY GROUP A, B, C AND SEISMIC BOUNDARIES EXTEND TO THE FIRST SEISMIC SUPPORT/RESTRAINT BEYOND THE BOUNDARIED SHOWN.

NUMBERS

NUMBERS	TITLE
93212406	YARD FIRE PROT. PIPING - DIAG.
93212257	FIRE PROT. SYS. - DET. - DIAG. - SH #1

TC=2300 595

31	INCORPORATED EC-2014	01/13/14	MB
DATE	BY	CHKD	APP'D



SYMBOL	DESCRIPTION
UM-6439-1	FAN
UM-6439-2	FAN
UM-6439-3	FAN
UM-6439-4	FAN
UM-6439-5	FAN
UM-6439-6	FAN
UM-6439-7	FAN
UM-6439-8	FAN
V-301	VALVE
V-302	VALVE
V-303	VALVE
V-304	VALVE
V-305	VALVE
V-306	VALVE
V-307	VALVE
V-308	VALVE
V-309	VALVE
V-310	VALVE
P-301	PUMP
P-302	PUMP
P-303	PUMP
P-304	PUMP
FI-301	FLOW INDICATOR
FI-302	FLOW INDICATOR
FI-303	FLOW INDICATOR
FI-304	FLOW INDICATOR

193183-31

MECHANICAL

INDIAN POINT

UNIT No. 1 COOLING WATER SYSTEM

COOLING WATER SYSTEM SHEET No. 3

DESIGN No. 10-3-3-DWG. 31

APPROVALS:

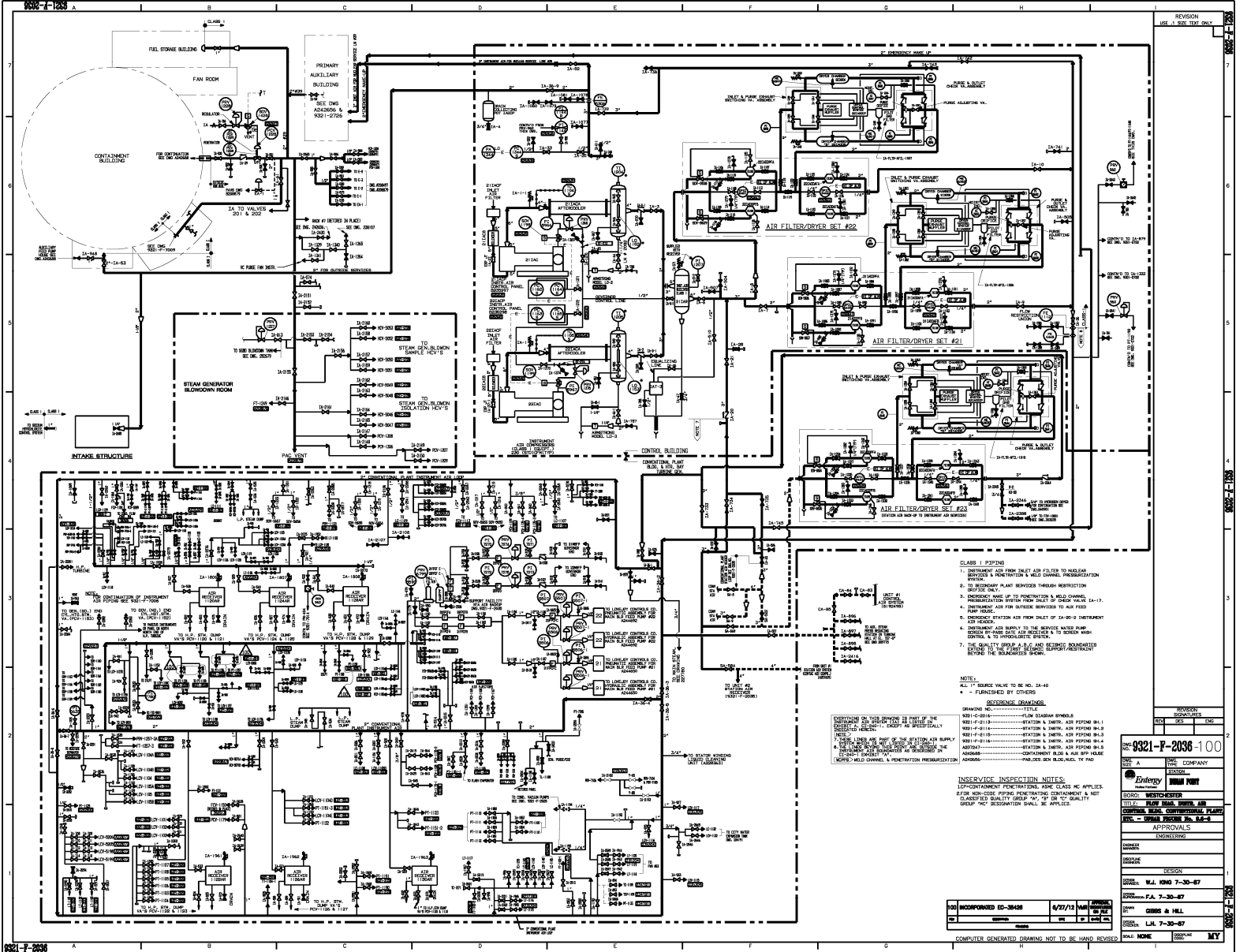
DATE: 01/13/14

BY: MB

CHKD: MB

APP'D: MB

COMPUTER GENERATED DRAWING NOT TO BE HAND REWISED



- CLASS I PIPING
1. INSTRUMENT AIR FROM INLET AIR FILTER TO MULESIN SERVICES & PENETRATION & WELD CHAMBER REPAIR/RESTORATION SERVICE
 2. TO RECOVERY PLANT SERVICES THROUGH RESTRICTION SERVICE
 3. INSTRUMENT AIR TO PENETRATION & WELD CHAMBER REPAIR/RESTORATION SERVICE FROM DILET OF CHECK VALVE 1A-17
 4. INSTRUMENT AIR FOR OUTSIDE SERVICES TO AIR FEED PUMP HOUSE
 5. INSTRUMENT AIR FROM DILET OF 3A-80-0 INSTRUMENT AIR HOUSE
 6. INSTRUMENT AIR SERVICE TO THE SERVICE WATER ROOM SERVICE TO 200-S-001 AIR SERVICE TO 10-BR-001 CONTROL & TO HYDROLOGIC SYSTEM
 7. THE QUALITY GROUP A 3/4" AND 1/2" INSTRUMENT AIR SERVICE TO 10-BR-001 CONTROL & TO HYDROLOGIC SYSTEM

NOTE:
ALL IT SOURCE VALUE TO BE 1A-10
- - FURNISHED BY OTHERS

- REFERENCE DRAWINGS
- DRAWING NO. - TITLE
- 102-F-0115 - FLOW SERVICE SYMBOLS
 - 102-F-0116 - STATION & INSTR. AIR PIPING (S-1)
 - 102-F-0117 - STATION & INSTR. AIR PIPING (S-2)
 - 102-F-0118 - STATION & INSTR. AIR PIPING (S-3)
 - 102-F-0119 - STATION & INSTR. AIR PIPING (S-4)
 - 102-F-0120 - STATION & INSTR. AIR PIPING (S-5)
 - 102-F-0121 - STATION & INSTR. AIR PIPING (S-6)
 - 102-F-0122 - STATION & INSTR. AIR PIPING (S-7)
 - 102-F-0123 - STATION & INSTR. AIR PIPING (S-8)
 - 102-F-0124 - STATION & INSTR. AIR PIPING (S-9)
 - 102-F-0125 - STATION & INSTR. AIR PIPING (S-10)
 - 102-F-0126 - STATION & INSTR. AIR PIPING (S-11)
 - 102-F-0127 - STATION & INSTR. AIR PIPING (S-12)
 - 102-F-0128 - STATION & INSTR. AIR PIPING (S-13)
 - 102-F-0129 - STATION & INSTR. AIR PIPING (S-14)
 - 102-F-0130 - STATION & INSTR. AIR PIPING (S-15)
 - 102-F-0131 - STATION & INSTR. AIR PIPING (S-16)
 - 102-F-0132 - STATION & INSTR. AIR PIPING (S-17)
 - 102-F-0133 - STATION & INSTR. AIR PIPING (S-18)
 - 102-F-0134 - STATION & INSTR. AIR PIPING (S-19)
 - 102-F-0135 - STATION & INSTR. AIR PIPING (S-20)
 - 102-F-0136 - STATION & INSTR. AIR PIPING (S-21)
 - 102-F-0137 - STATION & INSTR. AIR PIPING (S-22)
 - 102-F-0138 - STATION & INSTR. AIR PIPING (S-23)
 - 102-F-0139 - STATION & INSTR. AIR PIPING (S-24)
 - 102-F-0140 - STATION & INSTR. AIR PIPING (S-25)
 - 102-F-0141 - STATION & INSTR. AIR PIPING (S-26)
 - 102-F-0142 - STATION & INSTR. AIR PIPING (S-27)
 - 102-F-0143 - STATION & INSTR. AIR PIPING (S-28)
 - 102-F-0144 - STATION & INSTR. AIR PIPING (S-29)
 - 102-F-0145 - STATION & INSTR. AIR PIPING (S-30)
 - 102-F-0146 - STATION & INSTR. AIR PIPING (S-31)
 - 102-F-0147 - STATION & INSTR. AIR PIPING (S-32)
 - 102-F-0148 - STATION & INSTR. AIR PIPING (S-33)
 - 102-F-0149 - STATION & INSTR. AIR PIPING (S-34)
 - 102-F-0150 - STATION & INSTR. AIR PIPING (S-35)
 - 102-F-0151 - STATION & INSTR. AIR PIPING (S-36)
 - 102-F-0152 - STATION & INSTR. AIR PIPING (S-37)
 - 102-F-0153 - STATION & INSTR. AIR PIPING (S-38)
 - 102-F-0154 - STATION & INSTR. AIR PIPING (S-39)
 - 102-F-0155 - STATION & INSTR. AIR PIPING (S-40)
 - 102-F-0156 - STATION & INSTR. AIR PIPING (S-41)
 - 102-F-0157 - STATION & INSTR. AIR PIPING (S-42)
 - 102-F-0158 - STATION & INSTR. AIR PIPING (S-43)
 - 102-F-0159 - STATION & INSTR. AIR PIPING (S-44)
 - 102-F-0160 - STATION & INSTR. AIR PIPING (S-45)
 - 102-F-0161 - STATION & INSTR. AIR PIPING (S-46)
 - 102-F-0162 - STATION & INSTR. AIR PIPING (S-47)
 - 102-F-0163 - STATION & INSTR. AIR PIPING (S-48)
 - 102-F-0164 - STATION & INSTR. AIR PIPING (S-49)
 - 102-F-0165 - STATION & INSTR. AIR PIPING (S-50)
 - 102-F-0166 - STATION & INSTR. AIR PIPING (S-51)
 - 102-F-0167 - STATION & INSTR. AIR PIPING (S-52)
 - 102-F-0168 - STATION & INSTR. AIR PIPING (S-53)
 - 102-F-0169 - STATION & INSTR. AIR PIPING (S-54)
 - 102-F-0170 - STATION & INSTR. AIR PIPING (S-55)
 - 102-F-0171 - STATION & INSTR. AIR PIPING (S-56)
 - 102-F-0172 - STATION & INSTR. AIR PIPING (S-57)
 - 102-F-0173 - STATION & INSTR. AIR PIPING (S-58)
 - 102-F-0174 - STATION & INSTR. AIR PIPING (S-59)
 - 102-F-0175 - STATION & INSTR. AIR PIPING (S-60)
 - 102-F-0176 - STATION & INSTR. AIR PIPING (S-61)
 - 102-F-0177 - STATION & INSTR. AIR PIPING (S-62)
 - 102-F-0178 - STATION & INSTR. AIR PIPING (S-63)
 - 102-F-0179 - STATION & INSTR. AIR PIPING (S-64)
 - 102-F-0180 - STATION & INSTR. AIR PIPING (S-65)
 - 102-F-0181 - STATION & INSTR. AIR PIPING (S-66)
 - 102-F-0182 - STATION & INSTR. AIR PIPING (S-67)
 - 102-F-0183 - STATION & INSTR. AIR PIPING (S-68)
 - 102-F-0184 - STATION & INSTR. AIR PIPING (S-69)
 - 102-F-0185 - STATION & INSTR. AIR PIPING (S-70)
 - 102-F-0186 - STATION & INSTR. AIR PIPING (S-71)
 - 102-F-0187 - STATION & INSTR. AIR PIPING (S-72)
 - 102-F-0188 - STATION & INSTR. AIR PIPING (S-73)
 - 102-F-0189 - STATION & INSTR. AIR PIPING (S-74)
 - 102-F-0190 - STATION & INSTR. AIR PIPING (S-75)
 - 102-F-0191 - STATION & INSTR. AIR PIPING (S-76)
 - 102-F-0192 - STATION & INSTR. AIR PIPING (S-77)
 - 102-F-0193 - STATION & INSTR. AIR PIPING (S-78)
 - 102-F-0194 - STATION & INSTR. AIR PIPING (S-79)
 - 102-F-0195 - STATION & INSTR. AIR PIPING (S-80)
 - 102-F-0196 - STATION & INSTR. AIR PIPING (S-81)
 - 102-F-0197 - STATION & INSTR. AIR PIPING (S-82)
 - 102-F-0198 - STATION & INSTR. AIR PIPING (S-83)
 - 102-F-0199 - STATION & INSTR. AIR PIPING (S-84)
 - 102-F-0200 - STATION & INSTR. AIR PIPING (S-85)
 - 102-F-0201 - STATION & INSTR. AIR PIPING (S-86)
 - 102-F-0202 - STATION & INSTR. AIR PIPING (S-87)
 - 102-F-0203 - STATION & INSTR. AIR PIPING (S-88)
 - 102-F-0204 - STATION & INSTR. AIR PIPING (S-89)
 - 102-F-0205 - STATION & INSTR. AIR PIPING (S-90)
 - 102-F-0206 - STATION & INSTR. AIR PIPING (S-91)
 - 102-F-0207 - STATION & INSTR. AIR PIPING (S-92)
 - 102-F-0208 - STATION & INSTR. AIR PIPING (S-93)
 - 102-F-0209 - STATION & INSTR. AIR PIPING (S-94)
 - 102-F-0210 - STATION & INSTR. AIR PIPING (S-95)
 - 102-F-0211 - STATION & INSTR. AIR PIPING (S-96)
 - 102-F-0212 - STATION & INSTR. AIR PIPING (S-97)
 - 102-F-0213 - STATION & INSTR. AIR PIPING (S-98)
 - 102-F-0214 - STATION & INSTR. AIR PIPING (S-99)
 - 102-F-0215 - STATION & INSTR. AIR PIPING (S-100)

INSERVICE INSPECTION NOTES
100-CONTAINMENT PENETRATIONS, ASME CLASS MC APPLIES.
FOR NON-CLASS MC PENETRATIONS, ASME CLASS MC APPLIES.
CLASSIFIED QUALITY GROUP "D", "E" OR "F" QUALITY GROUP "M" DESIGNATION SHALL BE APPLIED.

INCORPORATED 02-2628 4/27/72
COMPUTER GENERATED DRAWING NOT TO BE HAND REVISOR

REVISION
SEE A REV. TOP ONLY

NO.	DATE	BY	CHK	APP.	DESCRIPTION
1					

0321-P-2036-100

DATE: 4/27/72
TIME: 10:00 AM
PAGE: 1 OF 1

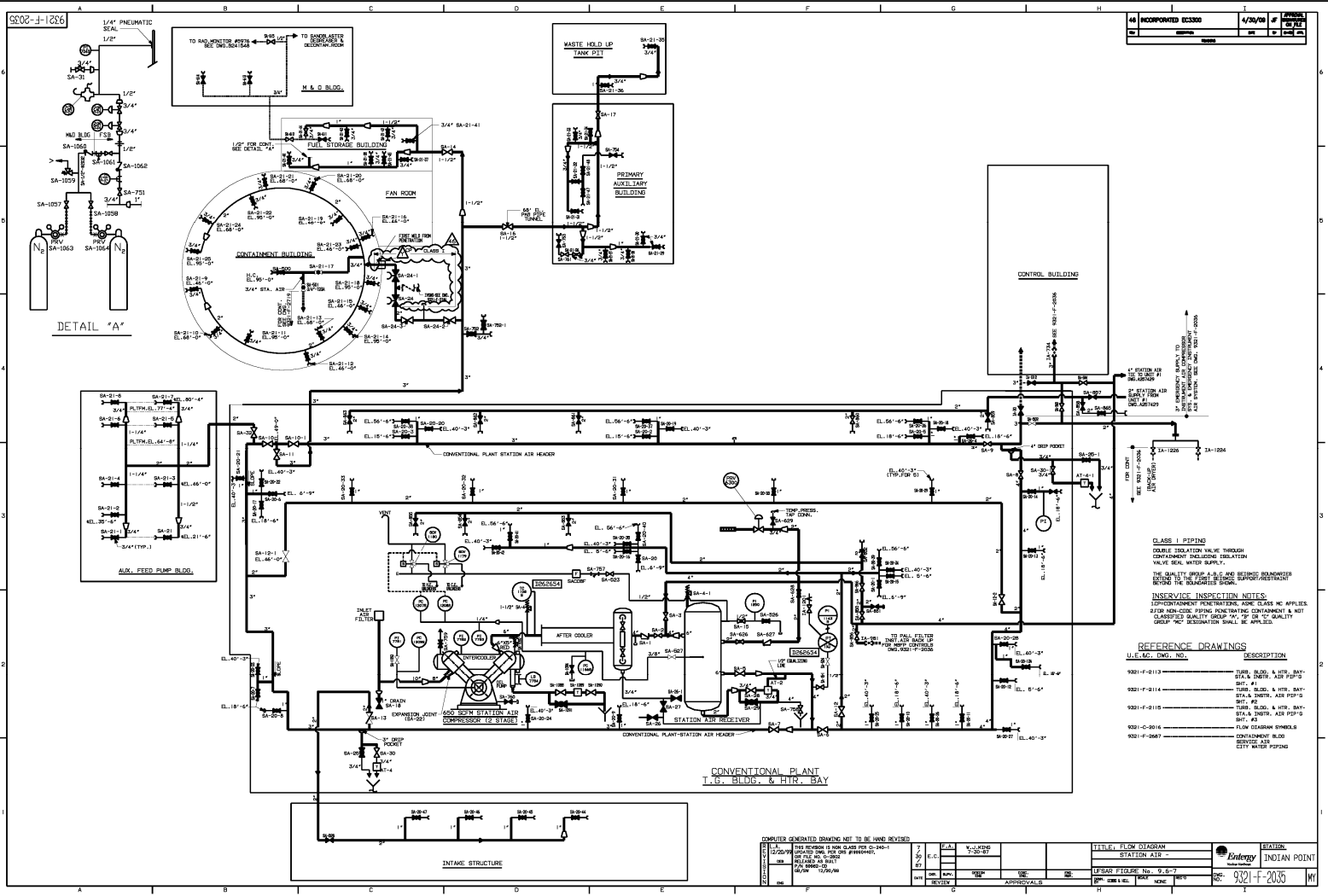
COMPANY: Entergy
PROJECT: NEW BRIDGE WATER AIR
CONTAINMENT BUILDING CONTINGENTIAL PLANT
TITLE: STEAM GENERATOR BLOWDOWN ROOM AIR PIPING

APPROVALS

NO.	DATE	BY	CHK	APP.	DESCRIPTION
1					

DESIGN: W.J. KING 7-30-87
CHECKED: C. HILL 7-30-87
APP. 7-30-87
APP. 7-30-87

APP. 7-30-87



46	INCORPORATED EC3300	4/23/08	BY	DATE

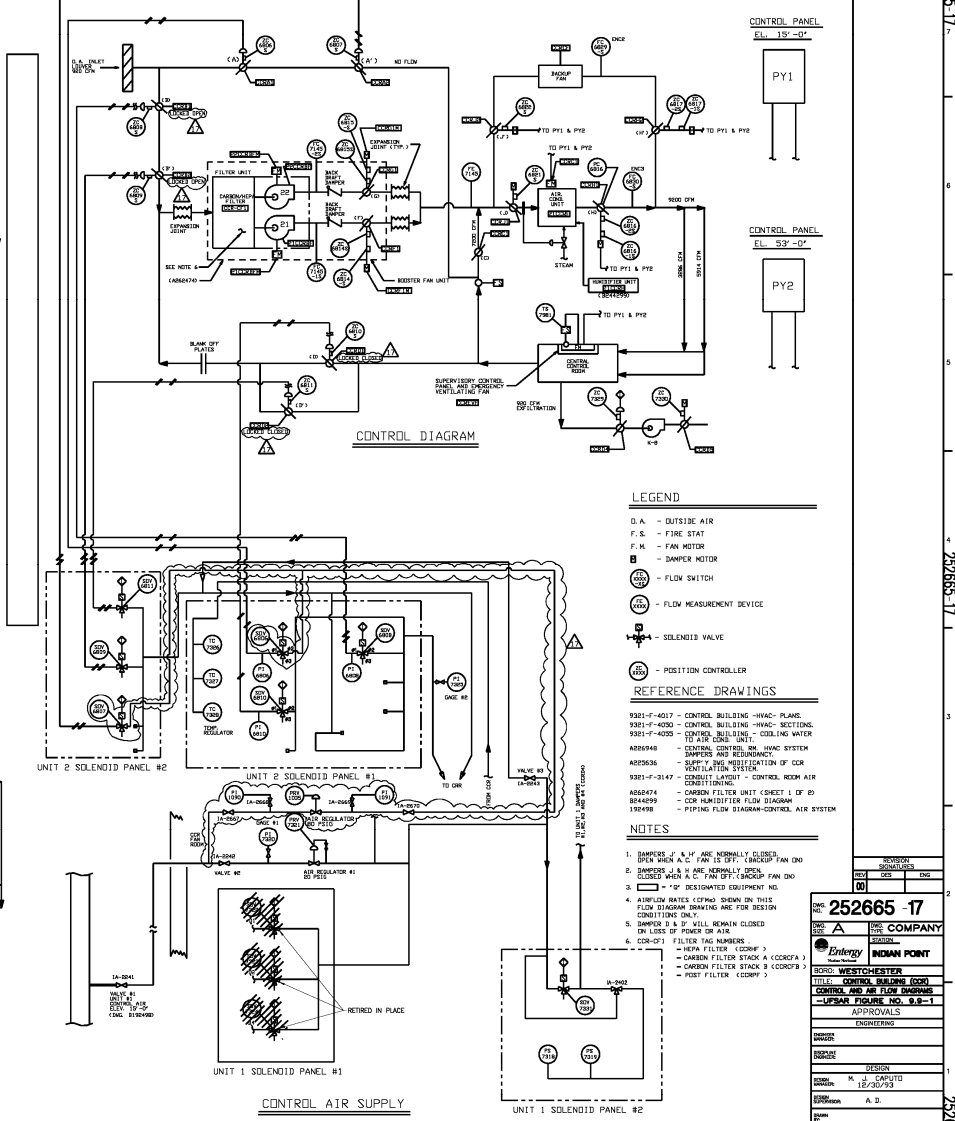
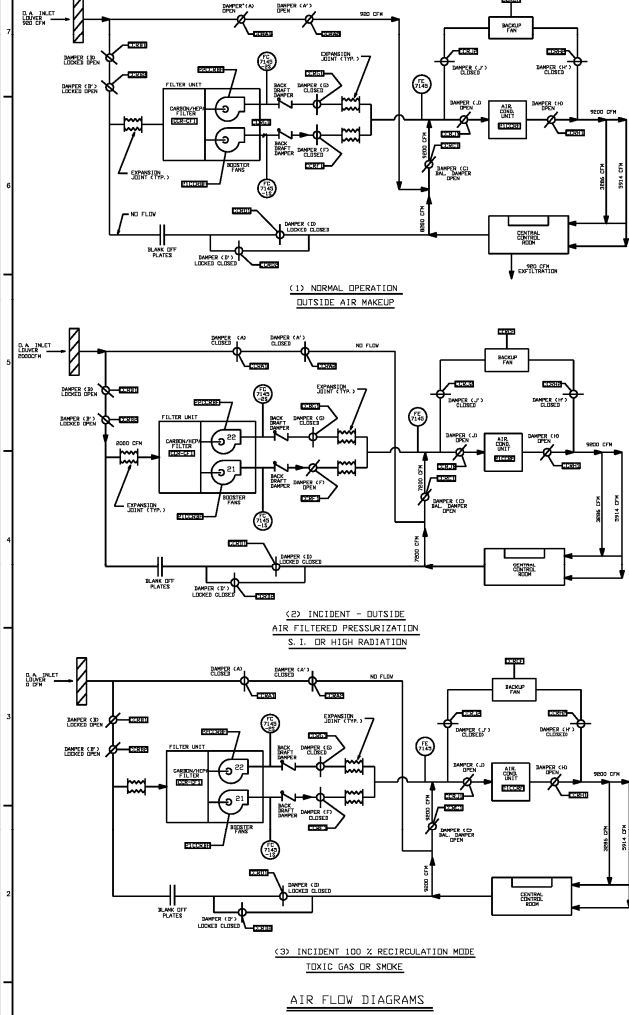
CLASS I PIPING
 DOUBLE ISOLATION VALVE THROUGH CONTAINMENT BUILDING ISOLATION VALVE SEAL WATER SUPPLY.

THE QUALITY GROUP A, B, C AND BEHIND COMPRESSOR SECTION IS TO BE QUALITY GROUP SUPPORT/RESTRAINT

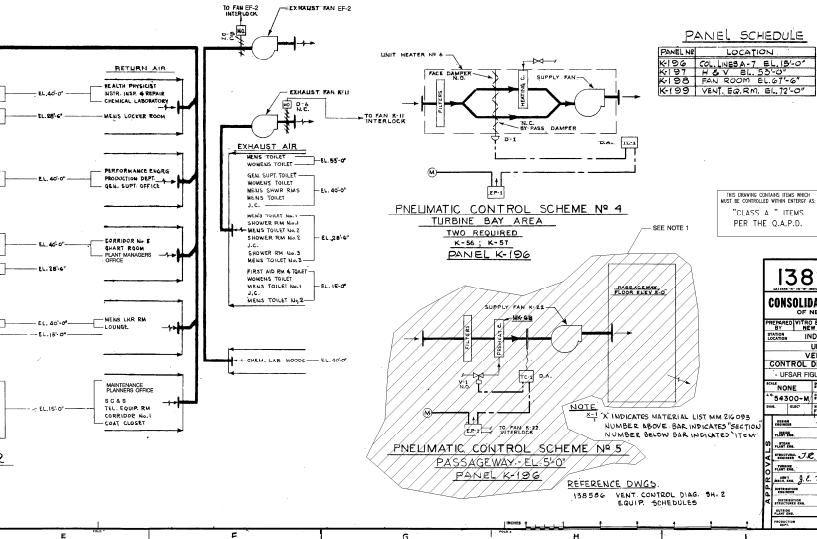
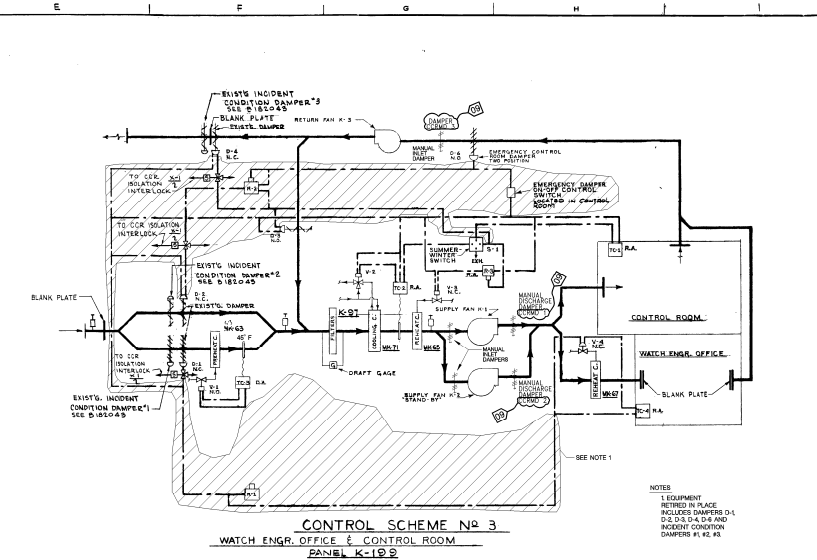
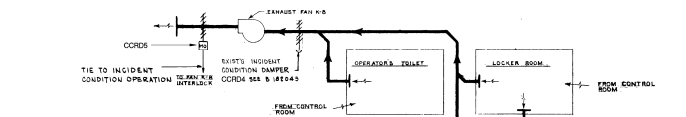
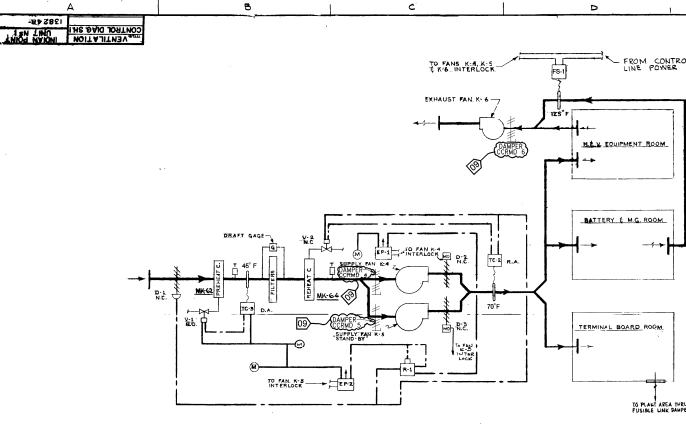
INSERVICE INSPECTION NOTES:
 ISIP-DENTUREN PENETRATIONS ASSE CLASS NC APPLIES 21/2" MIN. GAGE THICK. EXISTING CONTAINMENT IS NOT CLASSIFIED QUALITY GROUP "A" OR "B" QUALITY GROUP "NC" DESIGNATION SHALL BE APPLIED.

U.E. NO.	DWG. NO.	DESCRIPTION
9321-F-0113		TURB. BLDG. & HTR. BAY STA. & INSTR. AIR PIP'G SHIT. #1
9321-F-0114		TURB. BLDG. & HTR. BAY STA. & INSTR. AIR PIP'G SHIT. #2
9321-F-0115		TURB. BLDG. & HTR. BAY STA. & INSTR. AIR PIP'G SHIT. #3
9321-C-2016		FLOW COORDINATE SYMBOLS
9321-F-2067		CONTAINMENT BLDG SERVICE AIR

COMPUTER GENERATED DRAWING NOT TO BE HAND REVISED				DATE		BY		CHECKED		APPROVED		TITLE: FLOW DIAGRAM STATION AIR URSAN FLOW No. 9.6-7 DATE: 4/23/08		SHEET: 46 TOTAL SHEETS: 47 PROJECT: INDIAN POINT		
1	2	3	4	5	6	7	8	9	10	11	12	13	14	15	16	17



- LEGEND**
- D.A. - OUTSIDE AIR
 - F.S. - FIRE STAT
 - F.M. - FAN MOTOR
 - M - DAMPER MOTOR
 - FS - FLOW SWITCH
 - FMS - FLOW MEASUREMENT DEVICE
 - SV - SOLENOID VALVE
 - PC - POSITION CONTROLLER
- REFERENCE DRAWINGS**
- 9301-F-4017 - CONTROL BUILDING -HVAC- PLANS
 - 9301-F-4030 - CONTROL BUILDING -HVAC- SECTIONS
 - 9301-F-4035 - CONTROL BUILDING - COOLING WATER TO AIR COND. UNIT
 - 9301-F-4036 - CONTROL BUILDING -HVAC SYSTEM DAMPER AND REQUIREMENT
 - 9301-F-3147 - CONTROL LAYOUT - CONTROL ROOM AIR CONDITIONING
 - 8846474 - CARBON FILTER UNIT (SHEET 1 OF 2)
 - 8846499 - CCR HANDOFF FLOW DIAGRAM
 - 194498 - PIPING FLOW DIAGRAM-CONTROL AIR SYSTEM
- NOTES**
1. DAMPERS J & K ARE NORMALLY CLOSED.
 2. DAMPERS J & K ARE NORMALLY OPEN.
 3. CLOSED WHEN A.C. FAN IS OFF. UNDOOR FAN ON.
 4. AIRFLOW RATES (CFM) SHOWN IN THIS FLOW DIAGRAM BREAKING ARE FOR DESIGN CONDITION ONLY.
 5. DAMPERS 2 & 3 WILL REMAIN CLOSED OR LOSS OF POWER OR AIR.
 6. CCR-017 FILTER TAG NUMBERS:
 - HEPA FILTER (CCRF)
 - CARBON FILTER STACK A (CCRF3)
 - CARBON FILTER STACK B (CCRF3)
 - POST FILTER (CCRF)



REVISIONS

NO.	DATE	DESCRIPTION
1
2
3
4
5
6
7
8
9
10
11
12
13
14
15
16
17
18
19
20
21
22
23
24
25
26
27
28
29
30
31
32
33
34
35
36
37
38
39
40
41
42
43
44
45
46
47
48
49
50
51
52
53
54
55
56
57
58
59
60
61
62
63
64
65
66
67
68
69
70
71
72
73
74
75
76
77
78
79
80
81
82
83
84
85
86
87
88
89
90
91
92
93
94
95
96
97
98
99
100

PANEL SCHEDULE

PANEL NO.	LOCATION
K-1	CO. LUBS-A-7 EL. 15'-0"
K-2	EL. 15'-0"
K-3	EL. 15'-0"
K-4	EL. 15'-0"
K-5	EL. 15'-0"
K-6	EL. 15'-0"
K-7	EL. 15'-0"
K-8	EL. 15'-0"
K-9	EL. 15'-0"
K-10	VENT. EQ. RM. EL. 72'-0"
K-11	EL. 15'-0"
K-12	EL. 15'-0"

138248-9
CONSOLIDATED EDISON CO.
 OF NEW YORK, INC.
 PROJECTED BY ENGINEERS PERKINS
 310 BROADWAY
 NEW YORK 10013
 INDIAN POINT
 UNIT No. 1
 VENTILATION
 CONTROL DIAGRAMS SHEET 1
 USUAL PAPER NO. 331
 REF. TO 8-A
 100-1000-1
 100-1000-2
 100-1000-3
 100-1000-4
 100-1000-5
 100-1000-6
 100-1000-7
 100-1000-8
 100-1000-9
 100-1000-10
 100-1000-11
 100-1000-12
 100-1000-13
 100-1000-14
 100-1000-15
 100-1000-16
 100-1000-17
 100-1000-18
 100-1000-19
 100-1000-20
 100-1000-21
 100-1000-22
 100-1000-23
 100-1000-24
 100-1000-25
 100-1000-26
 100-1000-27
 100-1000-28
 100-1000-29
 100-1000-30
 100-1000-31
 100-1000-32
 100-1000-33
 100-1000-34
 100-1000-35
 100-1000-36
 100-1000-37
 100-1000-38
 100-1000-39
 100-1000-40
 100-1000-41
 100-1000-42
 100-1000-43
 100-1000-44
 100-1000-45
 100-1000-46
 100-1000-47
 100-1000-48
 100-1000-49
 100-1000-50
 100-1000-51
 100-1000-52
 100-1000-53
 100-1000-54
 100-1000-55
 100-1000-56
 100-1000-57
 100-1000-58
 100-1000-59
 100-1000-60
 100-1000-61
 100-1000-62
 100-1000-63
 100-1000-64
 100-1000-65
 100-1000-66
 100-1000-67
 100-1000-68
 100-1000-69
 100-1000-70
 100-1000-71
 100-1000-72
 100-1000-73
 100-1000-74
 100-1000-75
 100-1000-76
 100-1000-77
 100-1000-78
 100-1000-79
 100-1000-80
 100-1000-81
 100-1000-82
 100-1000-83
 100-1000-84
 100-1000-85
 100-1000-86
 100-1000-87
 100-1000-88
 100-1000-89
 100-1000-90
 100-1000-91
 100-1000-92
 100-1000-93
 100-1000-94
 100-1000-95
 100-1000-96
 100-1000-97
 100-1000-98
 100-1000-99
 100-1000-100