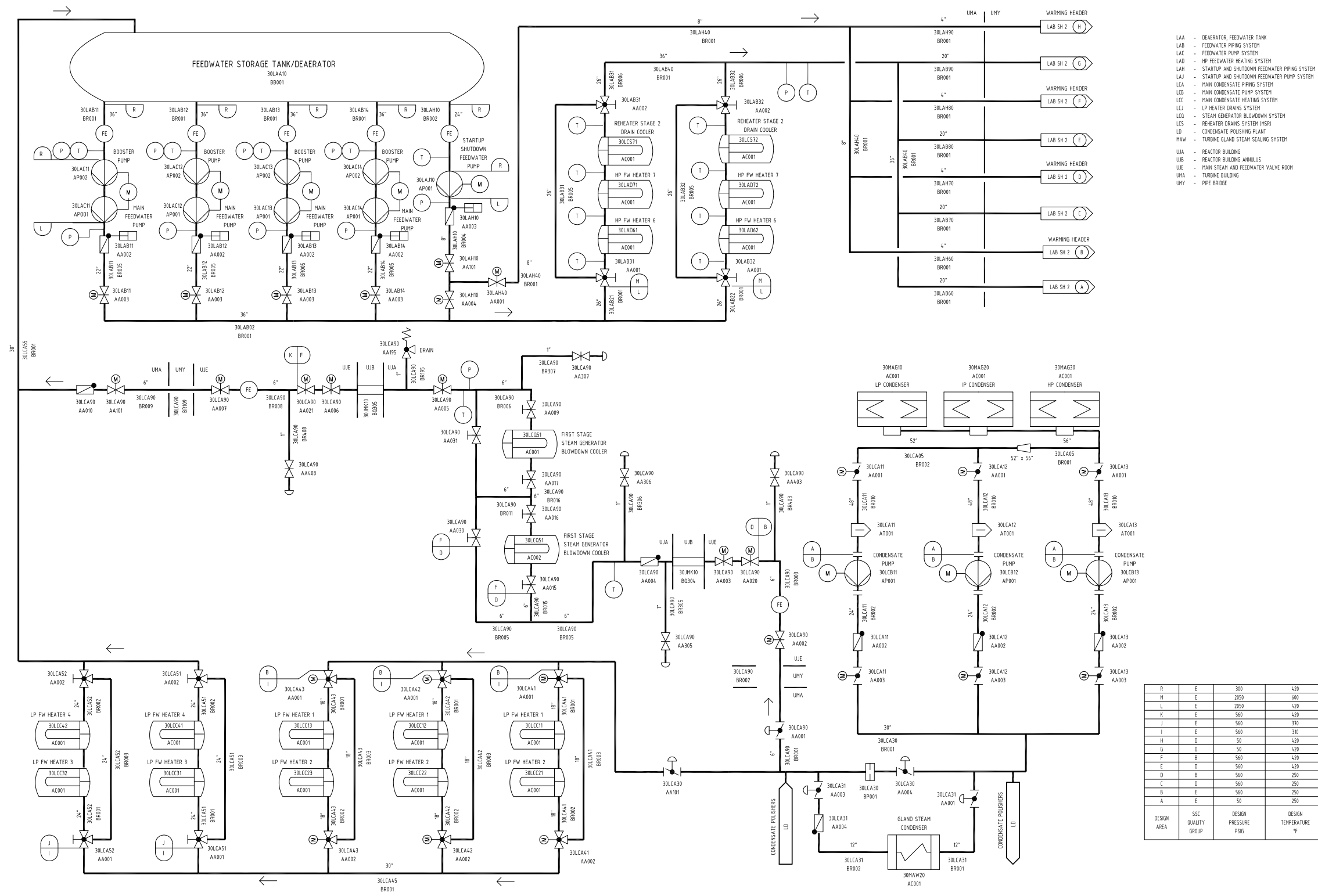


Figure 10.4.7-1—Condensate and Feedwater System  
Sheet 1 of 2



- LAA - DEAERATOR FEEDWATER TANK
- LAB - FEEDWATER PUMP SYSTEM
- LAC - FEEDWATER PUMP SYSTEM
- LAD - HP FEEDWATER HEATING SYSTEM
- LAH - STARTUP AND SHUTDOWN FEEDWATER PUMP SYSTEM
- LAJ - STARTUP AND SHUTDOWN FEEDWATER PUMP SYSTEM
- LCA - MAIN CONDENSATE PIPING SYSTEM
- LCB - MAIN CONDENSATE PUMP SYSTEM
- LCC - MAIN CONDENSATE HEATING SYSTEM
- LCJ - LP HEATER DRAINS SYSTEM
- LCQ - STEAM GENERATOR BLOWDOWN SYSTEM
- LCS - REHEATER DRAINS SYSTEM (HSR)
- LD - CONDENSATE POLISHING PLANT
- MAW - TURBINE GLAND STEAM SEALING SYSTEM
- UAJ - REACTOR BUILDING
- UJB - REACTOR BUILDING ANNULUS
- UJE - MAIN STEAM AND FEEDWATER VALVE ROOM
- UMA - TURBINE BUILDING
- UMY - PIPE BRIDGE

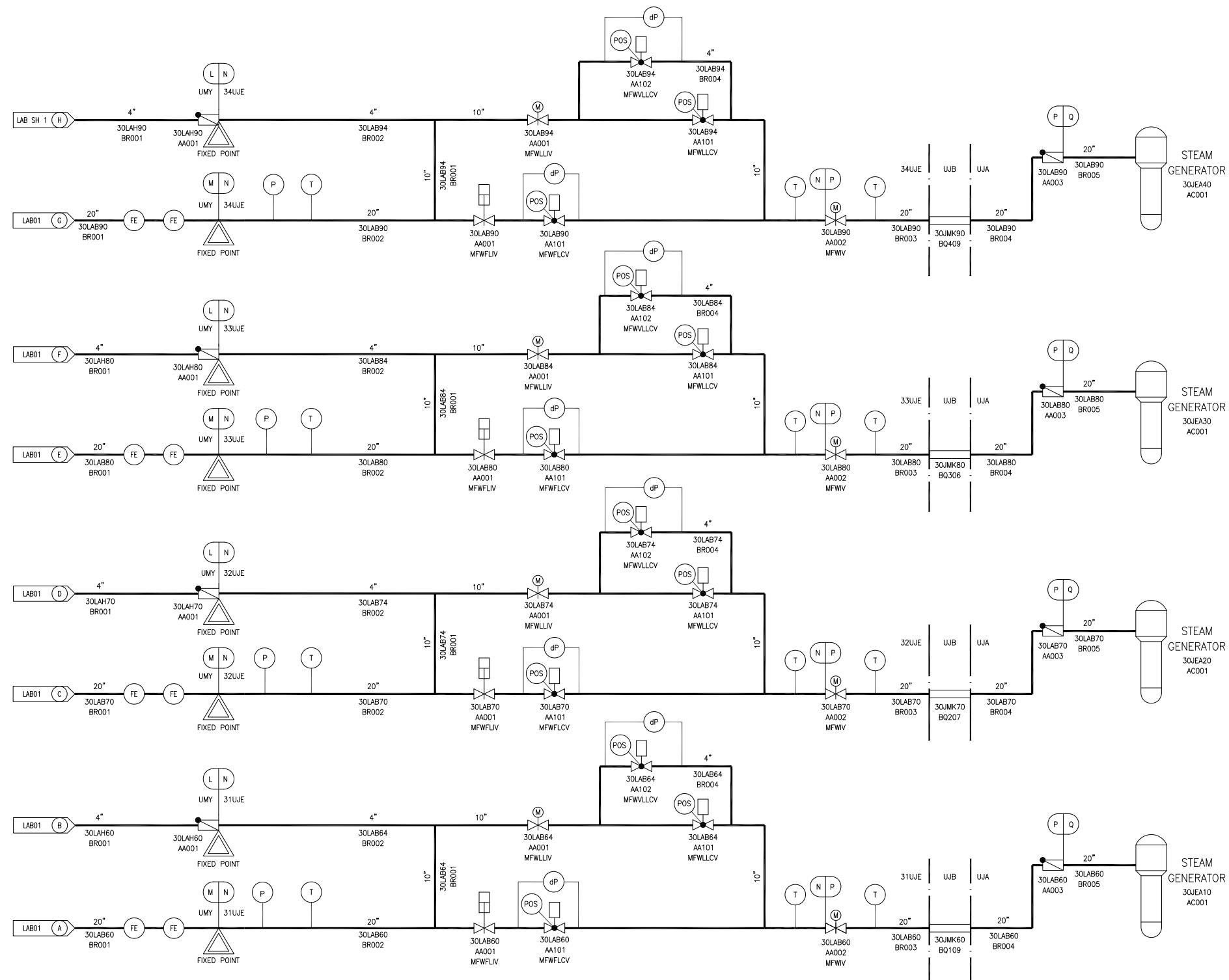
R	E	300	420	NSC
H	E	2950	600	NSC
L	E	2950	420	NSC
K	E	560	420	NSC
J	E	560	370	NSC
I	E	560	370	NSC
H	D	50	420	II
G	D	50	420	I
F	B	560	420	II
E	D	560	420	II
D	B	560	250	I
C	D	560	250	II
B	E	560	250	NSC
A	E	50	250	NSC

DESIGN AREA	SSC QUALITY GROUP	DESIGN PRESSURE PSIG	DESIGN TEMPERATURE °F	SSC SEISMIC CLASS

REV 007  
LAB0112

Figure 10.4.7-2—Feedwater Full Load Isolation Valve Hydraulic Actuators  
Sheet 2 of 2



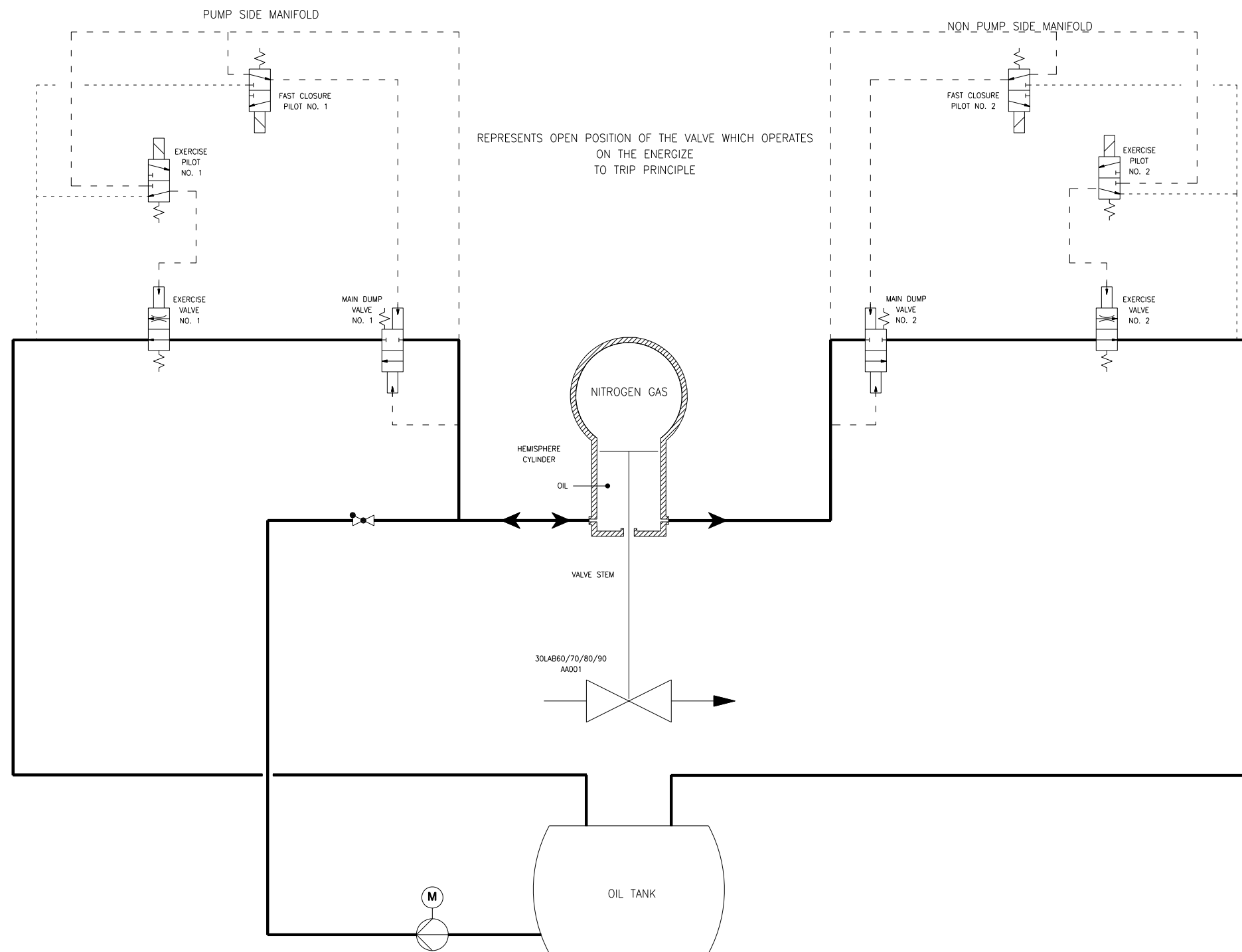
JEA - STEAM GENERATOR  
 LAB - FEEDWATER PIPING SYSTEM  
 LAH - STARTUP AND SHUTDOWN FEEDWATER PIPING SYSTEM  
 UJA - REACTOR BUILDING  
 UJB - REACTOR BUILDING ANNULUS  
 31UJE - MAIN STEAM AND FEEDWATER VALVE ROOM, DIVISION 1  
 32UJE - MAIN STEAM AND FEEDWATER VALVE ROOM, DIVISION 2  
 33UJE - MAIN STEAM AND FEEDWATER VALVE ROOM, DIVISION 3  
 34UJE - MAIN STEAM AND FEEDWATER VALVE ROOM, DIVISION 4  
 UMY - PIPE BRIDGE

MFWFLCV - MAIN FEEDWATER FULL LOAD CONTROL VALVE  
 MFWFLV - MAIN FEEDWATER FULL LOAD ISOLATION VALVE  
 MFWLLCV - MAIN FEEDWATER LOW LOAD CONTROL VALVE  
 MFWLLV - MAIN FEEDWATER LOW LOAD ISOLATION VALVE  
 MFWV - MAIN FEEDWATER VERY LOW LOAD CONTROL VALVE  
 MFV - MAIN FEEDWATER ISOLATION VALVE

Q	B	1435	600	I
P	B	2050	600	I
N	C	2050	600	I
M	E	2050	600	NSC
L	E	2050	420	NSC
DESIGN AREA	SSC QUALITY GROUP	DESIGN PRESSURE PSIG	DESIGN TEMPERATURE °F	SSC SEISMIC CLASS

REV 003  
LAB02T2

Figure 10.4.7-2—Feedwater Full Load Isolation Valve Hydraulic Actuators



LAB001 T2