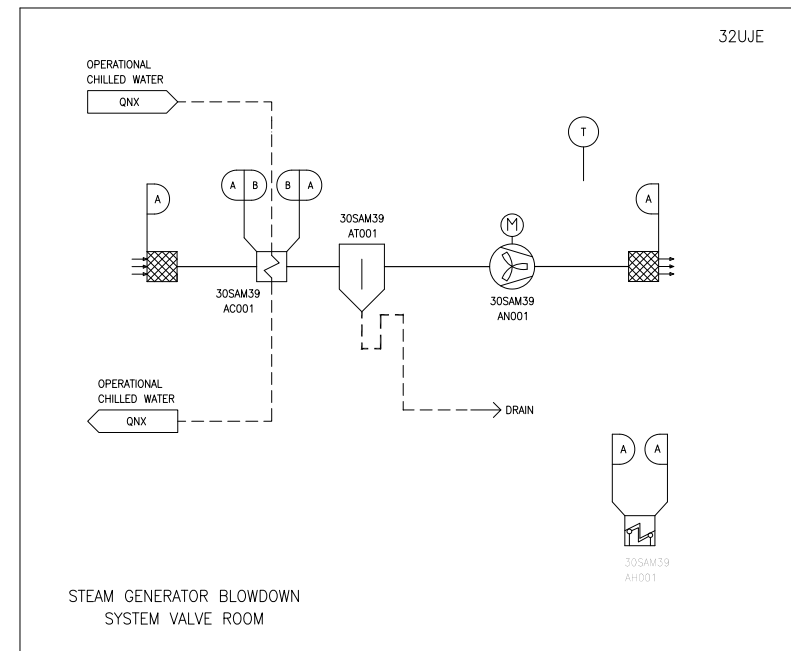
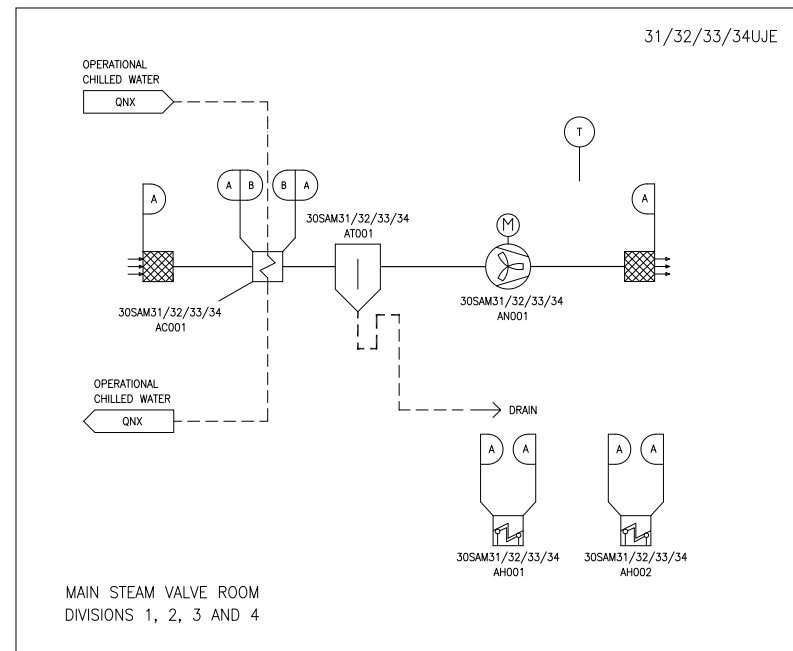
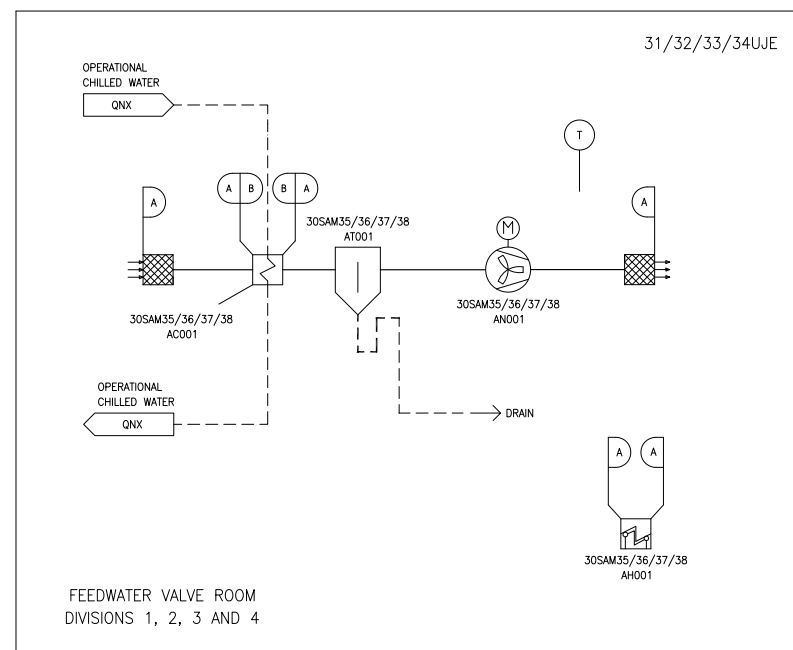


Figure 9.4.12-1—Main Steam and Feedwater Valve Room Ventilation System



KTE – NUCLEAR ISLAND DRAIN AND VENT SYSTEMS – FLOOR DRAINS 3  
 QNX – OPERATIONAL CHILLED WATER SYSTEM  
 SAM3 – MAIN STEAM AND MAIN FEEDWATER VALVE ROOM VENTILATION SYSTEM  
 31UJE – MAIN STEAM VALVE ROOM, DIVISION 1  
 32UJE – MAIN STEAM VALVE ROOM, DIVISION 2  
 33UJE – MAIN STEAM VALVE ROOM, DIVISION 3  
 34UJE – MAIN STEAM VALVE ROOM, DIVISION 4



B	E	NSC
A	N/A	NSC
DESIGN AREA	SSC QUALITY GROUP	SSC SEISMIC CLASS

REV 005  
 SAM301T2