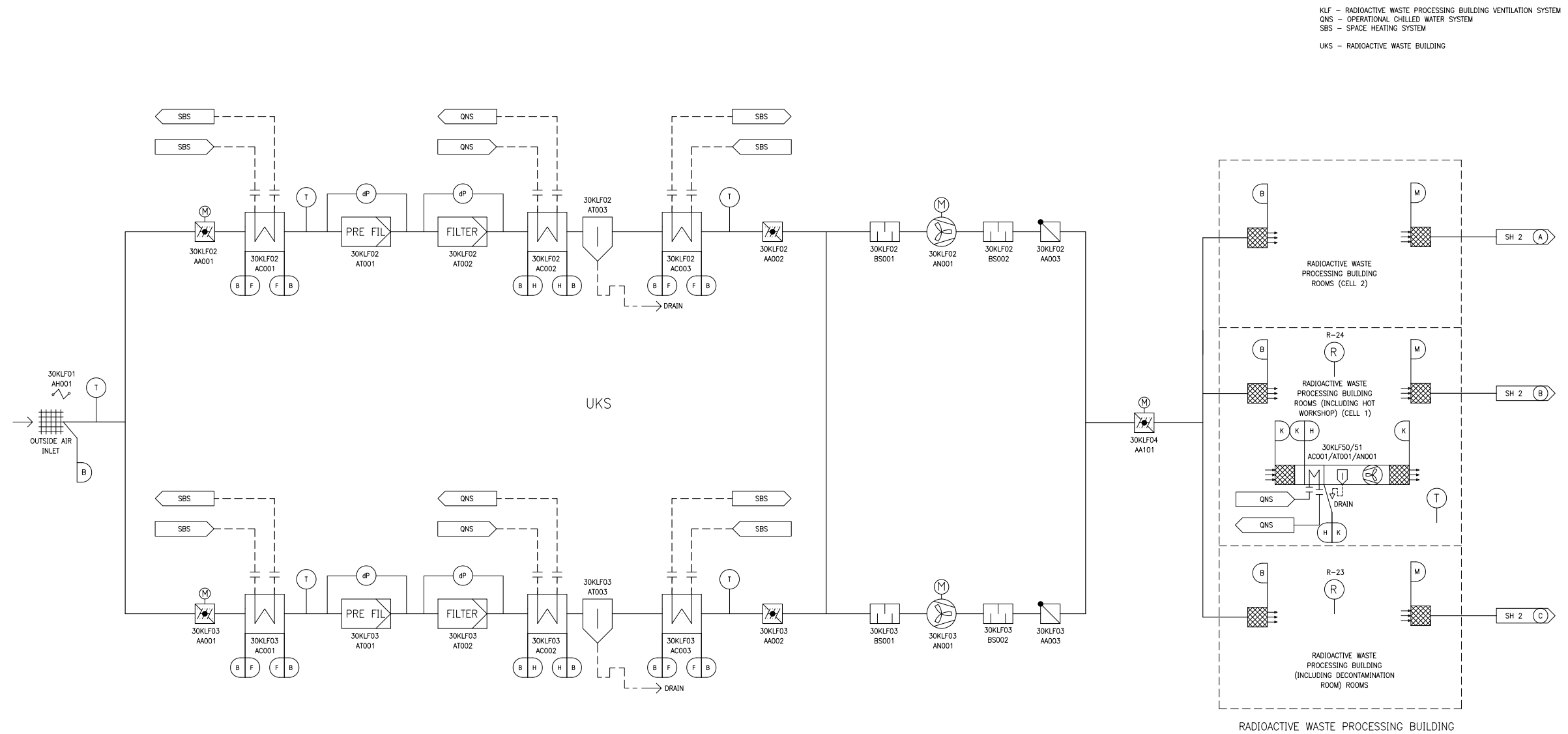


Figure 9.4.8-1—Radioactive Waste Building Ventilation System Air Supply

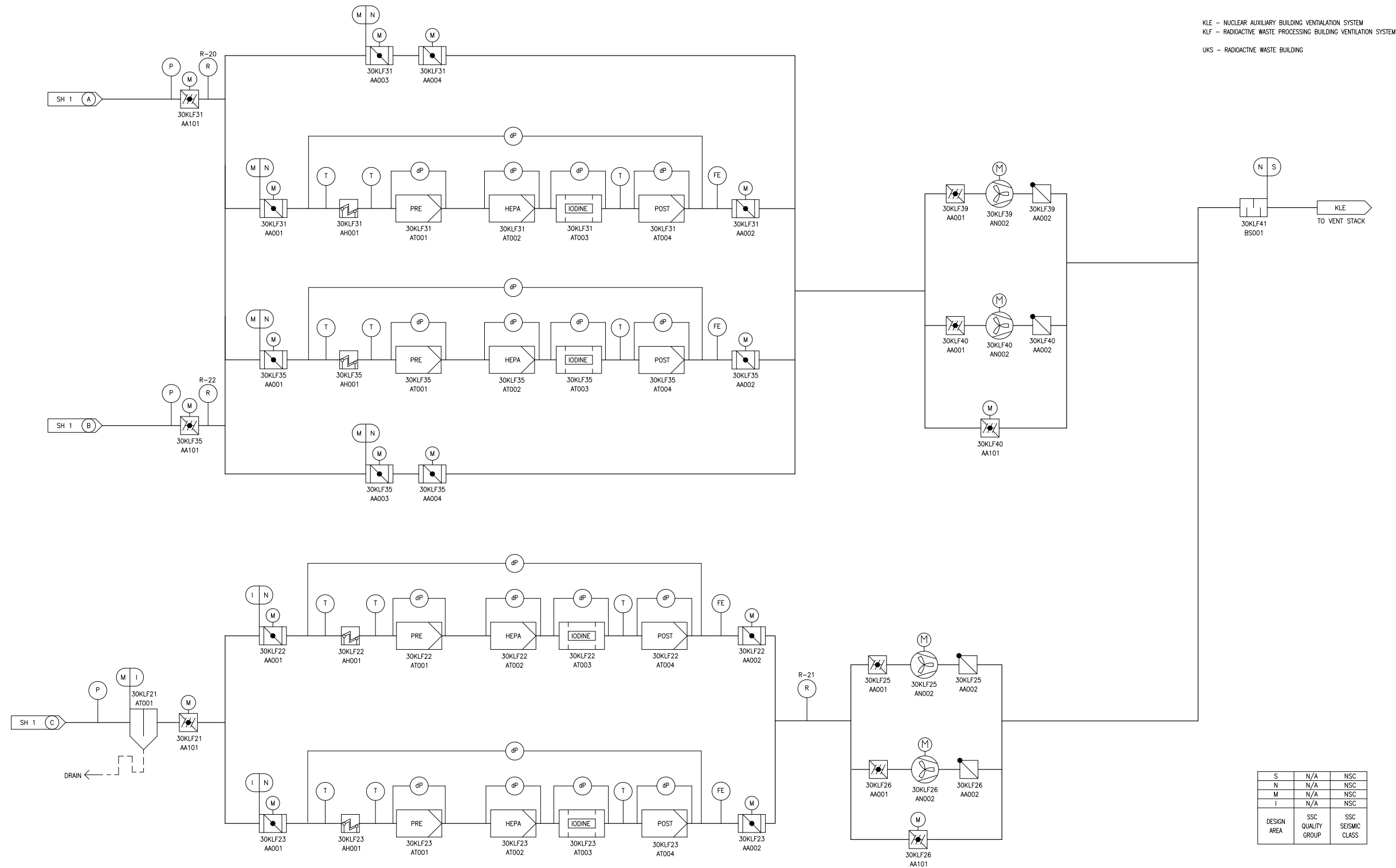


KLF – RADIOACTIVE WASTE PROCESSING BUILDING VENTILATION SYSTEM  
 QNS – OPERATIONAL CHILLED WATER SYSTEM  
 SBS – SPACE HEATING SYSTEM  
 UKS – RADIOACTIVE WASTE BUILDING

M	N/A	NSC
K	N/A	NSC
H	E	NSC
F	E	NSC
E	N/A	NSC
B	N/A	NSC
DESIGN AREA	SSC QUALITY GROUP	SSC SEISMIC CLASS

REV 005  
 KLF01T2

Figure 9.4.8-2—Radioactive Waste Building Ventilation System Exhaust Air Station



REV 005  
KLF02T2