

Figure 2.8.2-1—Main Steam Supply System Functional Arrangement
Sheet 1 of 2

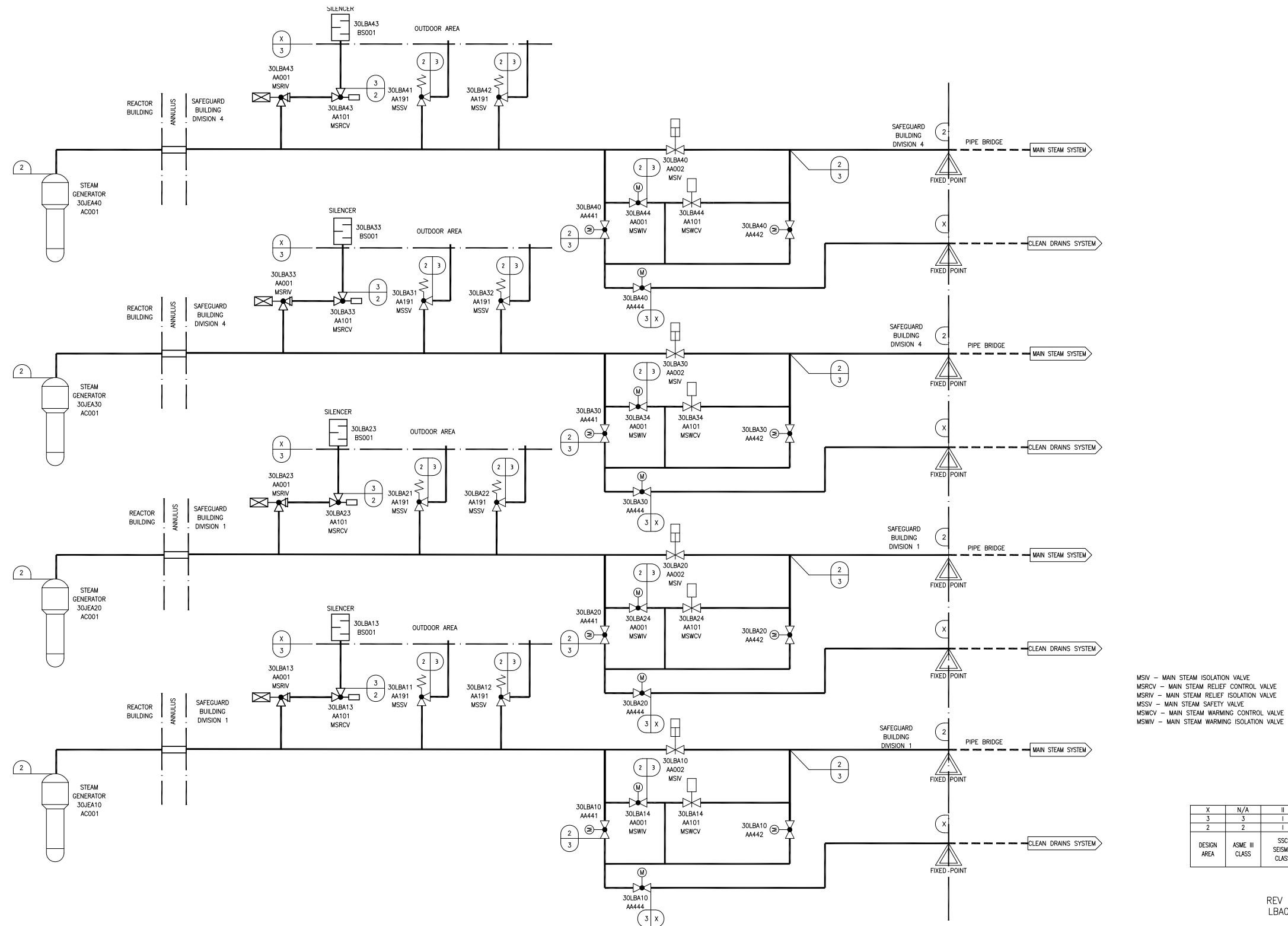
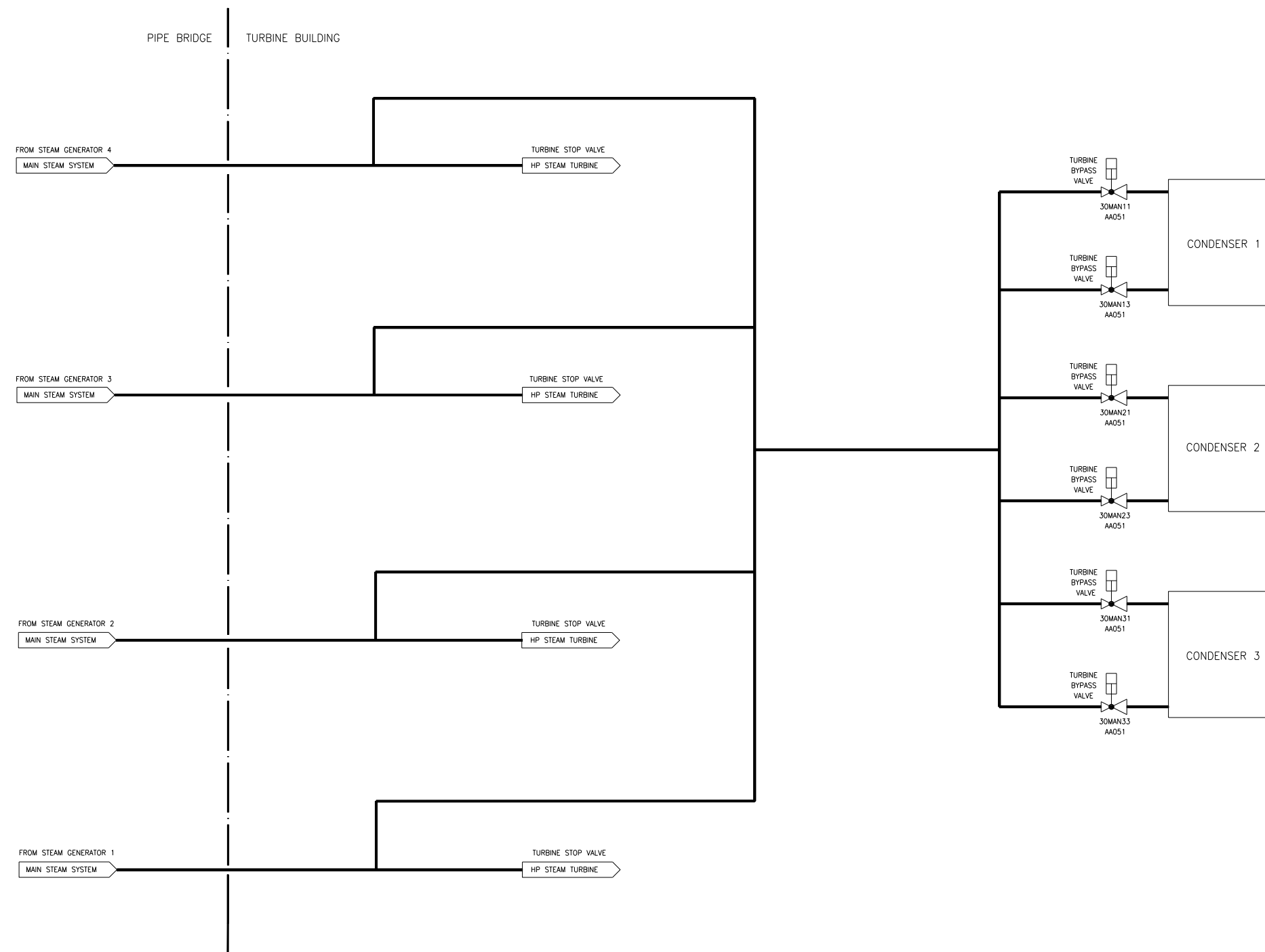


Figure 2.8.2-1—Main Steam Supply System Functional Arrangement
Sheet 2 of 2



3	N/A	N/A
DESIGN AREA	ASME	SSC SEISMIC CLASS

LBA02T1