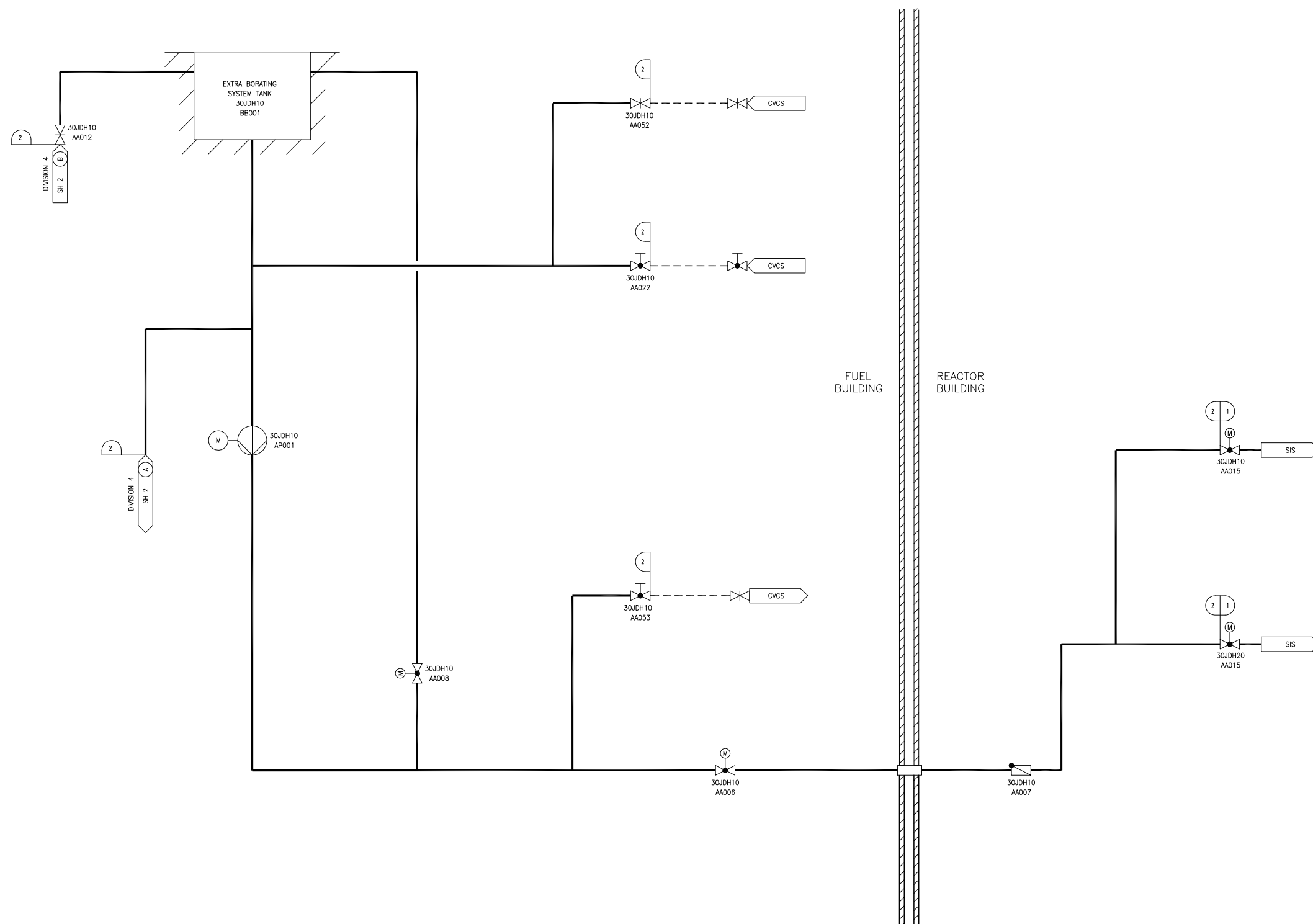


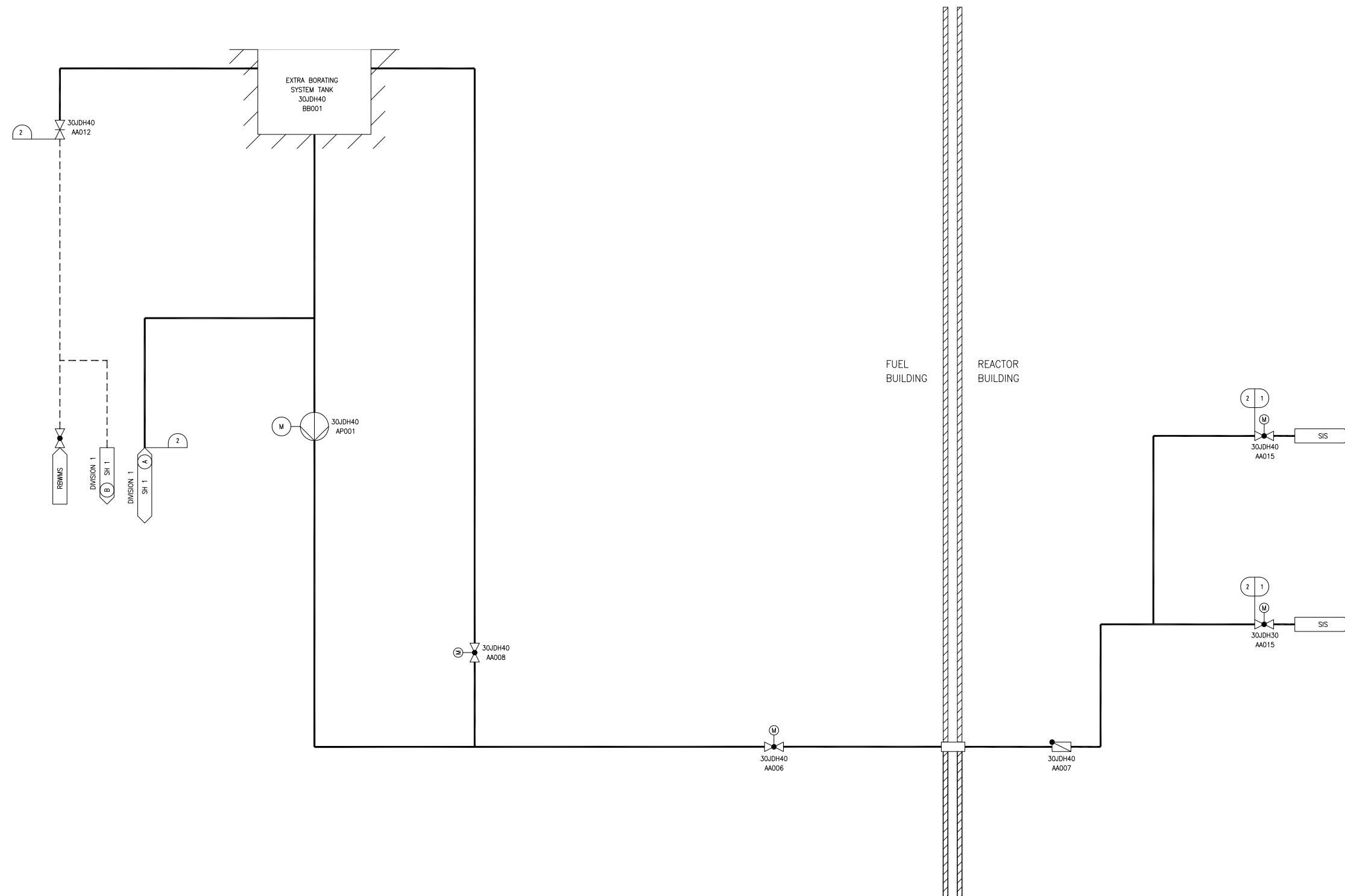
Figure 2.2.7-1—Extra Borating System Functional Arrangement
Sheet 1 of 2



| | | |
|-------------|----------------|-------------------|
| 2 | 2 | 1 |
| 1 | 1 | 1 |
| DESIGN AREA | ASME III CLASS | SSC SEISMIC CLASS |

REV 005
JDH01T1

Figure 2.2.7-1—Extra Borating System Functional Arrangement
Sheet 2 of 2



| | | |
|-------------|----------------|-------------------|
| 2 | 2 | 1 |
| 1 | 1 | 1 |
| DESIGN AREA | ASME III CLASS | SSC SEISMIC CLASS |

REV 005
JDH02T1