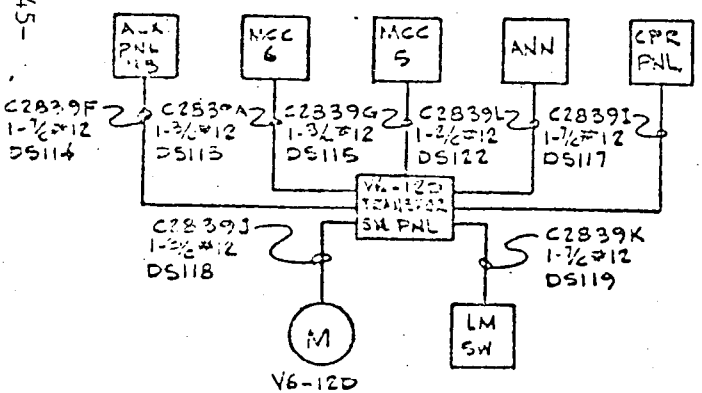


-45-



- NOTES:
1. USE FIGURES 13 & 14 IN CONJUNCTION WITH NUS DWG. 5137-E-6311, SH. 1-7.
 2. C----- DENOTES CABLE NUMBER
 - D----- DENOTES CONDUIT NUMBER AS SHOWN ON ROUTING DRAWING. (5137-E-6311)

C. WISER				

CAROLINA POWER & LIGHT COMPANY
H.B. ROBINSON STEAM ELECTRIC PLANT
DEDICATED SHUTDOWN
CABLE ROUTING BLOCK DIAGRAM
PLANS 5304-FIGURE 14

8002110441