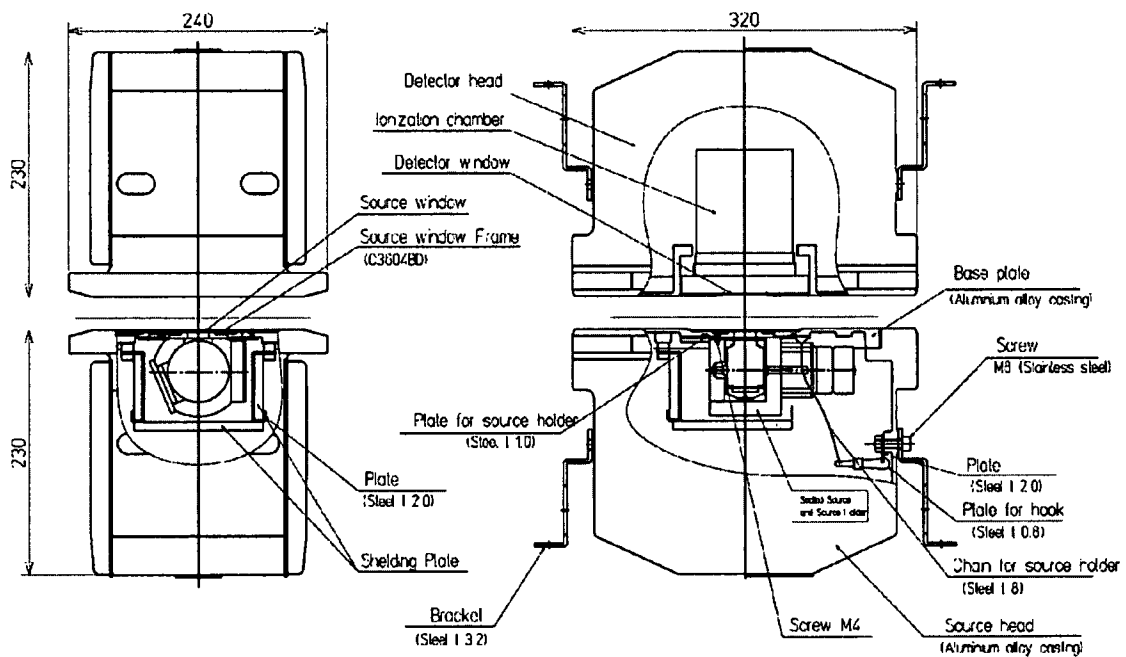
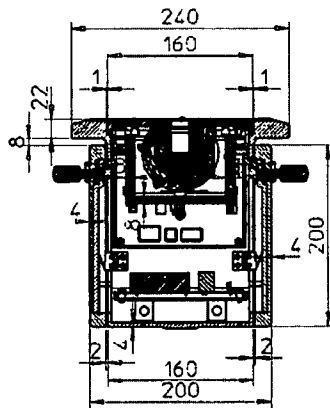
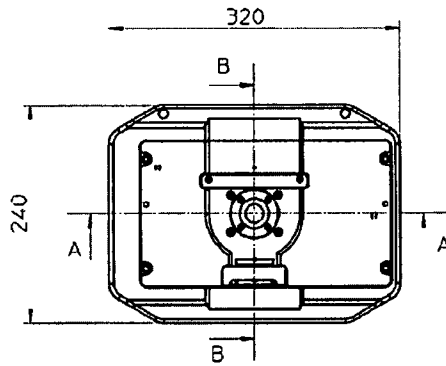


**Location of Beta Ray Sensor in O-Frame, C-Frame, and Build-In Frame Configurations**

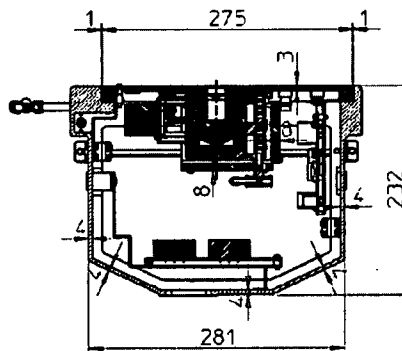


Trigonometry  
Unit . mm

**Beta Ray Sensor Overview, Front View**

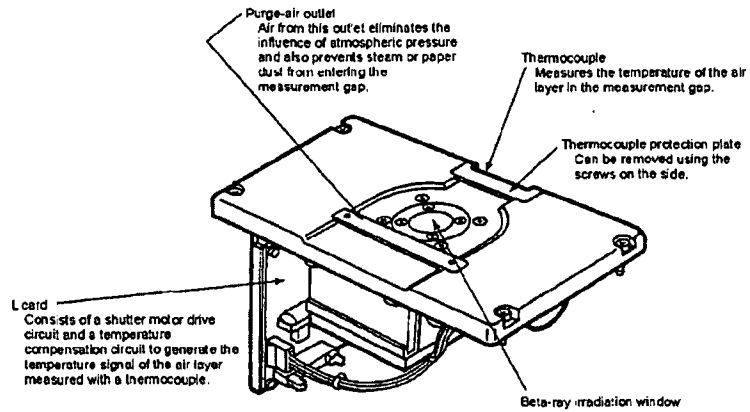
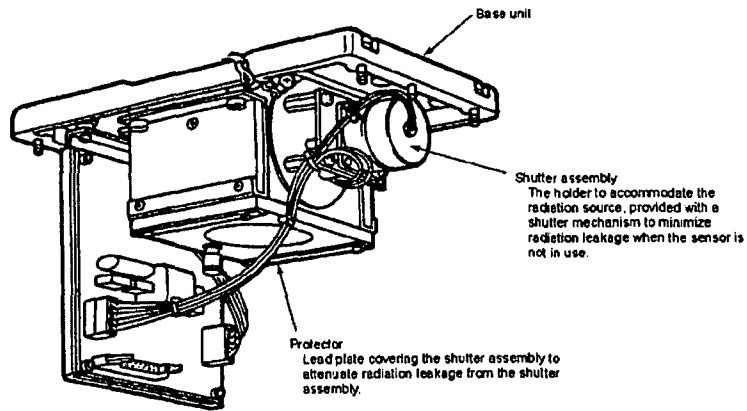


Section B-B

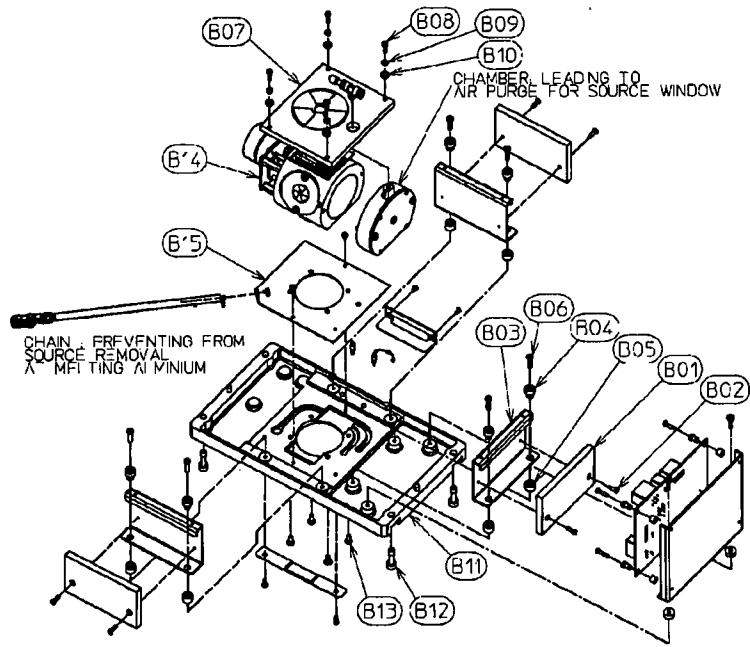


Section A-A

**Lower Sensor Case, Cutaway Views**

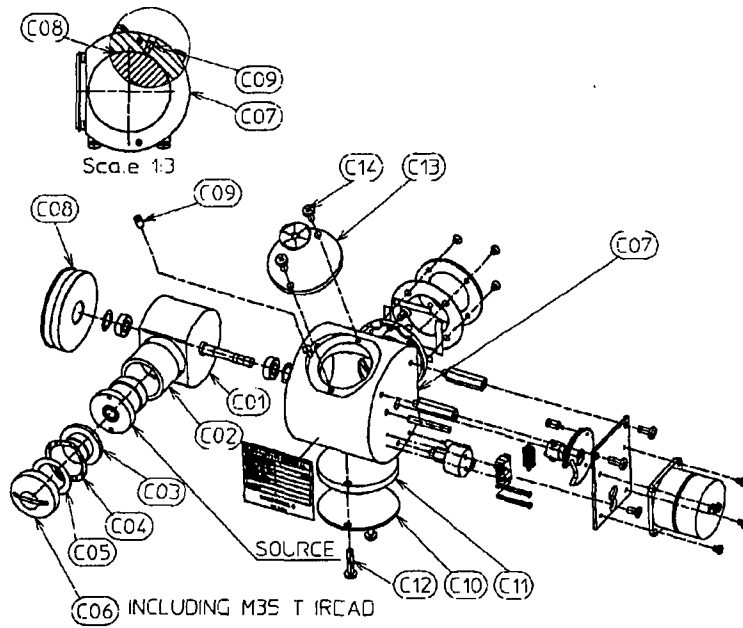


**Lower Sensor Unit, Isometric View**



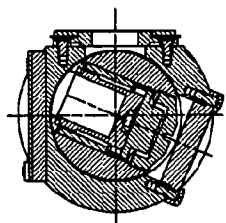
ITEM	NAME
B01	FLATE
B02	SCREW
B03	BRACKET
B04	BLUSH
B05	COLLAR
B06	SCREW
B07	PROTECTOR
B08	SCREW
B09	WASHER
B10	WASHER
B11	BASIC PLATE
B12	SCREW
B13	SCREW
B14	SHUTTLER ASSY
B15	FLATE

**Lower Sensor Unit, Exploded View**

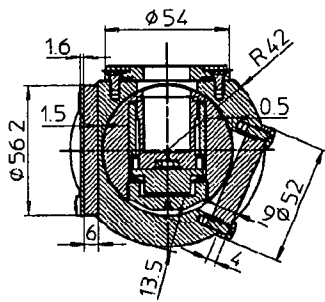
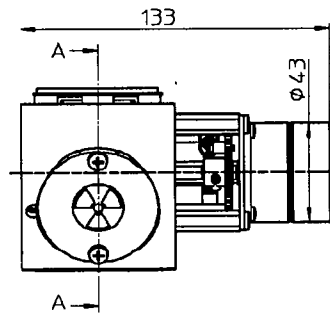


ITEM	NAME
C01	HOLDER
C02	PIPE
C03	CAP
C04	WASHER
C05	WASHER
C06	CAP
C07	BODY
C08	BLOCK
C09	SCREW
C10	PLATE
C11	PLATE
C12	SCREW
C13	CAP
C14	SCREW

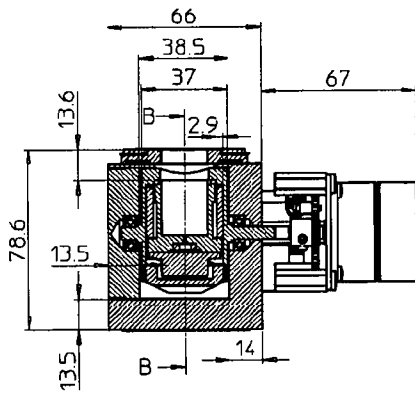
**Shutter Assembly, Exploded View**



Section A-A

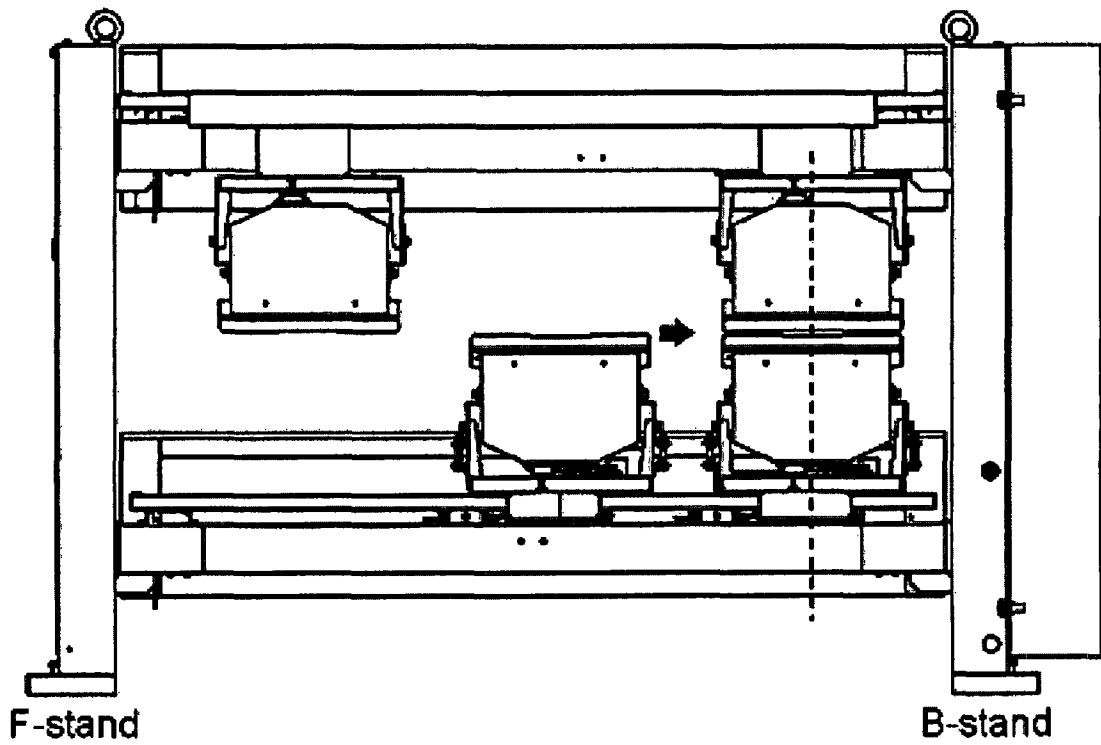


Section B-B



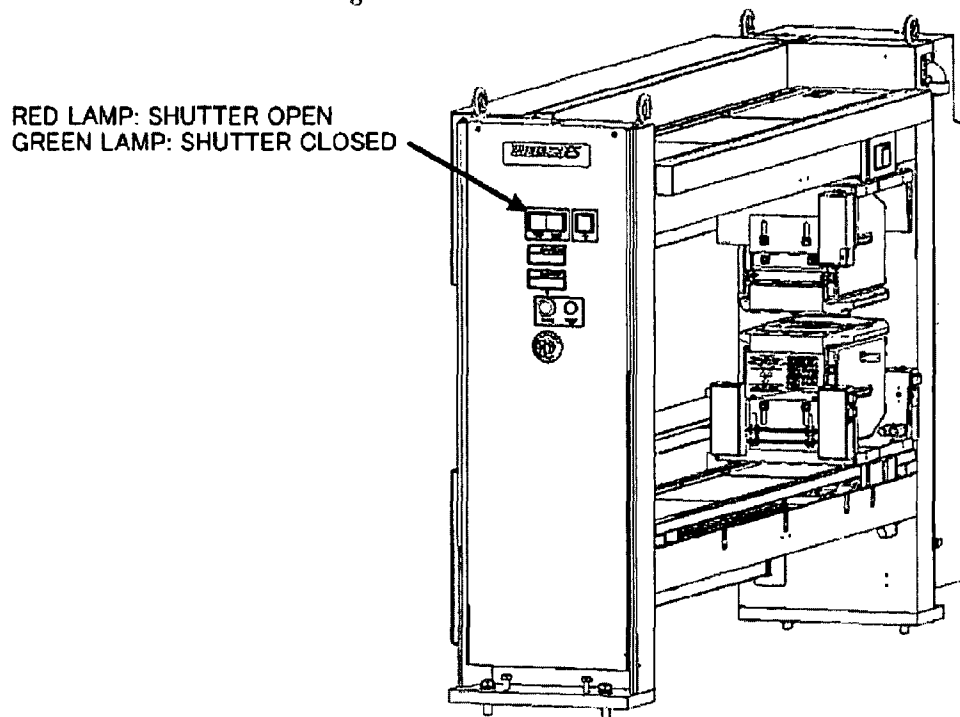
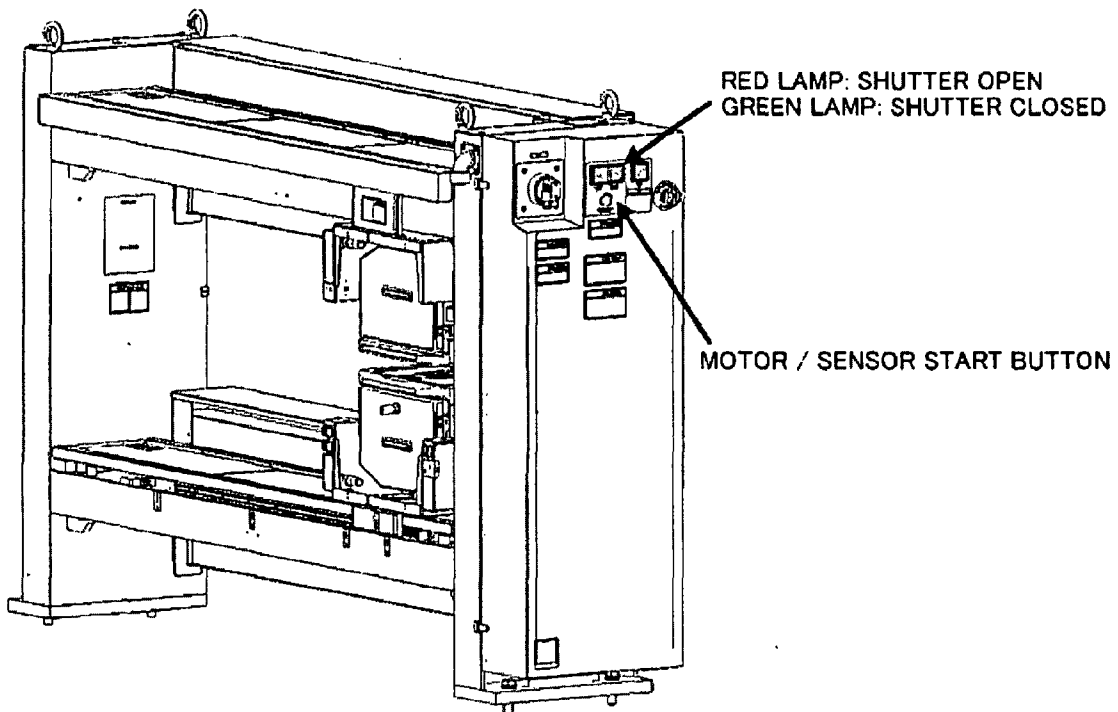
Sectional view

**Shutter Assembly, Cut-Away Views**

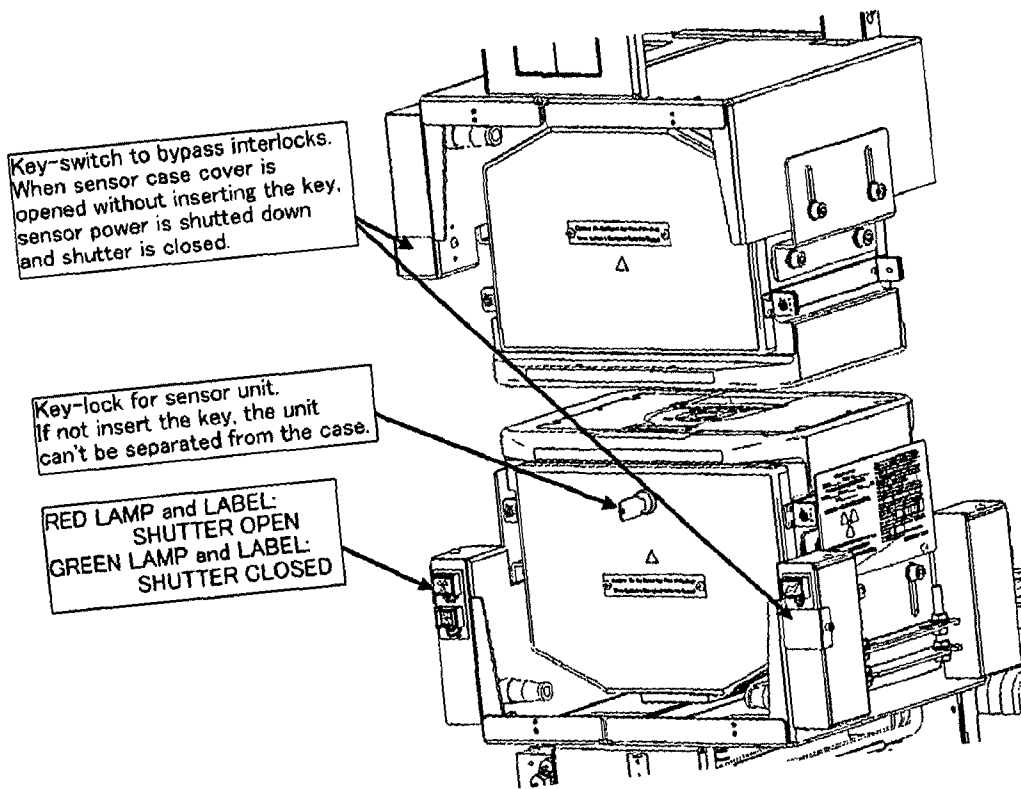


Location of RETIRE (Safe) Position in O-Frame





**View of O-Frame, Showing Location of Indicators**



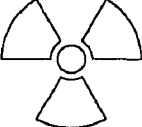
**Close-up of Sensor Unit, Showing Location of Indicators and Labels**

1 10

Engraved mark "WG31B1" or "WG41B1"

BETA RAY SENSOR  
 MODEL \_\_\_\_\_ SERIAL NO. \_\_\_\_\_  
 CONTAINS RADIOACTIVE MATERIAL  
 SOURCE \_\_\_\_\_ ACTIVITY \_\_\_\_\_ GBq( \_\_\_\_\_ Ci)  
 DATE \_\_\_\_\_

**CAUTION - RADIOACTIVE MATERIAL**



DO NOT CONTINUOUSLY OCCUPY THE AREA  
 WITHIN \_\_\_\_\_ FT OF THIS DEVICE  
**YOKOGAWA CORPORATION OF AMERICA**

NEWNAN, GA 30265

Receipt, possession, use and transfer of this device is subject to a general license or the equivalent on the regulations of the U.S. Nuclear Regulatory Commission ("NRC") or of a State with which the NRC has entered into an agreement for the exercise of regulatory authority.

Refer to the operating and service manuals entitled "On-line Thickness Gauge Installation Manual," "Beta-Ray Sensor User's Manual," and "Radiation Safety User's Manual" for information concerning the safe installation, operation, and servicing of this device.


Abandonment or disposal is prohibited unless transferred to persons specifically licensed by the U.S. NRC or of a State with which the NRC has entered into an agreement for the exercise of regulatory authority.

Installation, dismantling, relocation, maintenance, repair and testing involving the radioactive material, or its shielding or containment shall be performed by persons specifically authorized by the U.S. NRC or of a State with which the NRC has entered into an agreement for the exercise of this authority.

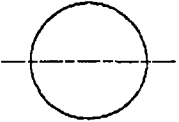
Proper operation of the on-off shutter mechanism and indicator must be tested at intervals not to exceed six (6) months according to the procedure provided in the operating manual entitled "Beta-Ray Sensor User's Manual."

This label shall be maintained on this device in a legible condition. Removal of this label is prohibited.

19



SHUTTER OPEN      SHUTTER CLOSED



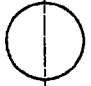
MOTOR/SENSOR START SW

Engraved mark

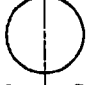
3 4 11 12

⊕ Caution: Do Not Insert Any Part of the Body  
 When System is Energized - Beta-ray Hazard ⊕

7 14

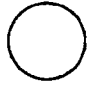


SHUTTER OPEN



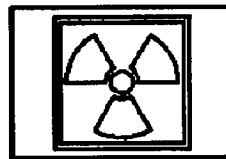
SHUTTER CLOSED

2 5

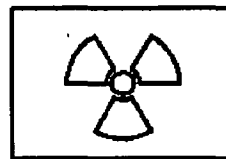


Interlock Disable

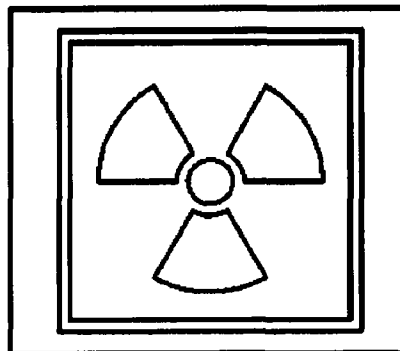
8 15



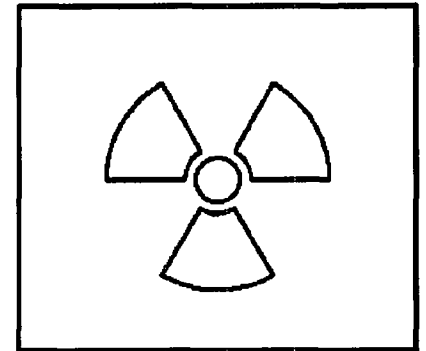
6 13



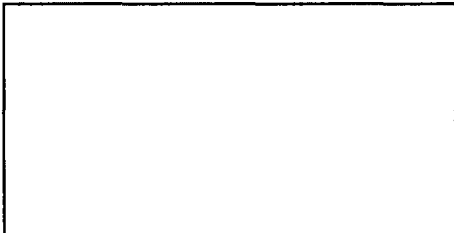
17 21



18 22



23



SHUTTER OPEN      SHUTTER CLOSED

Copy of Labels