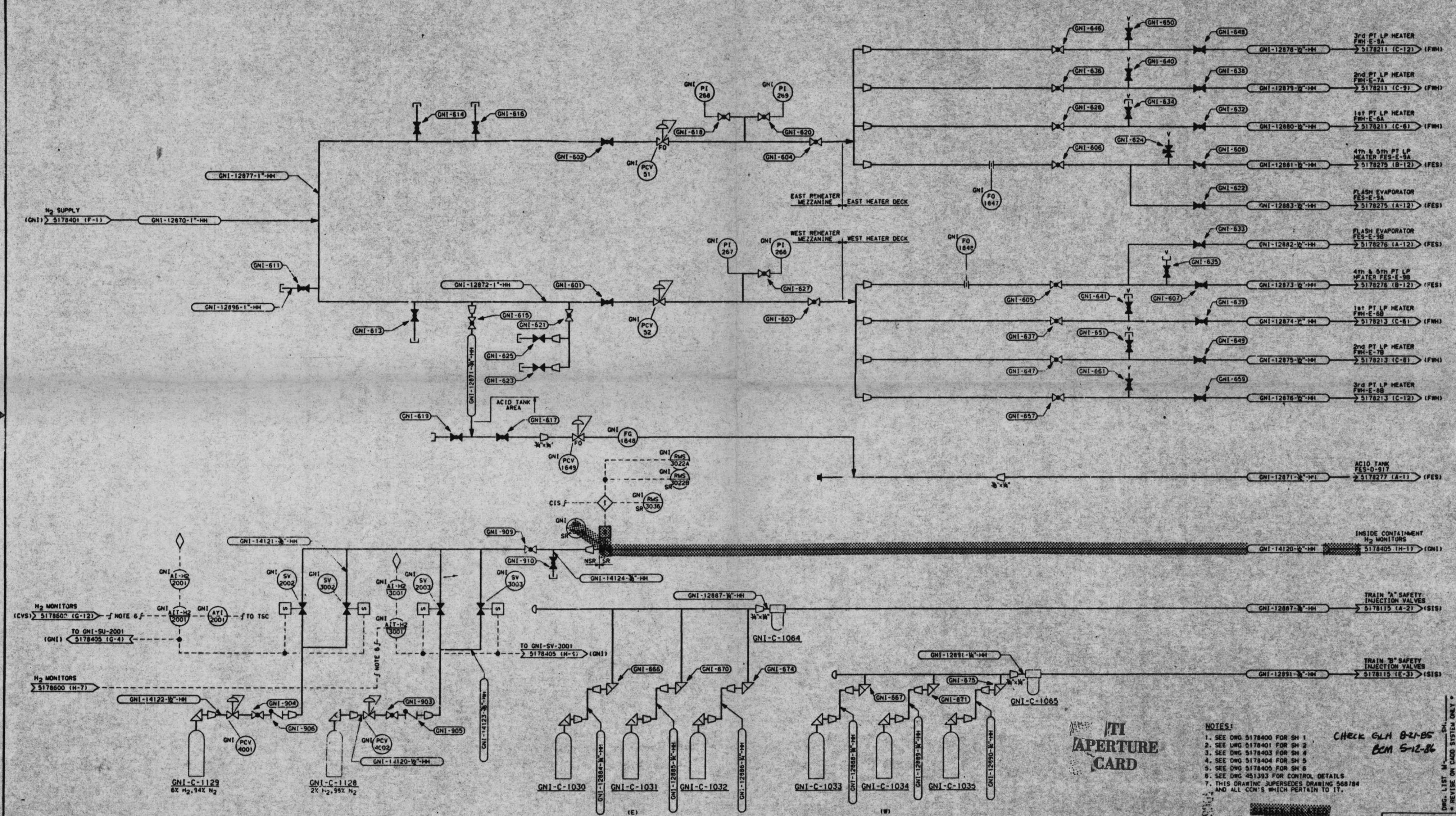


1 2 3 4 5 6 7 8 9 10 11 12

GNI-C-1128 & C-1129
H₂ MONITOR CALIBRATION GAS CYLINDERS

GNI-C-1030, C-1031 & C-1032
TRAIN "A" SAFETY INJECTION
VALVE N₂ GAS CYLINDERS

GNI-C-1033, C-1034 & C-1035
TRAIN "B" SAFETY INJECTION
VALVE N₂ GAS CYLINDERS



ITI
APERTURE
CARD

- NOTES:
1. SEE DWG 5178400 FOR SH 1
 2. SEE DWG 5178401 FOR SH 2
 3. SEE DWG 5178403 FOR SH 3
 4. SEE DWG 5178404 FOR SH 4
 5. SEE DWG 5178405 FOR SH 5
 6. SEE DWG 451393 FOR CONTROL DETAILS
 7. THIS DRAWING SUPERSEDES DRAWING 568784 AND ALL COR'S WHICH PERTAIN TO IT.

CHECK GLA 821-B5
BCM 5-12-86

| NO. | REVISIONS | M | DATE | P.E. | ONE | SUPY | APPROVED | ENGR | CK'D | MADE | J.O. | NO. | REVISIONS | M | DATE | P.E. | ONE | SUPY | APPROVED | ENGR | CK'D | MADE | J.O. | NO. |
|---------|--|---|------|------|-----|------|----------|------|------|------|------|-----|-----------|---|------|------|-----|------|----------|------|------|------|------|-----|
| 5178000 | P & I DIAGRAM LEGEND SH 1 | | | | | | | | | | | | | | | | | | | | | | | |
| 5178001 | P & I DIAGRAM LEGEND SH 2 | | | | | | | | | | | | | | | | | | | | | | | |
| 5178002 | P & I DIAGRAM LEGEND SH 3 | | | | | | | | | | | | | | | | | | | | | | | |
| 514265 | S I VALVE PNEUMATIC SYS RECHARGE | | | | | | | | | | | | | | | | | | | | | | | |
| 451355 | LOGIC DIAGRAM-CONTAINMENT ISOLATION | | | | | | | | | | | | | | | | | | | | | | | |
| 451393 | LOOP DIAGRAM-CONTAINMENT H ₂ MONITORING | | | | | | | | | | | | | | | | | | | | | | | |

(SRAN) WP 62-297

LOCATION: SAN ONOFPE NUCLEAR GEN. STA., UNIT 1

P & I DIAGRAM
GASEOUS NITROGEN
SYSTEM SHEET 3

SCALE: NONE

OF _____ SHTS.

5178402-1

MICROFILMED FROM
BEST AVAILABLE COPY

26X

15