

# NRC Public Meeting

Monticello

March 31, 2014

# Monticello Presenters

- **Timothy O'Connor, Senior Vice President and Chief Nuclear Officer**
- **Karen Fili, Site Vice President**
- **Peter Gardner, Director, Site Operations**
- **Harlan Hanson, Plant Manager**
- **Mark Lingenfelter, Director, Site Engineering**

# Agenda

- **Monticello Values and Priorities**
- **Monticello – Investing in Safe and Reliable Operations for the Future**
- **NRC-Issued Flooding Mitigation Yellow Finding**
- **Human Performance**
- **Dry Fuel Storage**
- **Closing Remarks**

# Monticello Values and Priorities

- Safety



- People



- Community



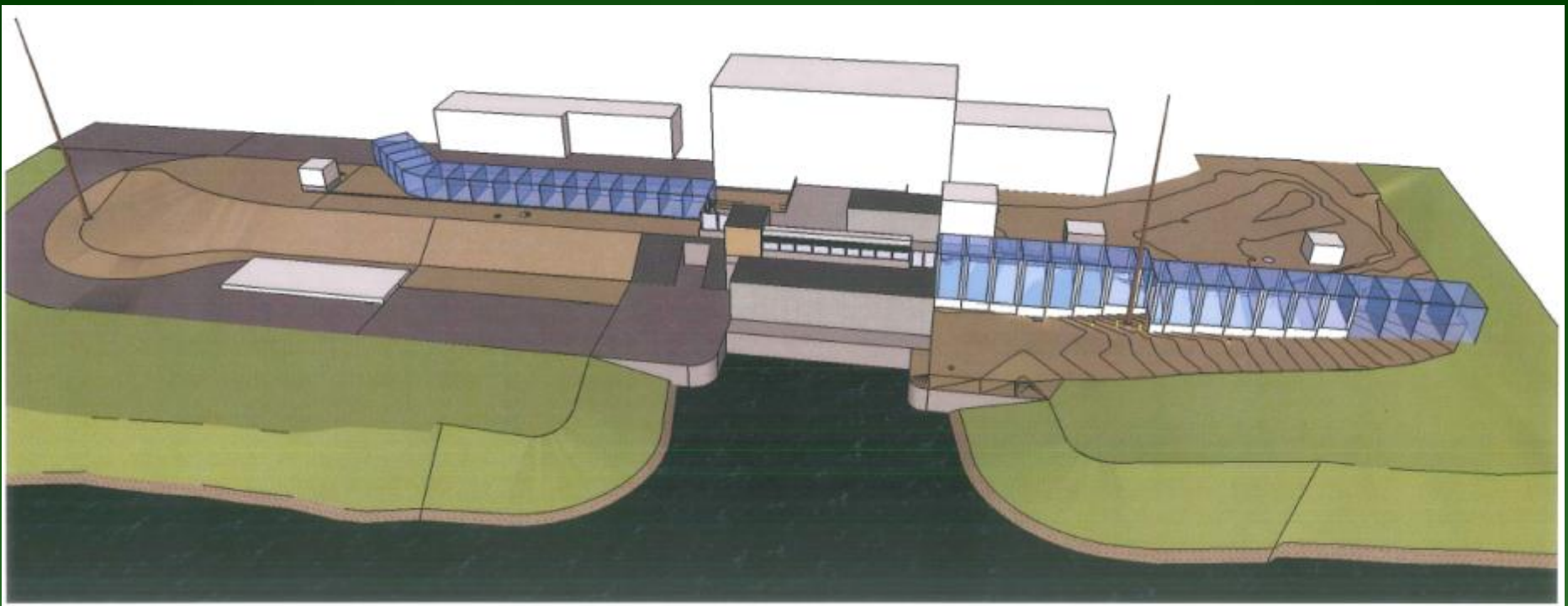
# Monticello - Investing in Safe and Reliable Operations for the Future

- Main transformer
- Main generator
- Steam dryer
- 13.8 Kv electrical system
- Reactor feed pumps
- Condensate pumps
- Feedwater heaters



# NRC-Issued Flooding Mitigation Yellow Finding

- **Most significant issue at the site:**
  - From February 2012 through February 2013, Monticello did not maintain flood mitigation procedures such that timely implementation could be accomplished
  - Compliant since February 2013
- **How did we improve?**
  - Safety Culture
  - Physical barriers





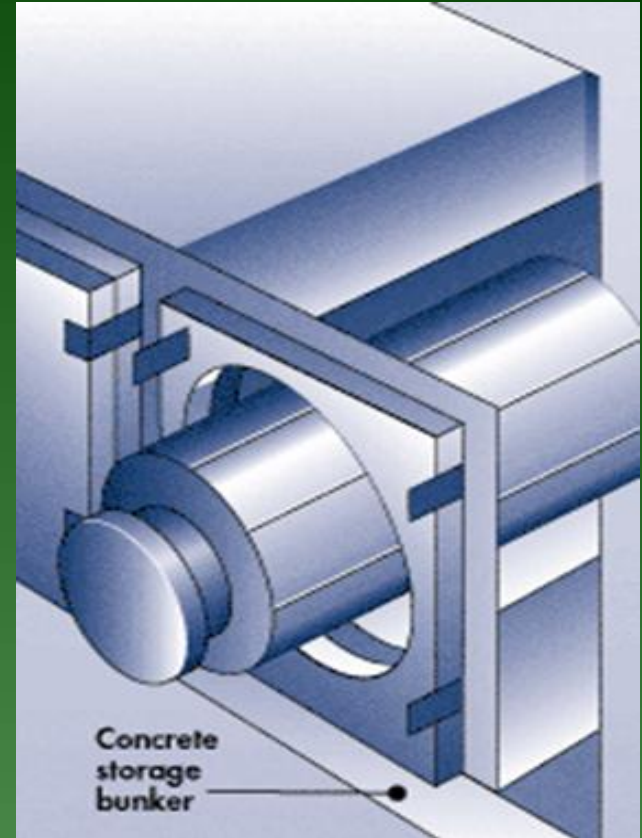




# Human Performance and Decision Making

- Leadership training and mentoring
- Increased management presence in the field
- Supplemental worker oversight
- Safety performance improvement
- Working Level Safety Committee

# Monticello Dry Fuel Storage



# Monticello Dry Fuel Storage

- In 2013, Monticello suspended loading when NRC inspector identified issue with weld inspection
- Affects five canisters in ISFSI and one inside the plant
- Canisters' integrity demonstrated by testing and condition poses no risk to health and safety of employees or public
- Issue resolution team led by senior level manager
- Recent learnings around decision making applied
- Continue to dialogue with NRC on resolution

# Summary

- Site Vice President's closing remarks





***Xcel Energy***<sup>®</sup>

---

RESPONSIBLE BY NATURE<sup>®</sup>