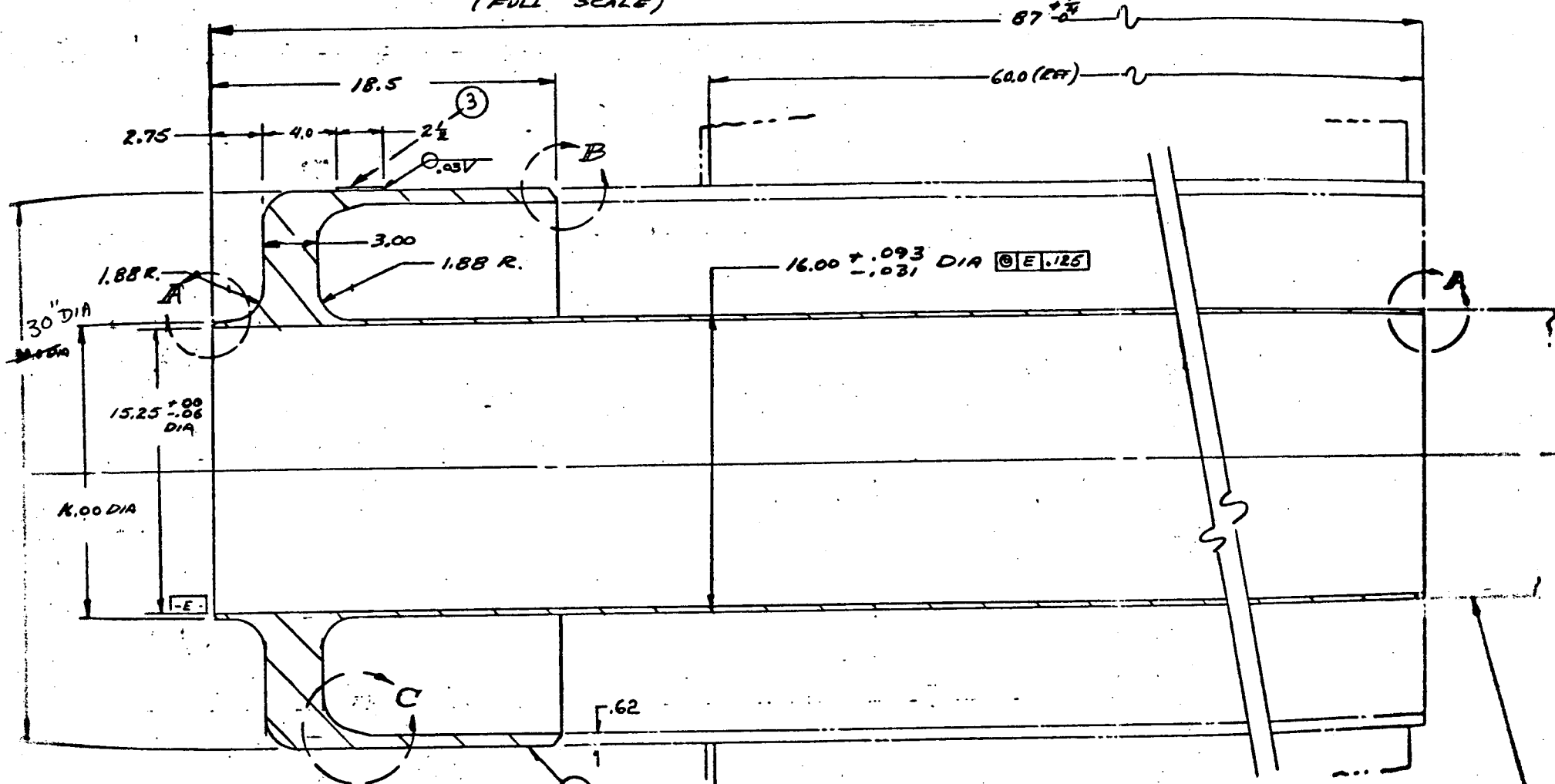
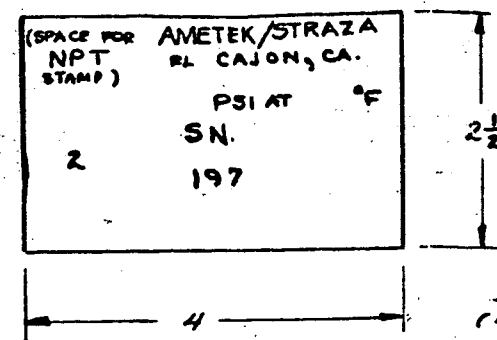
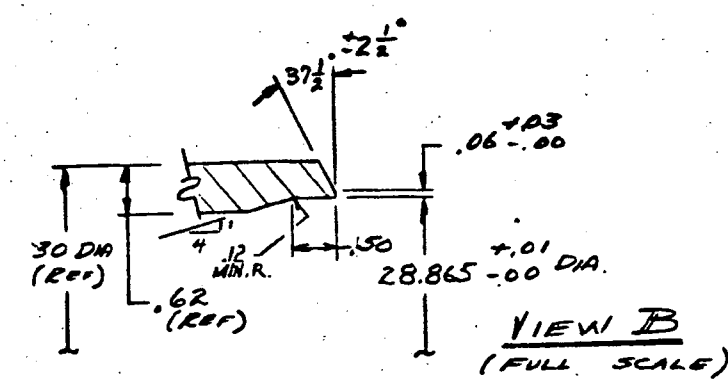
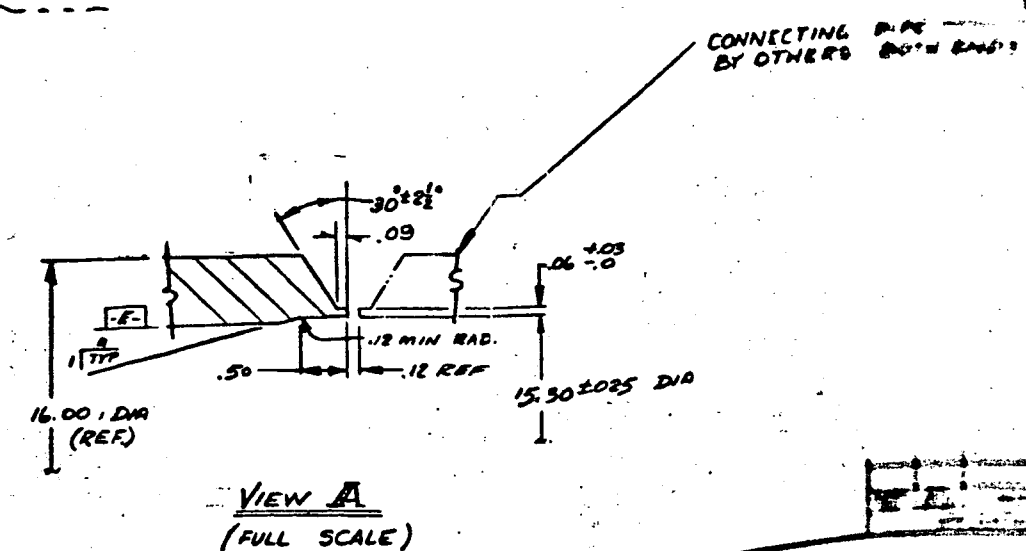
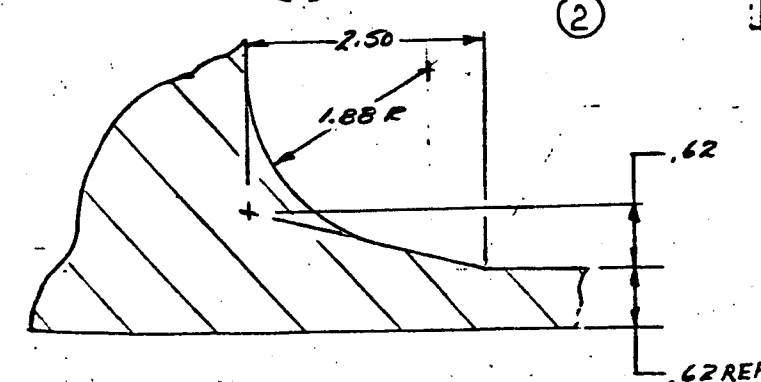


REVISIONS				
EDM	LTR	DESCRIPTION	DATE	APPROVED



- NOTES:
1. PENETRATION PER ASME BOILER AND PRESSURE VESSEL CODE, SECTION III, CLASS B. CODE STAMP REQD. (NPT)
 2. DESIGN BASIS
PRESSURE — 615 PSIG.
TEMPERATURE — 400° F
 3. DESIGN SPECIFICATION NO. 5023-409-12
SCE NO. 4156
 4. FRACTIONAL DIM. TOLERANCE ± 1/16"
 5. IDENTIFY WITH PENETRATION NUMBER.
USE 1" HIGH NUMBERS - USE BLACK LOW CHLORID
SERIES NO. 1001 INK - PANIER COEP OR EQUAL.
 6. CLEAN AND PREP. FOR SHIPMENT PER 8-530



CONNECTING PIPE BY OTHERS 80" W BANDS

8006230 538

QTY	EDM	LTR	CODE IDENT	PART NUMBER	DESCRIPTION	SIZE	MATERIAL	SPECIFICATION
1				7-050017-3	NAMP RATE	30 DIA 187	T304	SARNO
1				7-050017-2	FORGING	30 DIA 187	F36	SA-182
1				7-050017-1	ASSEMBLY			

CONTRACT NO.		PROJECT		DRAWING NO.	
W.C.A. 4794		MECHANICAL PENETRATION		D 03024	
PROJECT		DESIGN ENGR		CHECK	
DRAWN		DATE		SCALE	
SHEET		WEIGHT		SHEET	
1 of 1		115.9		1 of 1	