



# CALCULATION SHEET

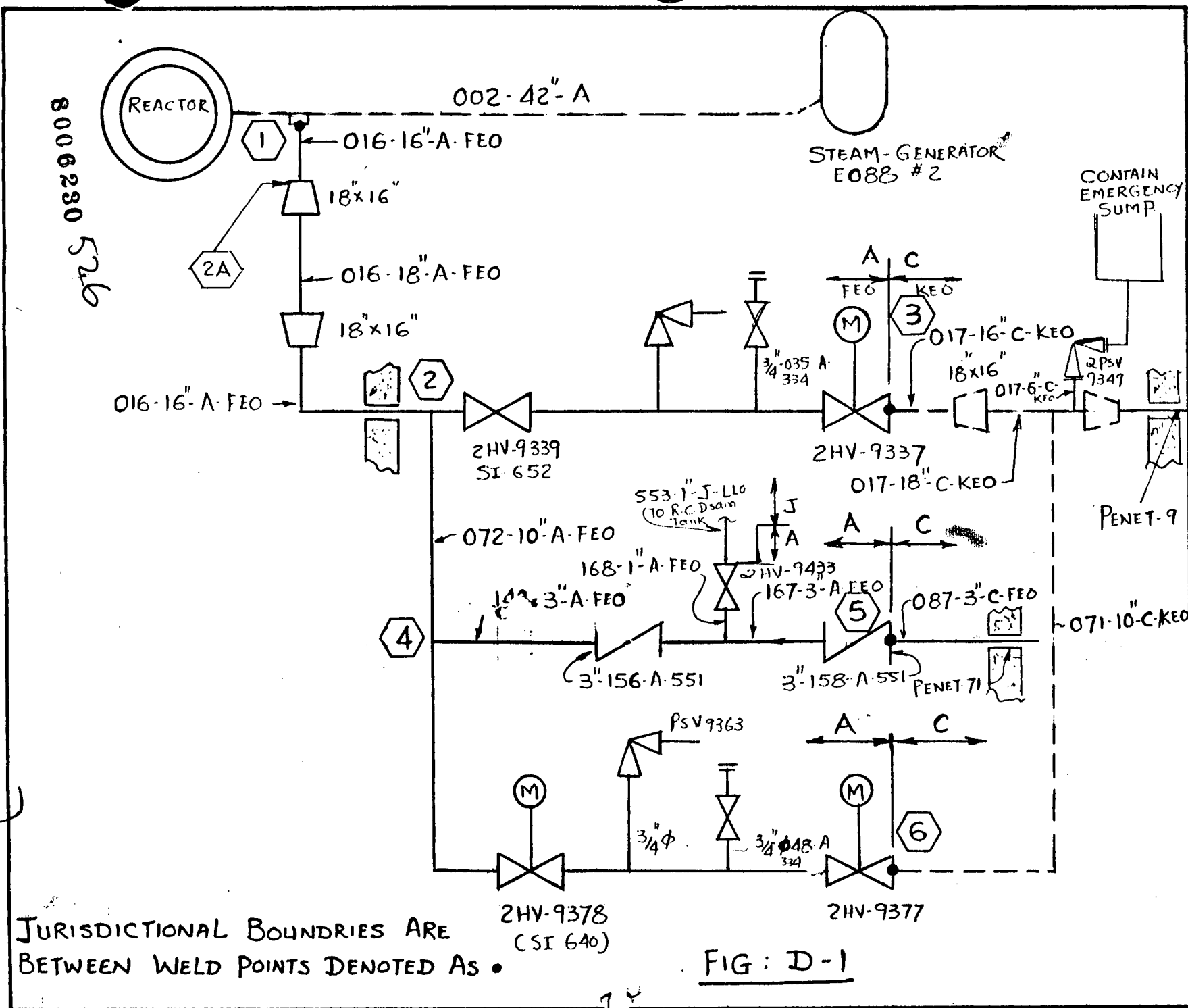
CALC. NO. 52

SIGNATURE P. R. Shah DATE 8/15/79 CHECKED APP DATE 6/15/80

PROJECT SANCS UNIT # 2 JOB NO. 10079003

SUBJECT SHUTDOWN COOLING LINE HISTOGRAM SHEET 1 OF 2 SHEETS

36 35 34 32 31 30 29 28 27 26 25 24 23 22 21 20 19 18 17 15 14 13 12 11 10 9 8 7 6 5 4 3 2 1



8006230 526

JURISDICTIONAL BOUNDRIES ARE BETWEEN WELD POINTS DENOTED AS •

FIG: D-1