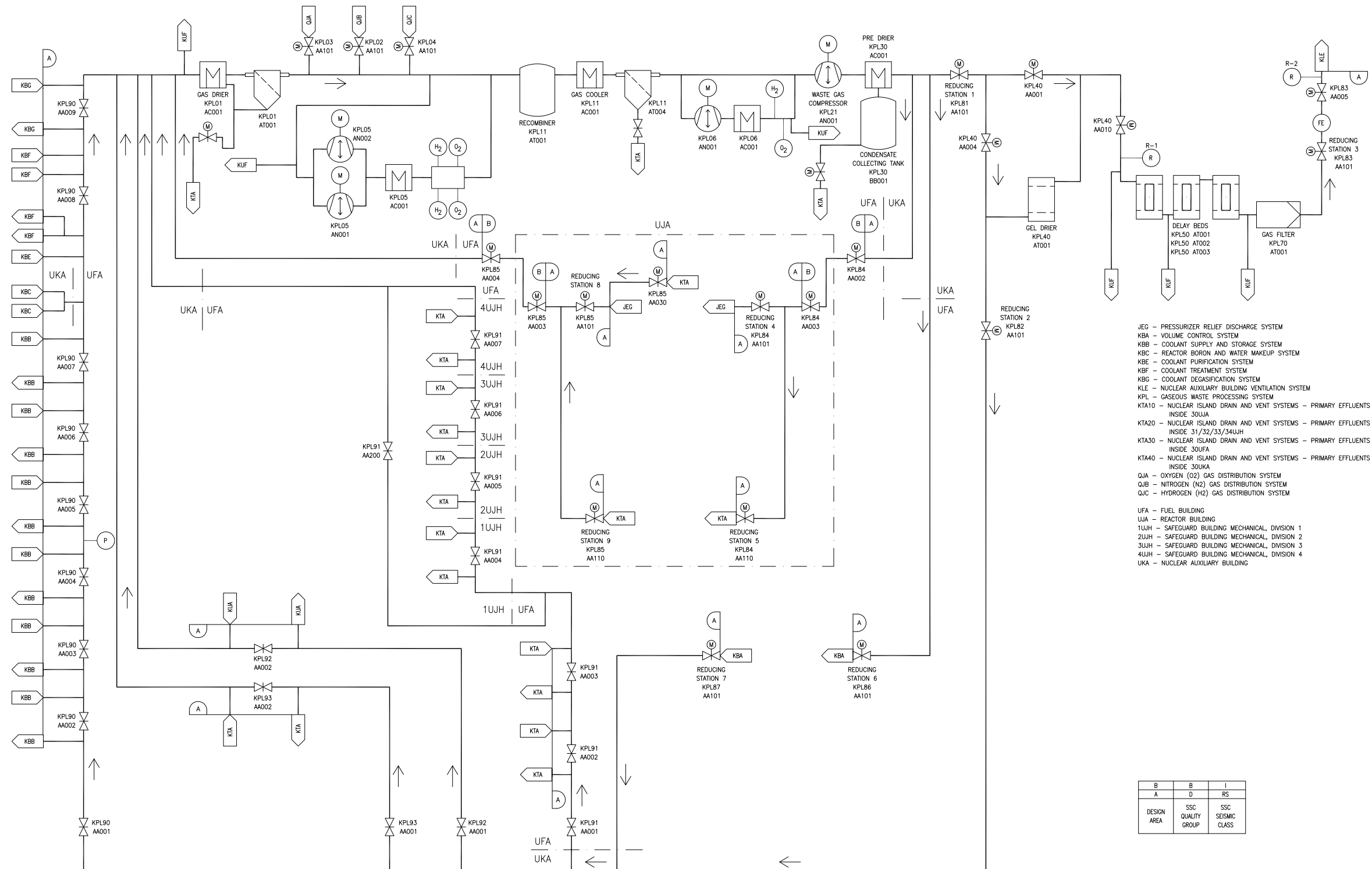


Figure 11.3-1—Gaseous Waste Processing System - Normal Operation

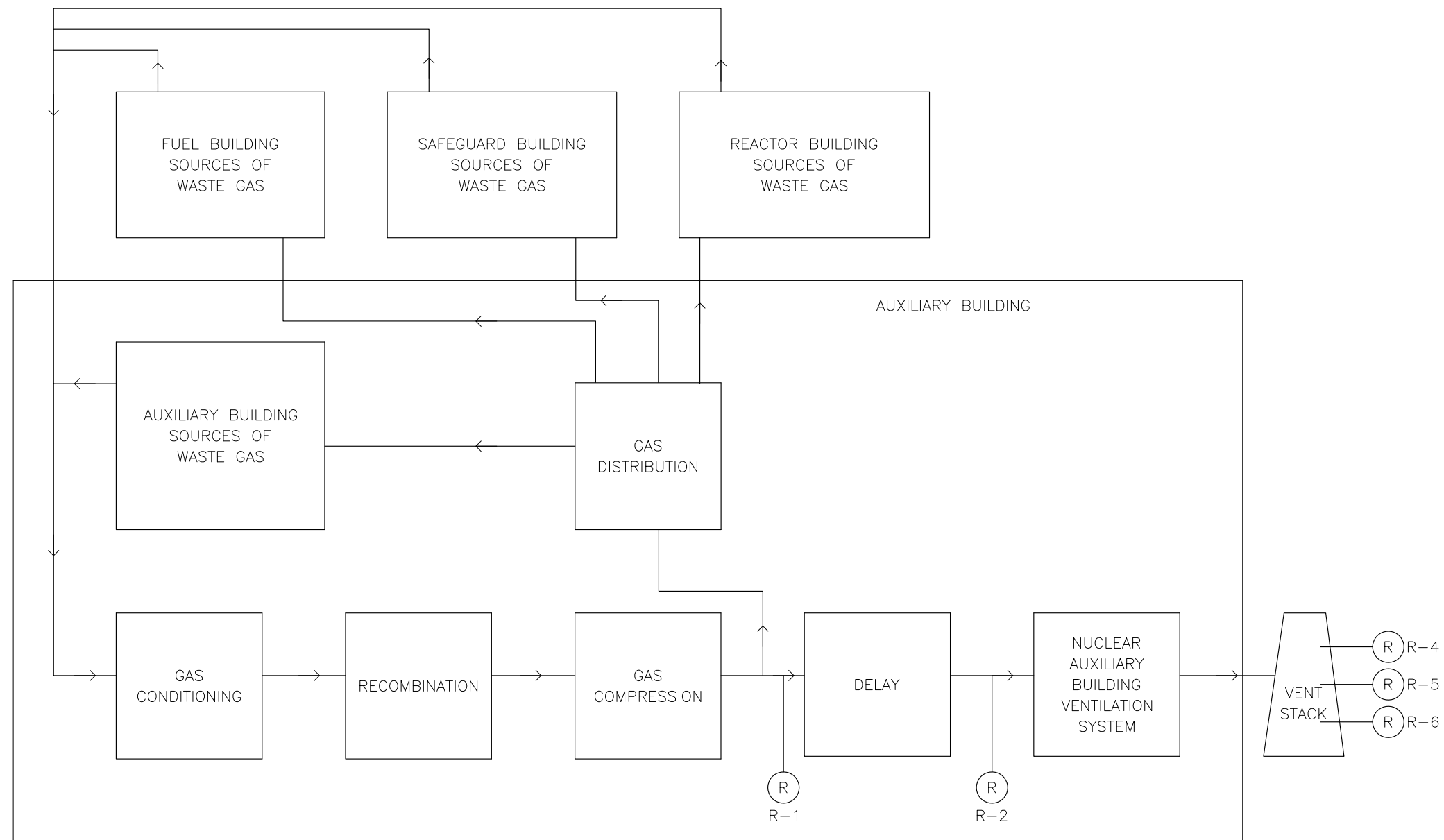


- JEG - PRESSURIZER RELIEF DISCHARGE SYSTEM
- KBA - VOLUME CONTROL SYSTEM
- KBB - COOLANT SUPPLY AND STORAGE SYSTEM
- KBC - REACTOR BORON AND WATER MAKEUP SYSTEM
- KBE - COOLANT PURIFICATION SYSTEM
- KBF - COOLANT TREATMENT SYSTEM
- KBG - COOLANT DEGASIFICATION SYSTEM
- KLE - NUCLEAR AUXILIARY BUILDING VENTILATION SYSTEM
- KPL - GASEOUS WASTE PROCESSING SYSTEM
- KTA10 - NUCLEAR ISLAND DRAIN AND VENT SYSTEMS - PRIMARY EFFLUENTS INSIDE 30UJA
- KTA20 - NUCLEAR ISLAND DRAIN AND VENT SYSTEMS - PRIMARY EFFLUENTS INSIDE 31/32/33/34UJH
- KTA30 - NUCLEAR ISLAND DRAIN AND VENT SYSTEMS - PRIMARY EFFLUENTS INSIDE 30UFA
- KTA40 - NUCLEAR ISLAND DRAIN AND VENT SYSTEMS - PRIMARY EFFLUENTS INSIDE 30UKA
- UKA - OXYGEN (O₂) GAS DISTRIBUTION SYSTEM
- UJA - NITROGEN (N₂) GAS DISTRIBUTION SYSTEM
- UJA - HYDROGEN (H₂) GAS DISTRIBUTION SYSTEM
- UFA - FUEL BUILDING
- UKA - REACTOR BUILDING
- 1UJH - SAFEGUARD BUILDING MECHANICAL, DIVISION 1
- 2UJH - SAFEGUARD BUILDING MECHANICAL, DIVISION 2
- 3UJH - SAFEGUARD BUILDING MECHANICAL, DIVISION 3
- 4UJH - SAFEGUARD BUILDING MECHANICAL, DIVISION 4
- UKA - NUCLEAR AUXILIARY BUILDING

B	B	I
A	D	RS
DESIGN AREA	SSC QUALITY GROUP	SSC SEISMIC CLASS

REV 003
KPL01T2

Figure 11.3-2—Gaseous Waste Processing System - Gaseous Waste Sources



REV 003
KPL07T2