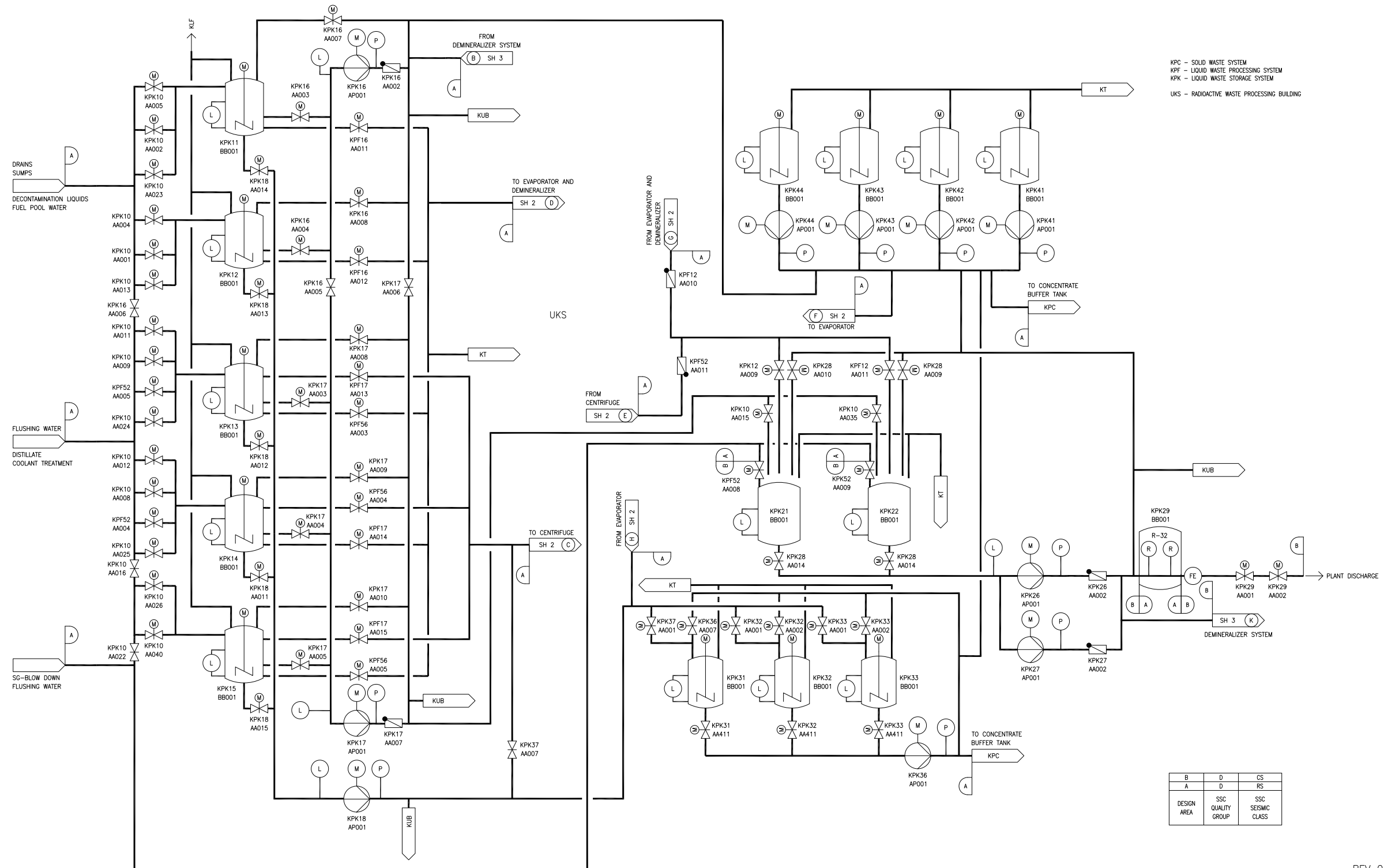


Figure 11.2-1—Liquid Waste Storage System



REV 005
KPF01T2

Figure 11.2-2—Liquid Waste Processing System, Evaporator System

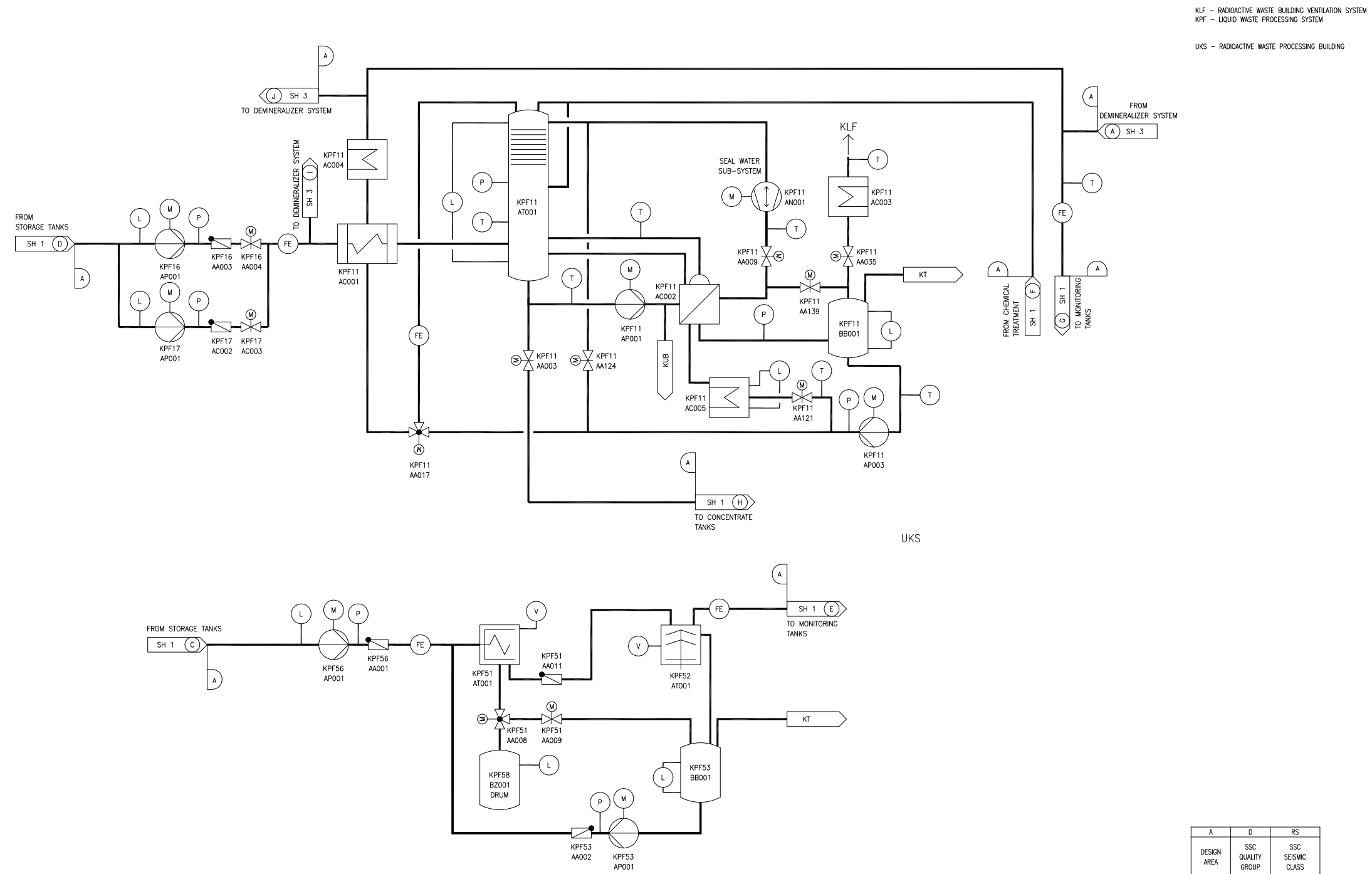
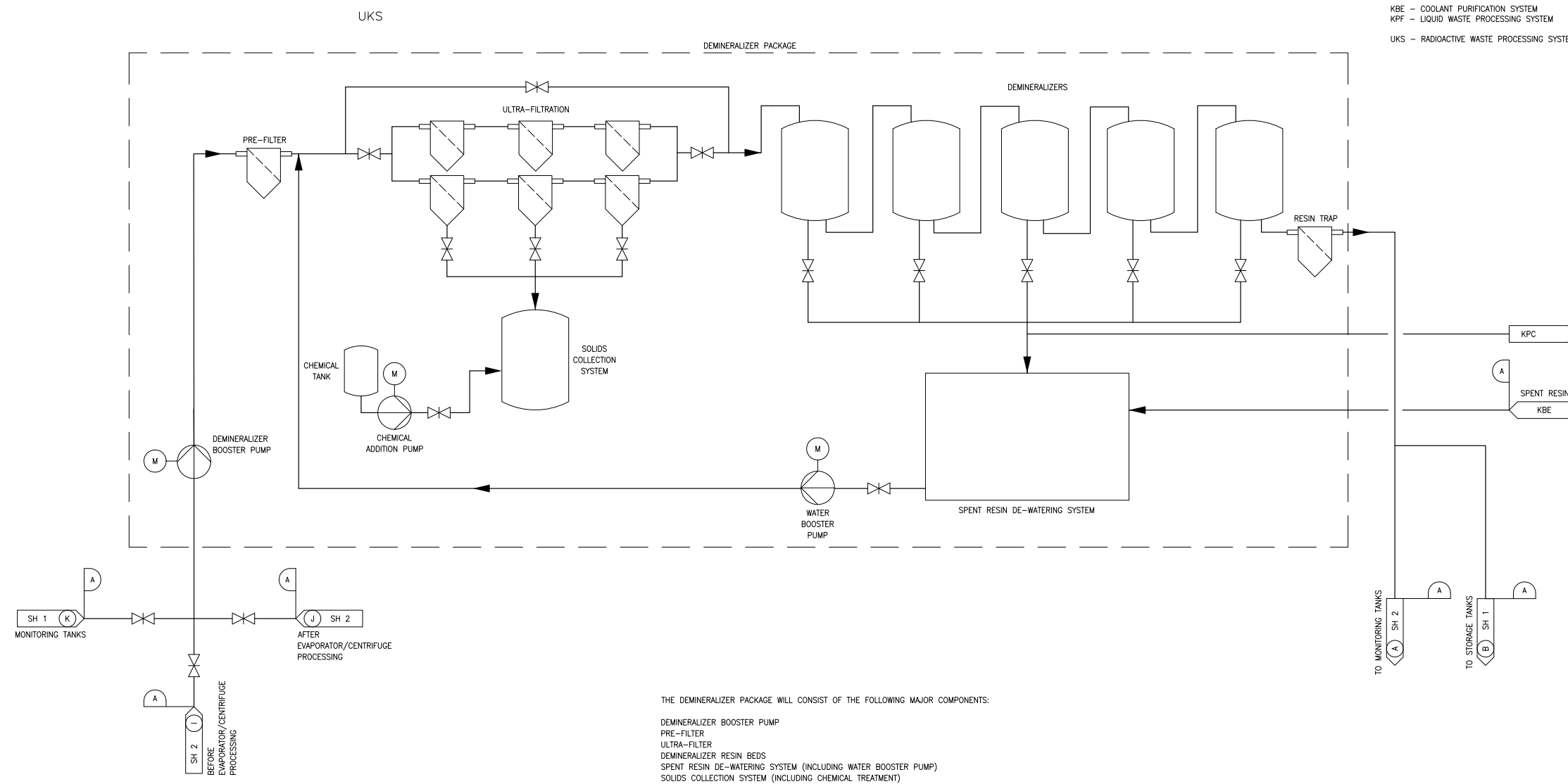


Figure 11.2-3—Liquid Waste Processing, Demineralizer System



KBE - COOLANT PURIFICATION SYSTEM
 KPF - LIQUID WASTE PROCESSING SYSTEM
 UKS - RADIOACTIVE WASTE PROCESSING SYSTEM

A	D	RS
DESIGN AREA	SSC QUALITY GROUP	SSC SEISMIC CLASS

REV 002
 KPF03T2