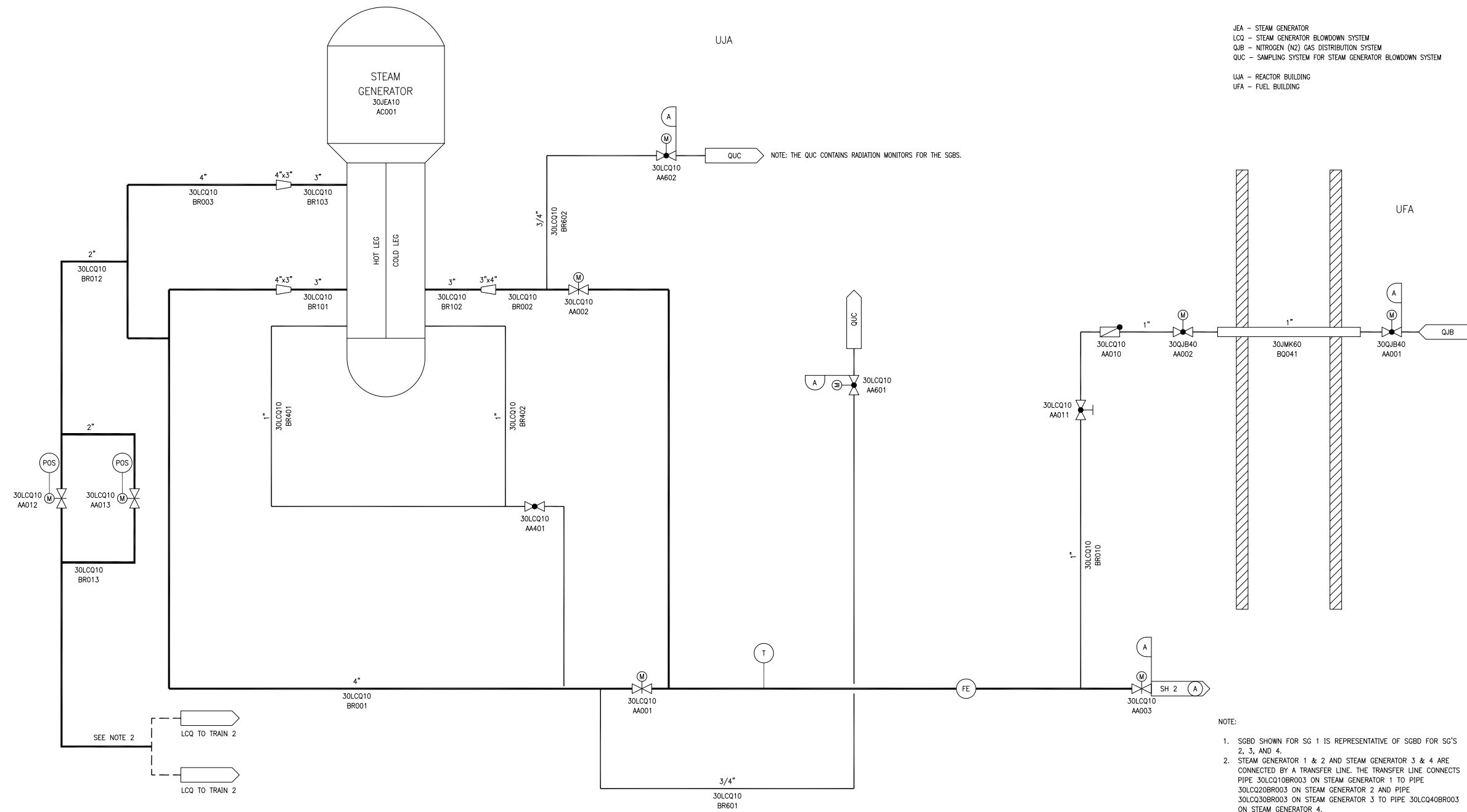


Figure 10.4.8-1—Steam Generator Blowdown System Discharge and Cooling
Sheet 1 of 3



- NOTE:
1. SGBD SHOWN FOR SG 1 IS REPRESENTATIVE OF SGBD FOR SG'S 2, 3, AND 4.
 2. STEAM GENERATOR 1 & 2 AND STEAM GENERATOR 3 & 4 ARE CONNECTED BY A TRANSFER LINE. THE TRANSFER LINE CONNECTS PIPE 30LCQ10BR003 ON STEAM GENERATOR 1 TO PIPE 30LCQ20BR003 ON STEAM GENERATOR 2 AND PIPE 30LCQ30BR003 ON STEAM GENERATOR 3 TO PIPE 30LCQ40BR003 ON STEAM GENERATOR 4.

A	B	I
DESIGN AREA	SSC QUALITY GROUP	SSC SEISMIC CLASS

REV 005
LCQ01T2

Figure 10.4.8-1—Steam Generator Blowdown System Discharge and Cooling
Sheet 2 of 3

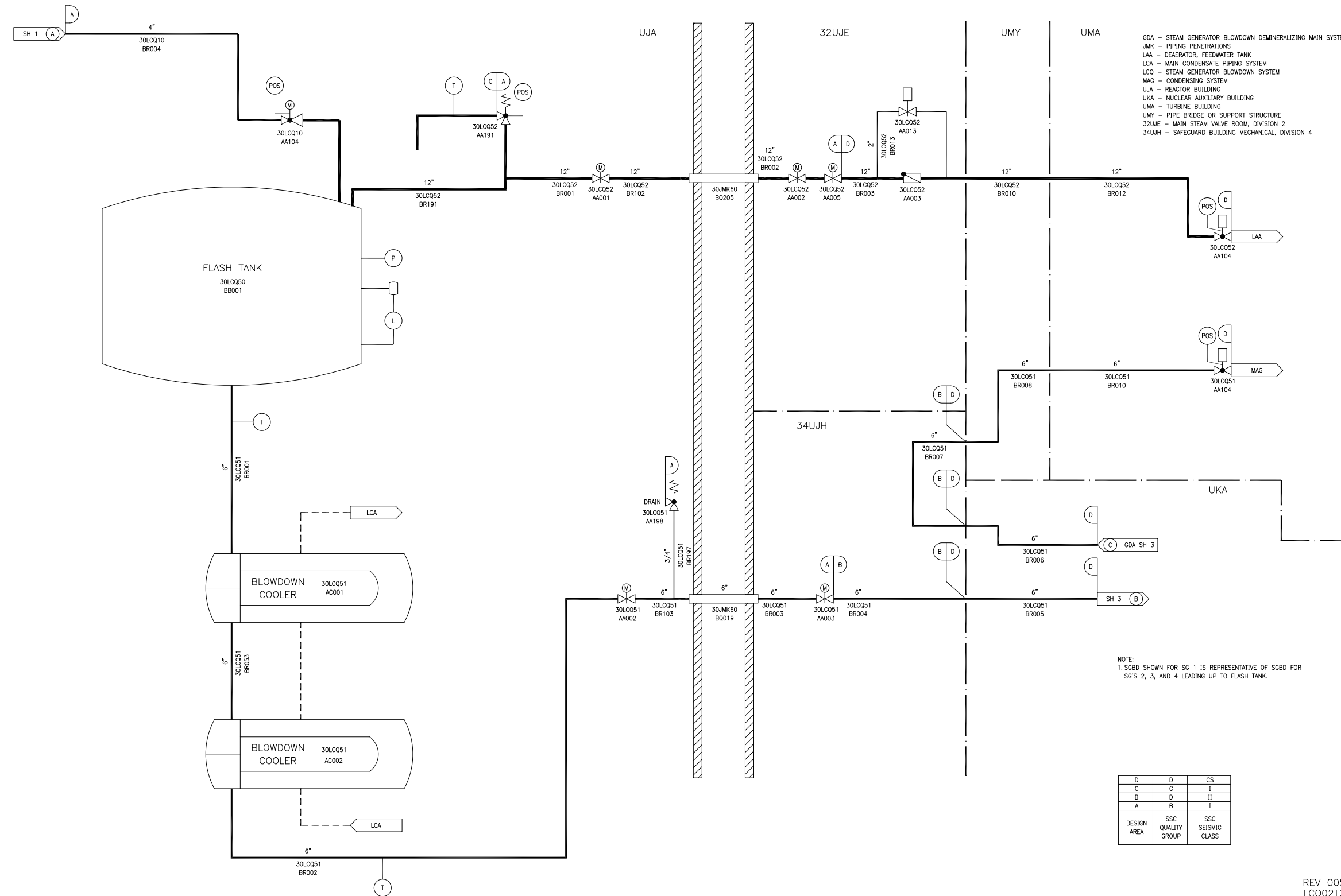


Figure 10.4.8-1—Steam Generator Blowdown System Discharge and Cooling
Sheet 3 of 3

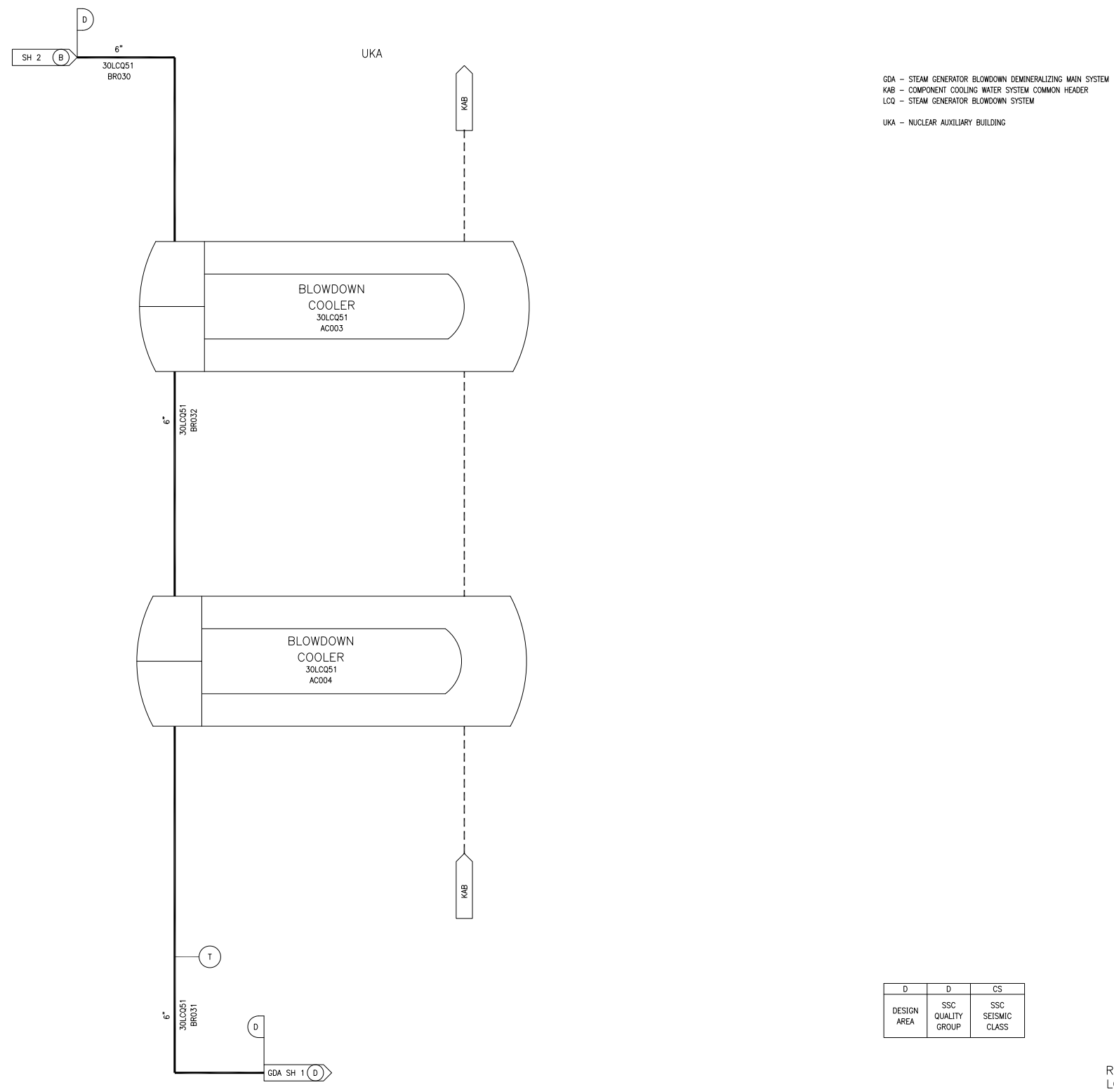
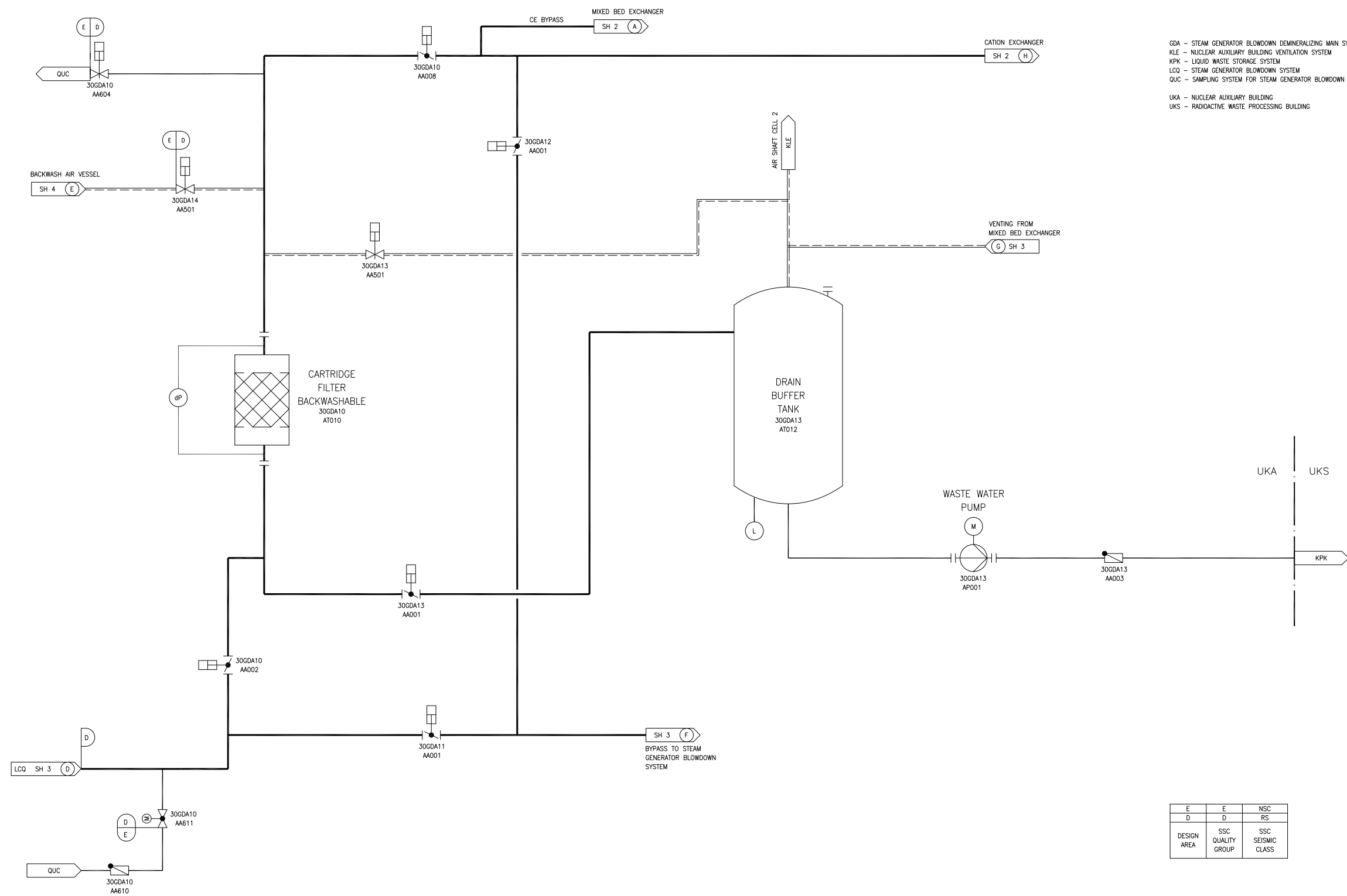
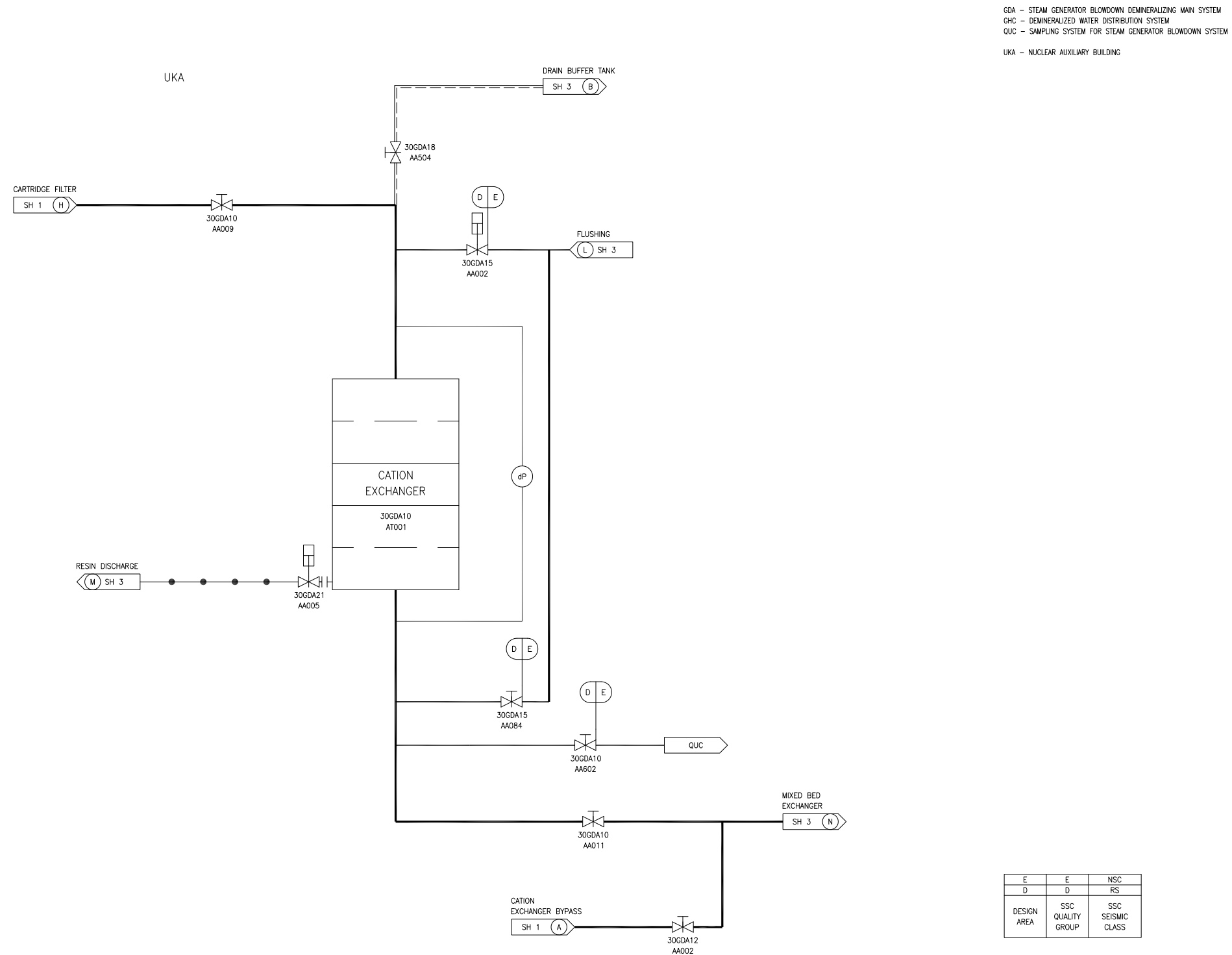


Figure 10.4.8-2—Steam Generator Blowdown Demineralizing System Flow Diagram
Sheet 1 of 4



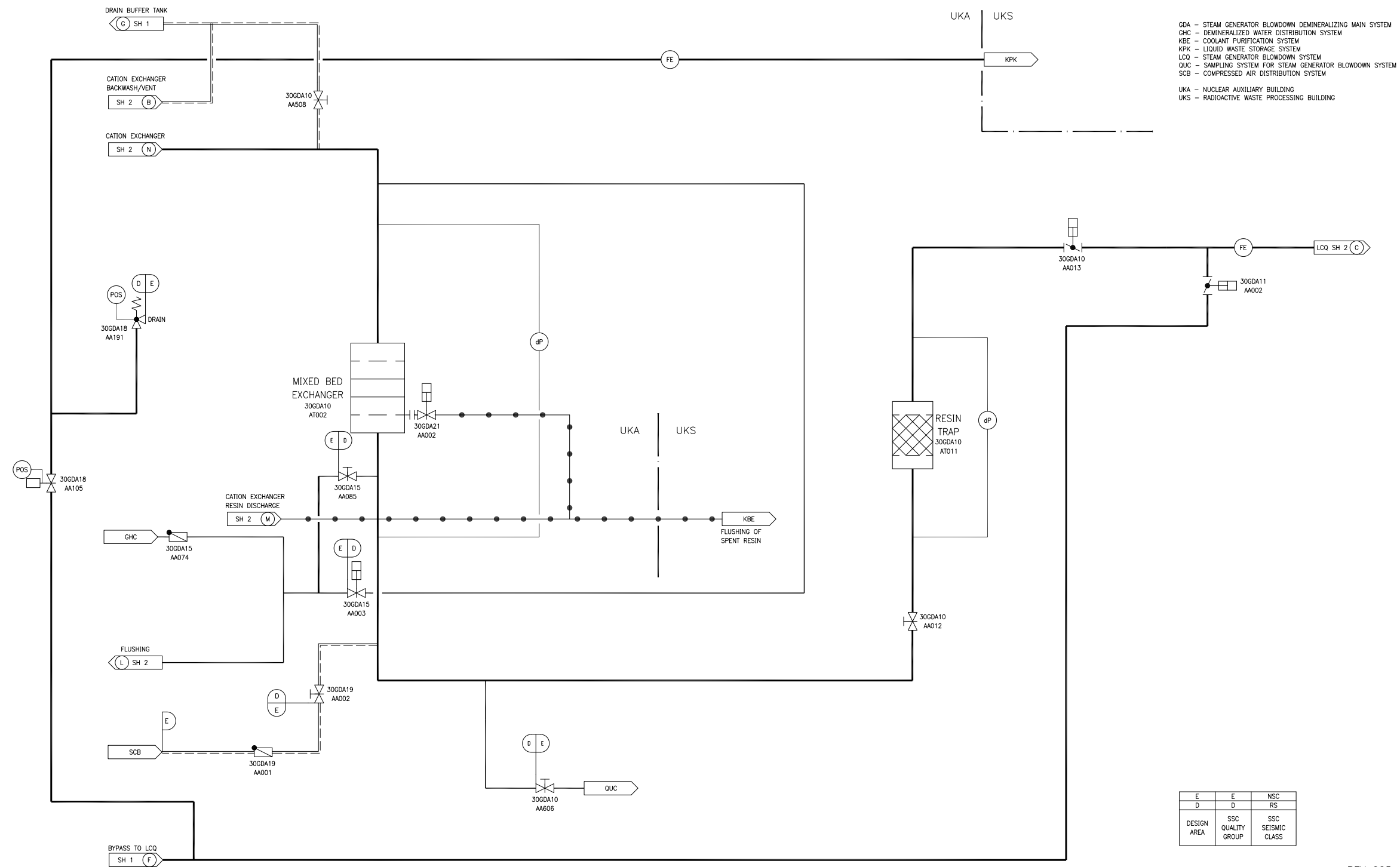
REV 005
GDA01T2

Figure 10.4.8-2—Steam Generator Blowdown Demineralizing System Flow Diagram
Sheet 2 of 4



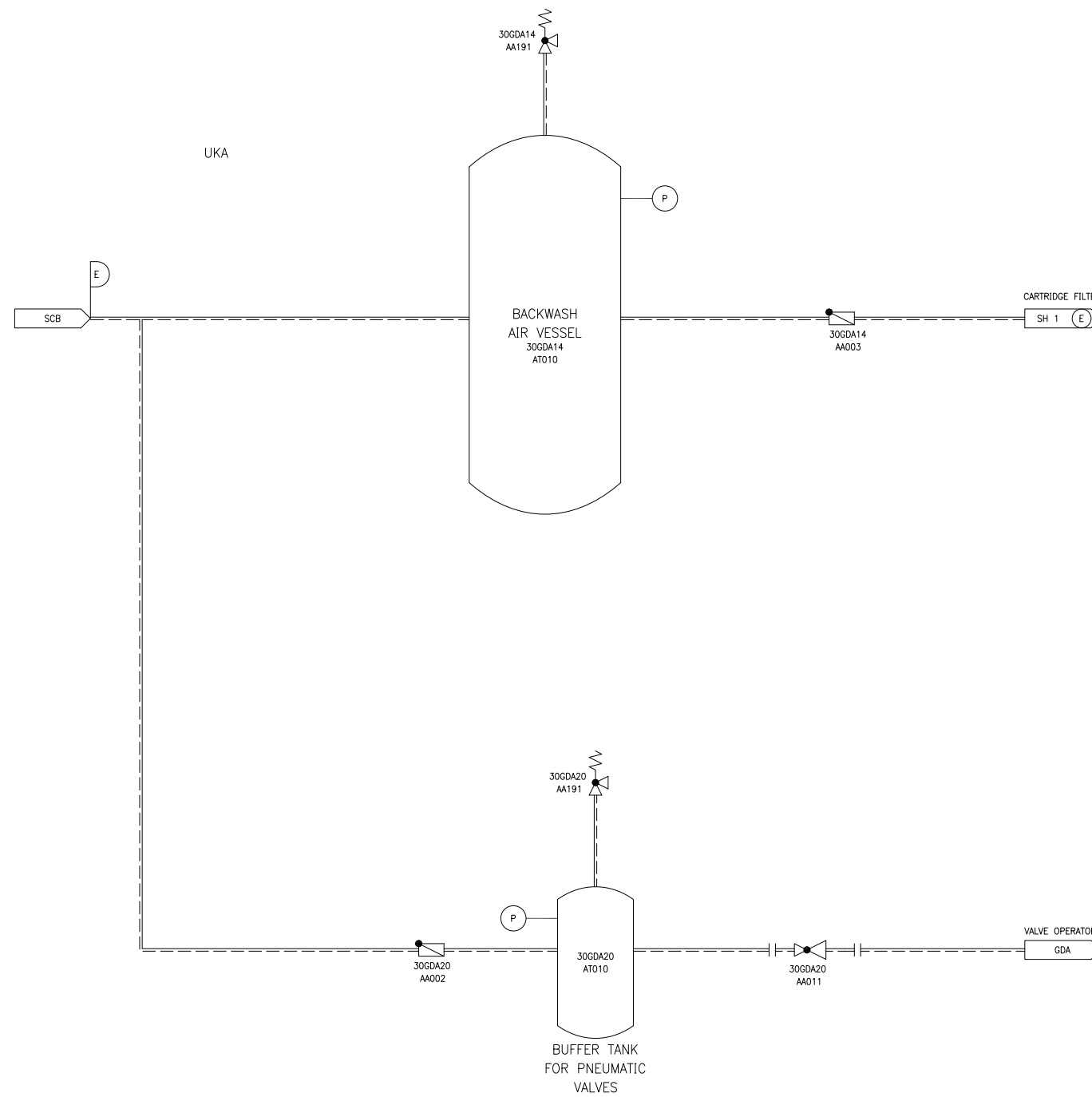
REV 005
GDA02T2

Figure 10.4.8-2—Steam Generator Blowdown Demineralizing System Flow Diagram
Sheet 3 of 4



REV 005
GDA03T2

Figure 10.4.8-2—Steam Generator Blowdown Demineralizing System Flow Diagram
Sheet 4 of 4



GDA - STEAM GENERATOR BLOWDOWN DEMINERALIZING MAIN SYSTEM
SCB - COMPRESSED AIR DISTRIBUTION SYSTEM
UKA - NUCLEAR AUXILIARY BUILDING

E	E	NSC
DESIGN AREA	SSC QUALITY GROUP	SSC SEISMIC CLASS

REV 005
GDA04T2