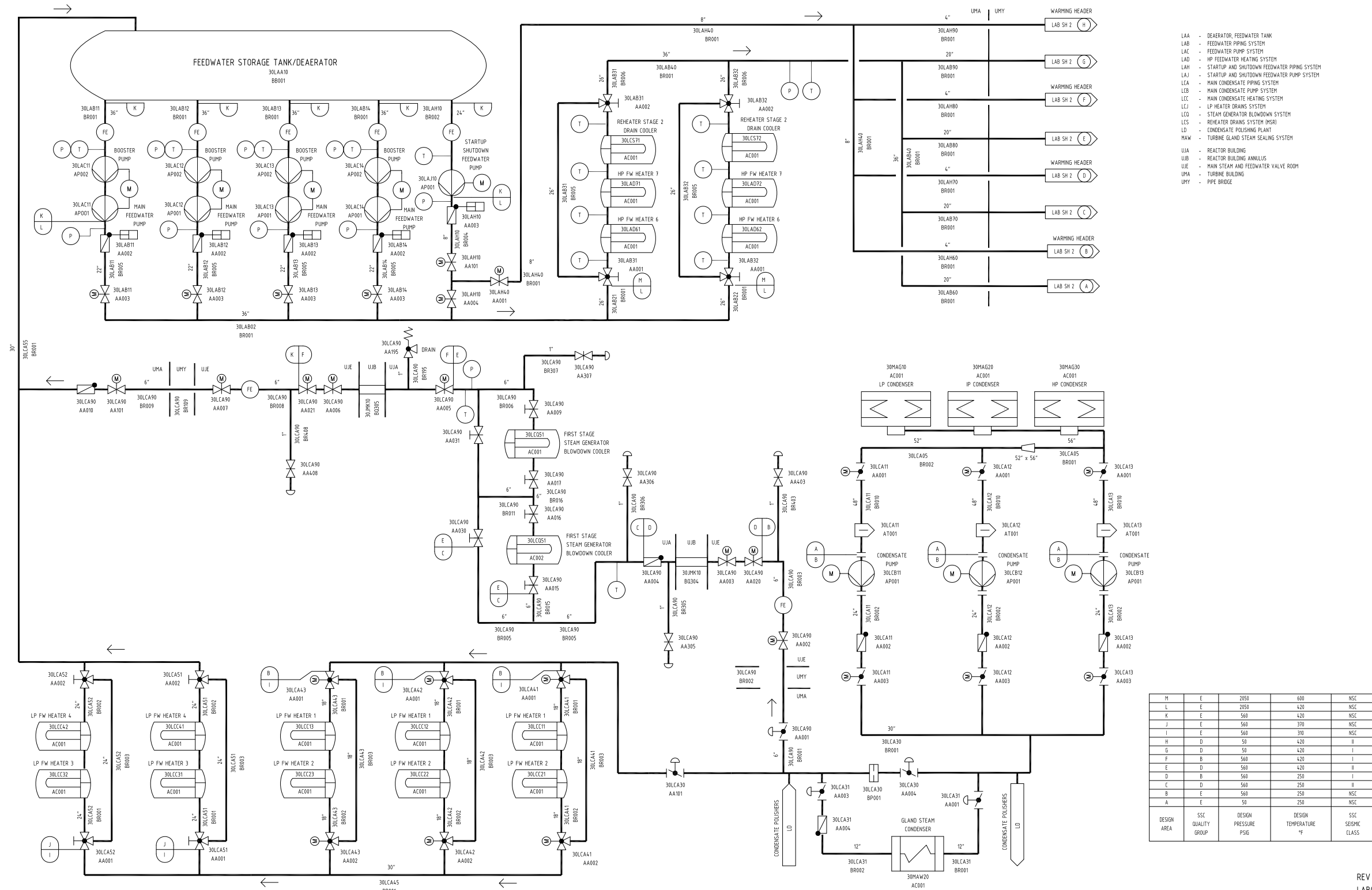
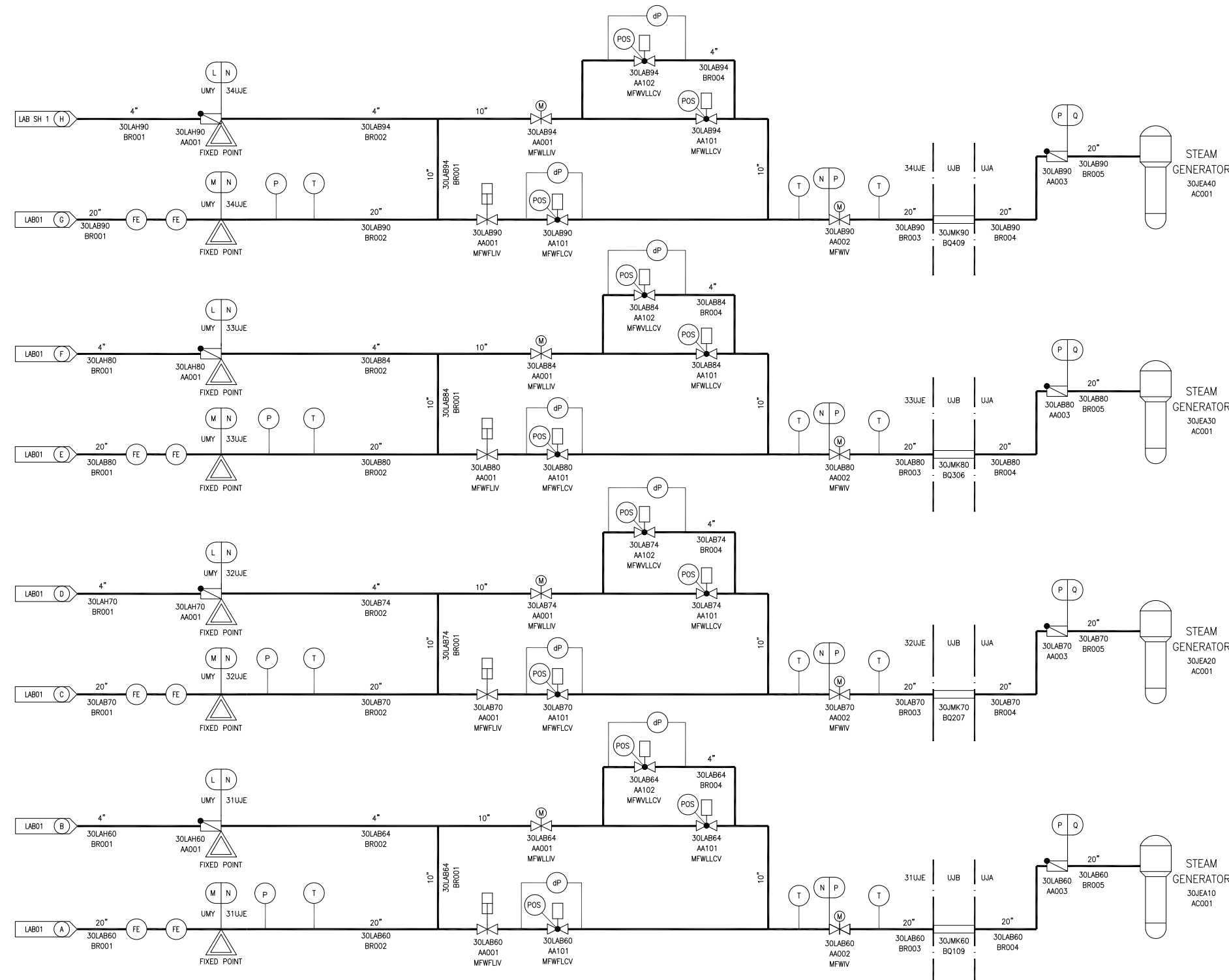


Figure 10.4.7-1—Condensate and Feedwater System
Sheet 1 of 2



REV 005
LAB0172

Figure 10.4.7-2—Feedwater Full Load Isolation Valve Hydraulic Actuators
Sheet 2 of 2



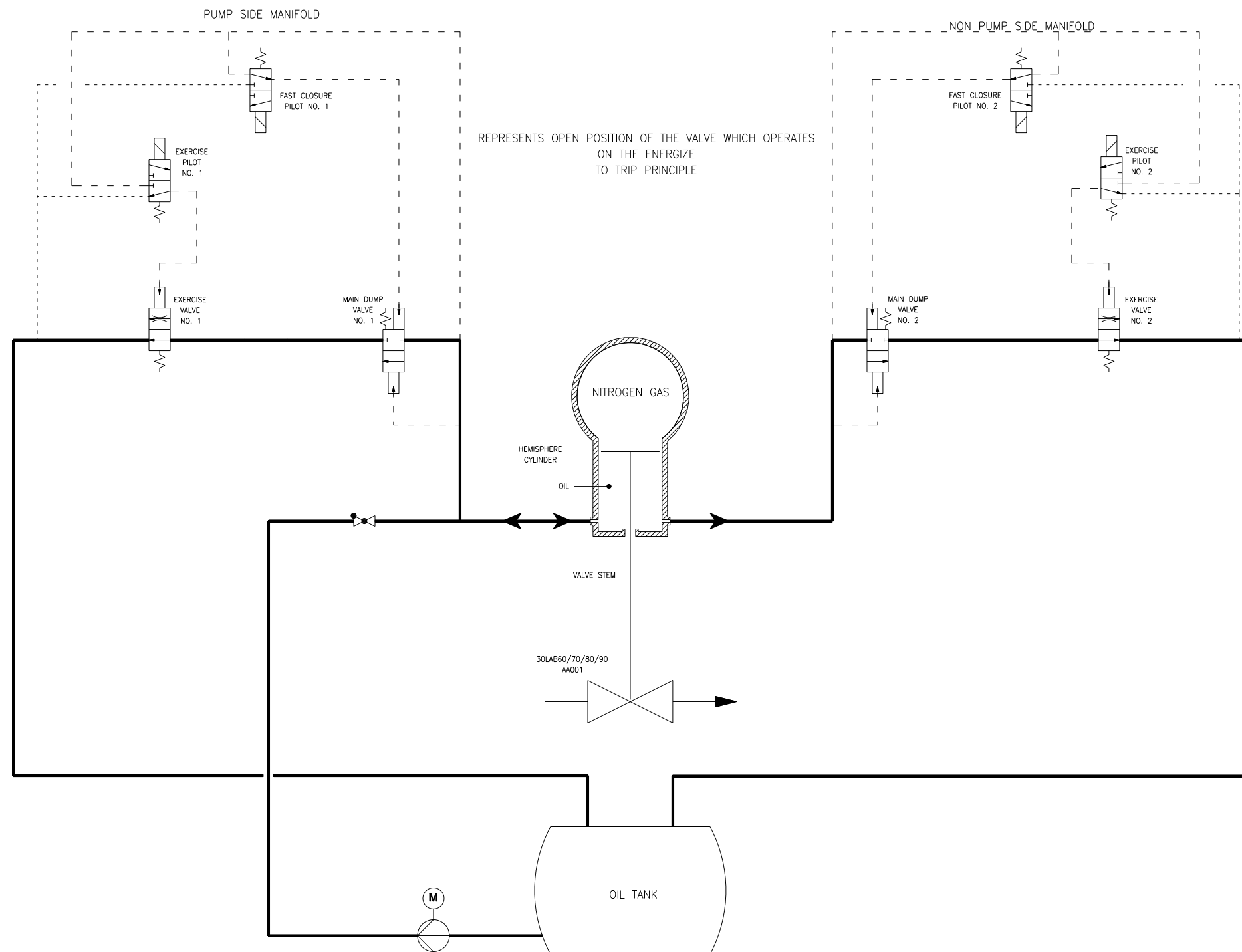
JEA - STEAM GENERATOR
 LAB - FEEDWATER PIPING SYSTEM
 LAH - STARTUP AND SHUTDOWN FEEDWATER PIPING SYSTEM
 UJA - REACTOR BUILDING
 UJB - REACTOR BUILDING ANNULUS
 31UJE - MAIN STEAM AND FEEDWATER VALVE ROOM, DIVISION 1
 32UJE - MAIN STEAM AND FEEDWATER VALVE ROOM, DIVISION 2
 33UJE - MAIN STEAM AND FEEDWATER VALVE ROOM, DIVISION 3
 34UJE - MAIN STEAM AND FEEDWATER VALVE ROOM, DIVISION 4
 UMY - PIPE BRIDGE

MFWFLCV - MAIN FEEDWATER FULL LOAD CONTROL VALVE
 MFWFLV - MAIN FEEDWATER FULL LOAD ISOLATION VALVE
 MFWLLCV - MAIN FEEDWATER LOW LOAD CONTROL VALVE
 MFWLLV - MAIN FEEDWATER LOW LOAD ISOLATION VALVE
 MFWLVCV - MAIN FEEDWATER VERY LOW LOAD CONTROL VALVE
 MFWV - MAIN FEEDWATER ISOLATION VALVE

Q	B	1435	600	I
P	B	2050	600	I
N	C	2050	600	I
M	E	2050	600	NSC
L	E	2050	420	NSC
DESIGN AREA	SSC QUALITY GROUP	DESIGN PRESSURE PSIG	DESIGN TEMPERATURE °F	SSC SEISMIC CLASS

REV 003
LAB02T2

Figure 10.4.7-2—Feedwater Full Load Isolation Valve Hydraulic Actuators



LAB001 T2