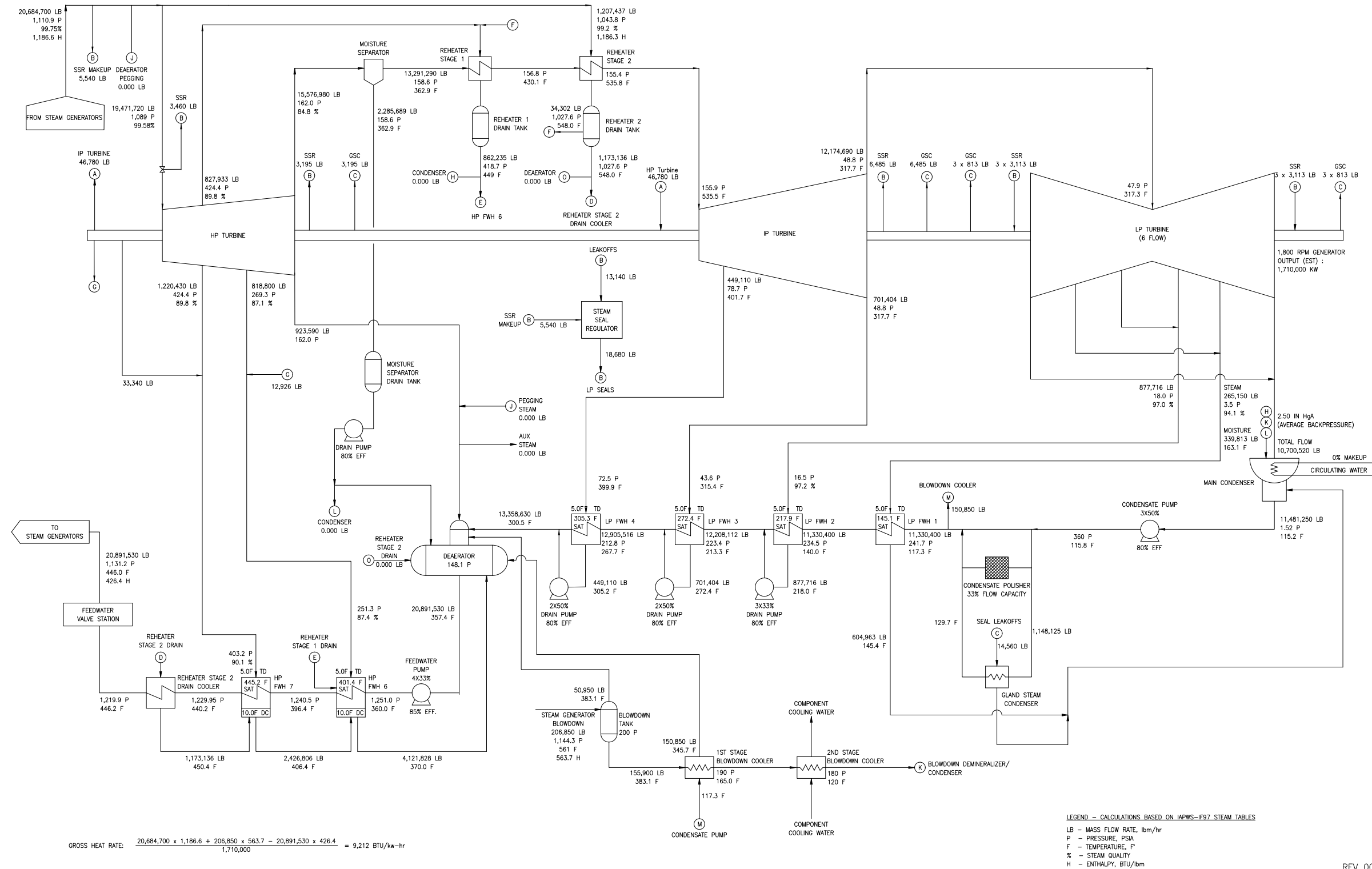
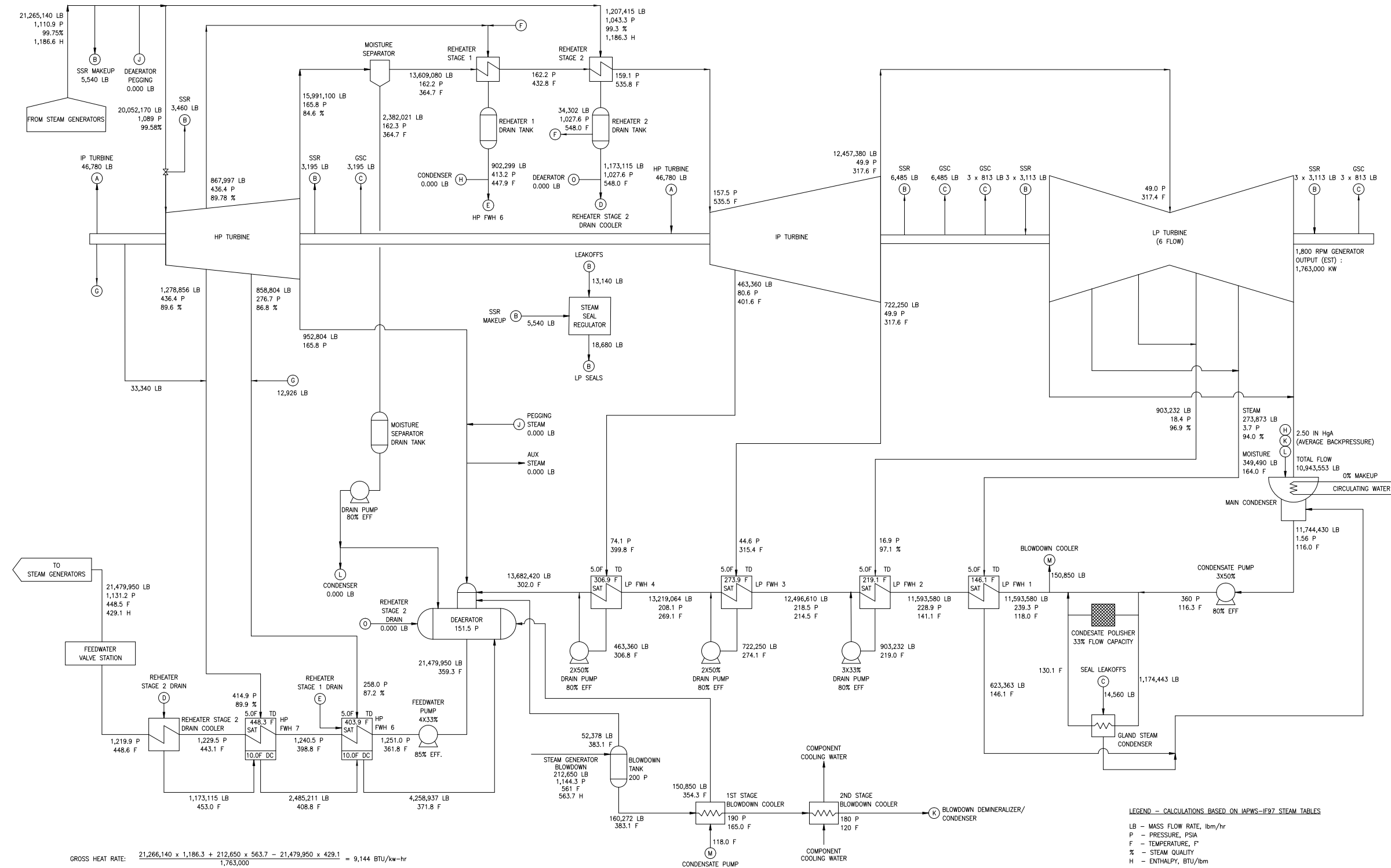


Figure 10.1-1—Design Heat Balance for Steam and Power Conversion System Cycle



REV 002
 MAH01 T2

Figure 10.1-2—Valves Wide Open Heat Balance for Steam and Power Conversion System Cycle



GROSS HEAT RATE: $\frac{21,266,140 \times 1,186.3 + 212,650 \times 563.7 - 21,479,950 \times 429.1}{1,763,000} = 9,144 \text{ BTU/kw-hr}$

LEGEND - CALCULATIONS BASED ON IAPWS-IF97 STEAM TABLES
 LB - MASS FLOW RATE, lbm/hr
 P - PRESSURE, PSIA
 F - TEMPERATURE, F
 % - STEAM QUALITY
 H - ENTHALPY, BTU/lbm

REV 002
 MAH02 T2