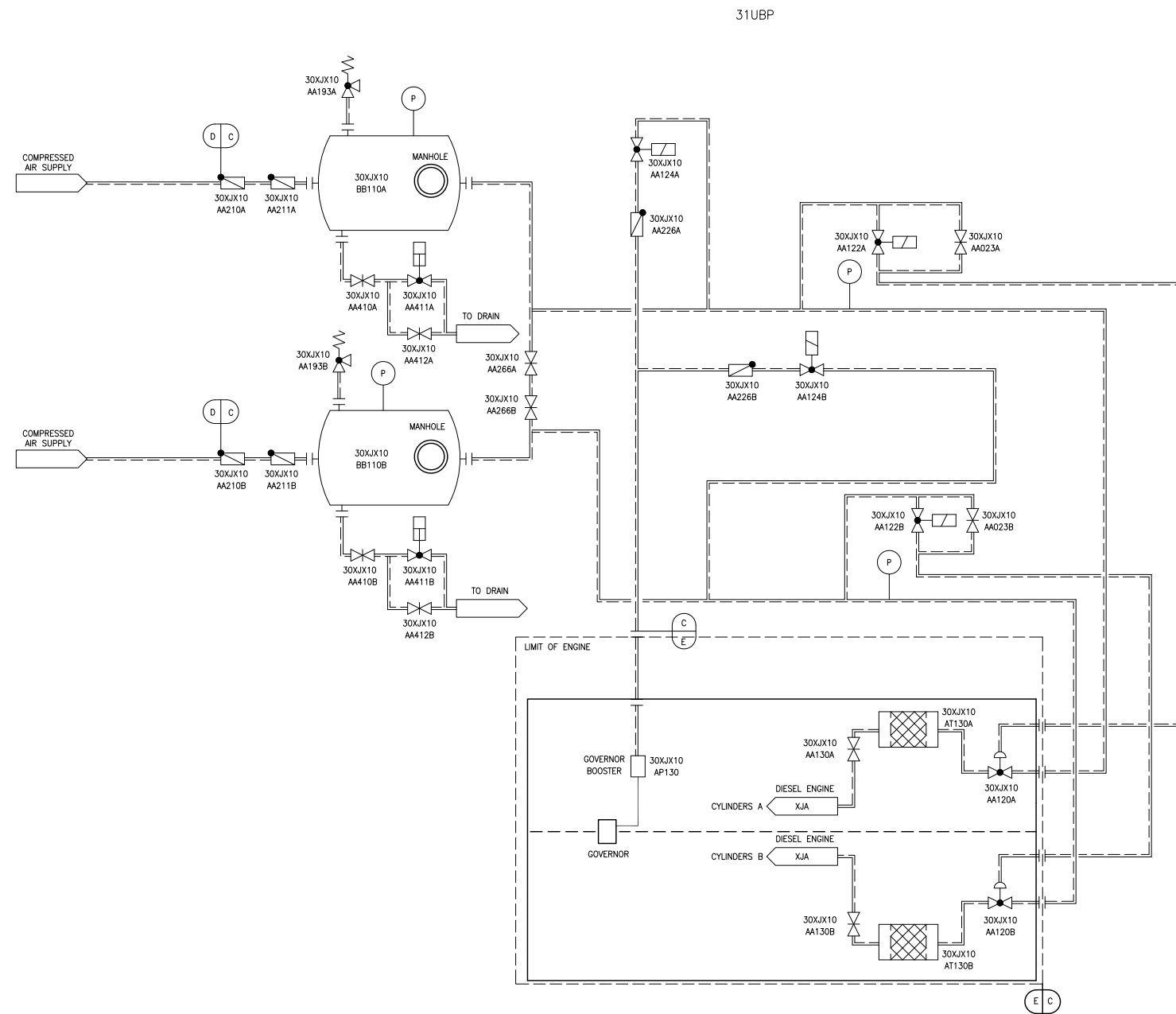


Figure 9.5.6-1—Emergency Diesel Generator Starting Air System



XJA - ENGINE  
 XJX - EMERGENCY DIESEL STARTING AIR SYSTEM  
 31UBP - EMERGENCY POWER GENERATING BUILDING

NOTE:  
 1. DIVISION 1 SHOWN IS REPRESENTATIVE OF DIVISIONS 2, 3 AND 4 WITH EXCEPTIONS NOTED.

|             |                   |                   |
|-------------|-------------------|-------------------|
| E           | N/A               | I                 |
| D           | D                 | II                |
| C           | C                 | I                 |
| DESIGN AREA | SSC QUALITY GROUP | SSC SEISMIC CLASS |

REV 003  
 XJX01T2