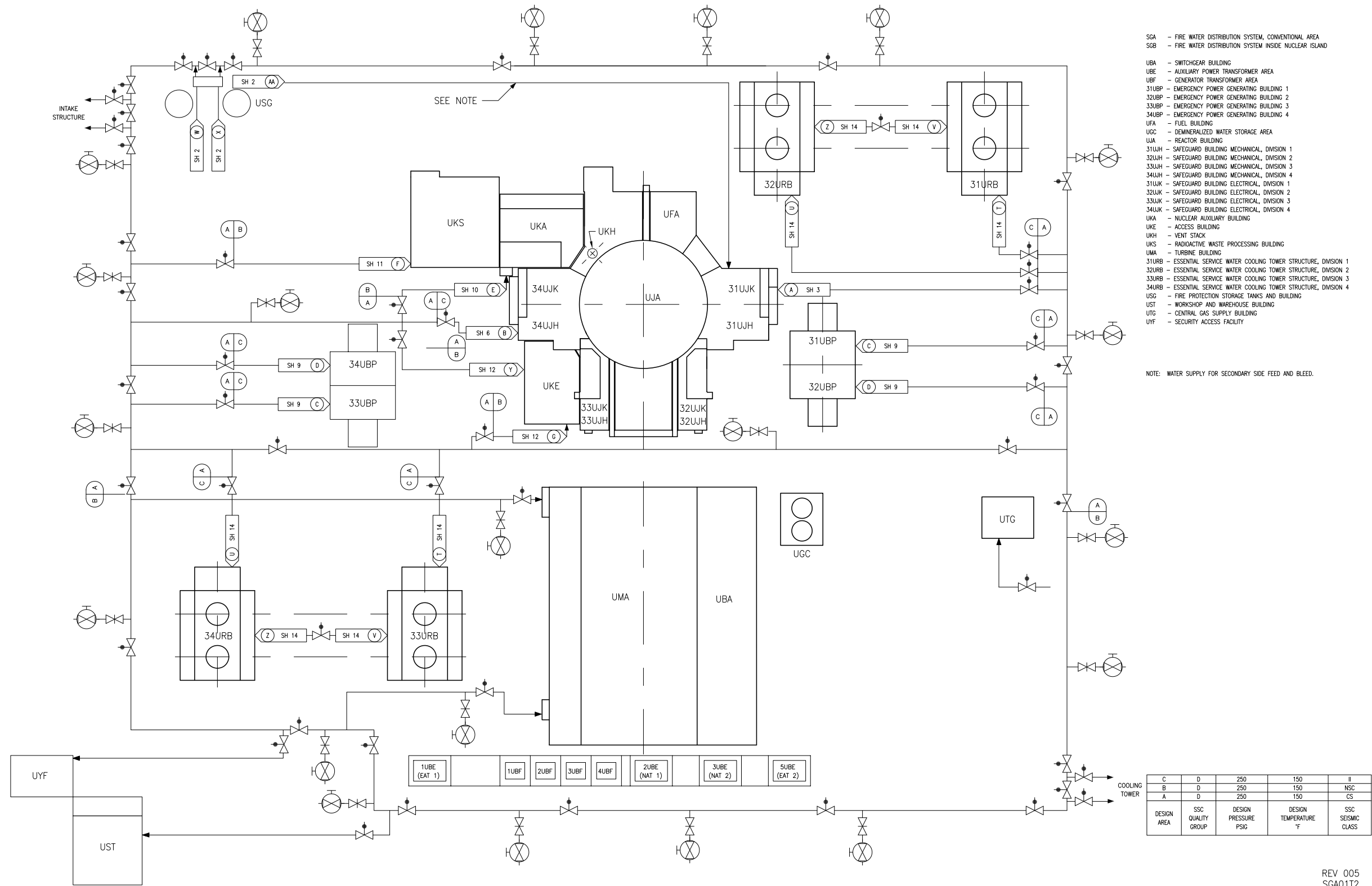


Figure 9.5.1-1—Fire Water Distribution System  
Sheet 1 of 14



REV 005  
SGA01T2

Figure 9.5.1-1—Fire Water Distribution System  
Sheet 2 of 14

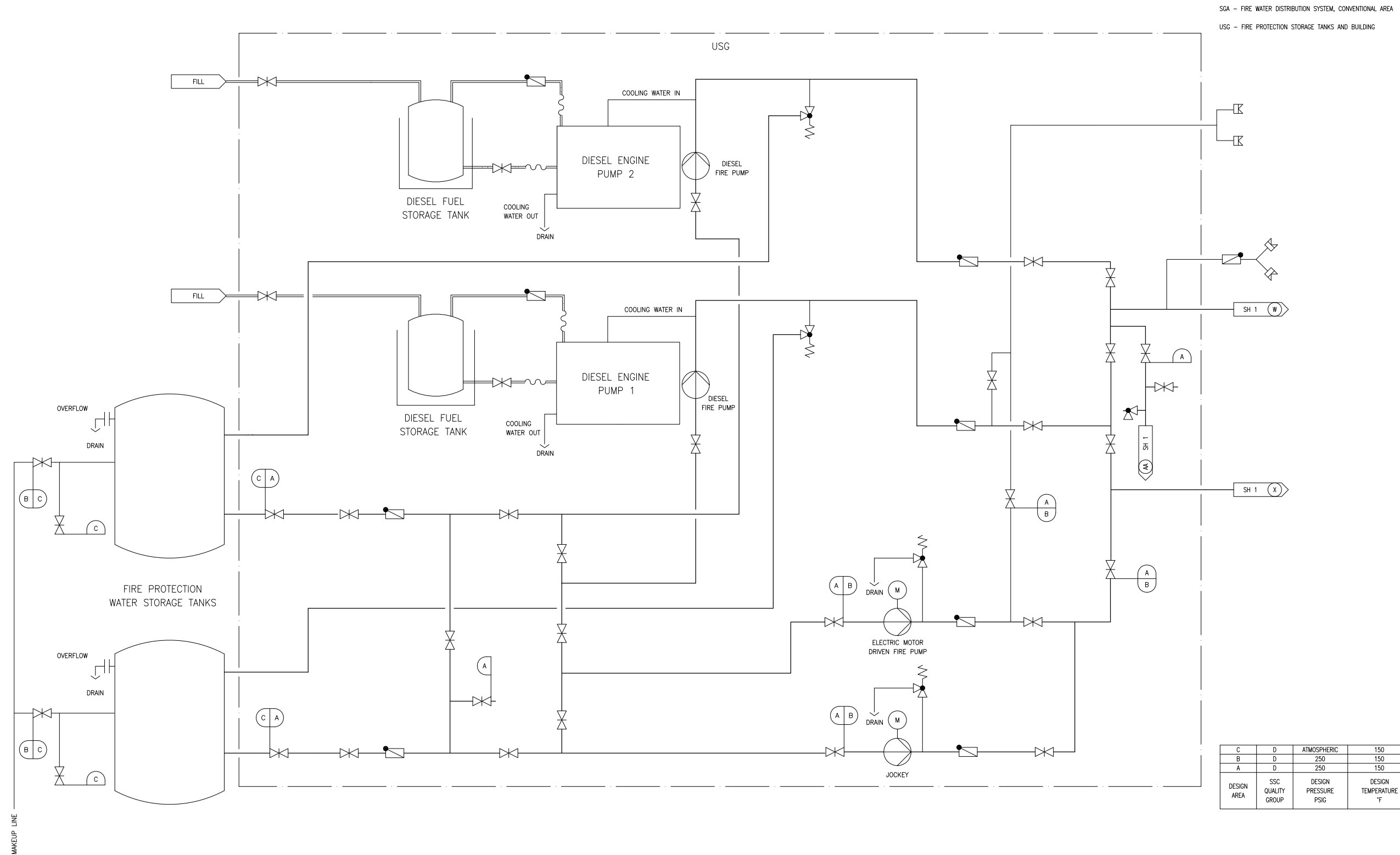
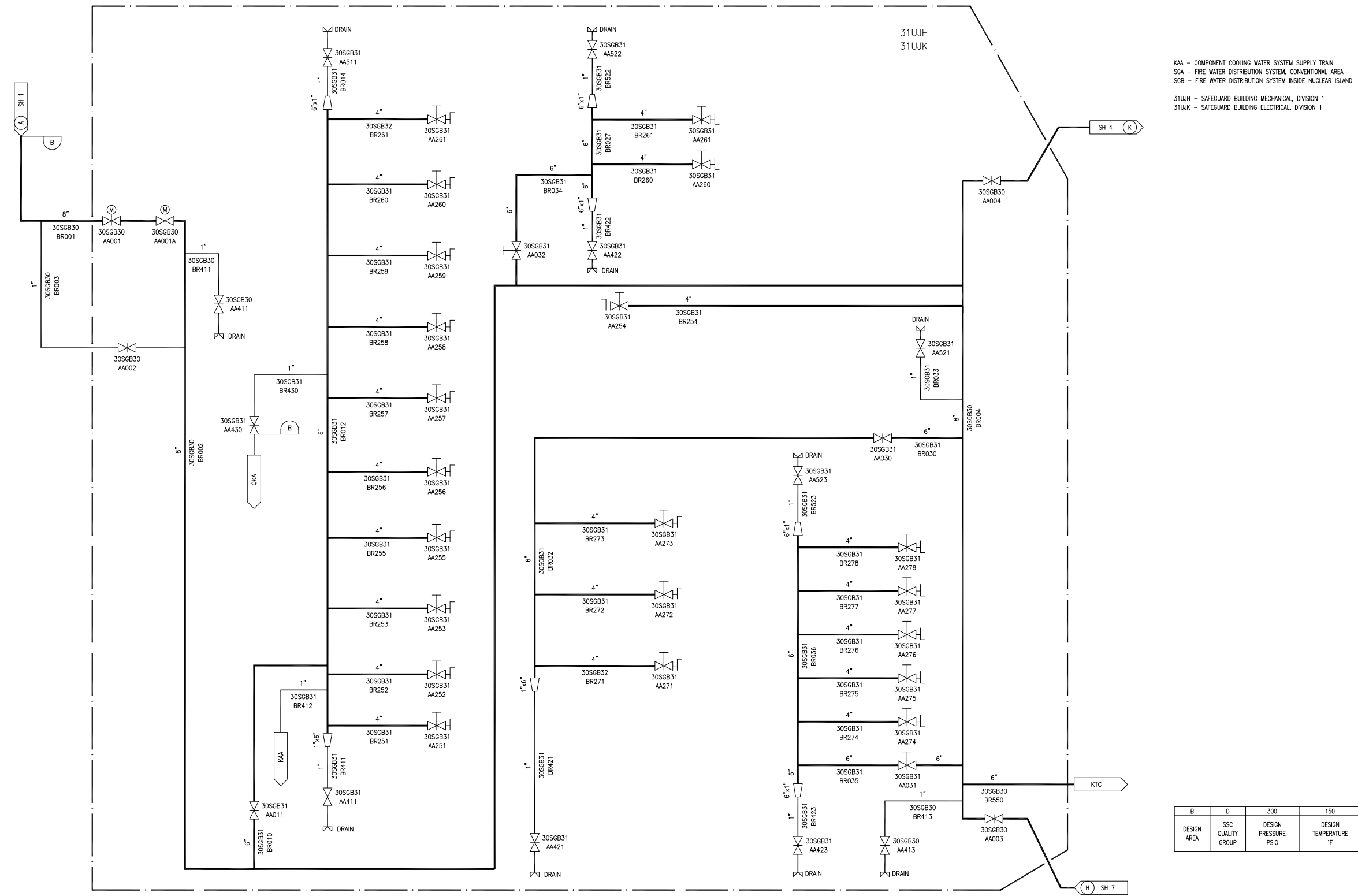


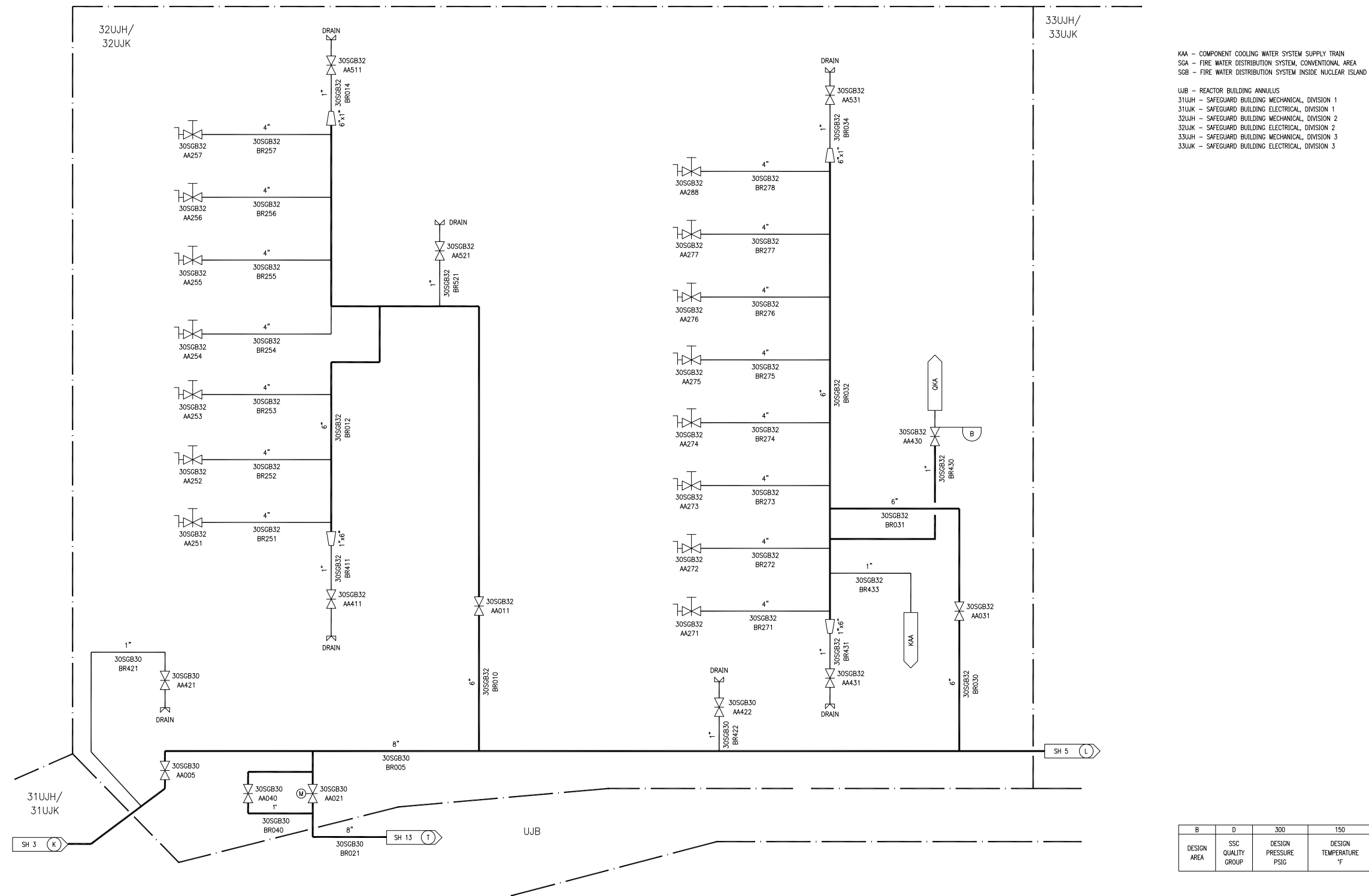
Figure 9.5.1-1—Fire Water Distribution System  
Sheet 3 of 14



B	D	300	150	II
DESIGN AREA	SSC QUALITY GROUP	DESIGN PRESSURE PSIG	DESIGN TEMPERATURE °F	SSC SEISMIC CLASS

REV 005  
SGB01T2

Figure 9.5.1-1—Fire Water Distribution System  
Sheet 4 of 14



KAA - COMPONENT COOLING WATER SYSTEM SUPPLY TRAIN  
 SGA - FIRE WATER DISTRIBUTION SYSTEM, CONVENTIONAL AREA  
 SGB - FIRE WATER DISTRIBUTION SYSTEM INSIDE NUCLEAR ISLAND

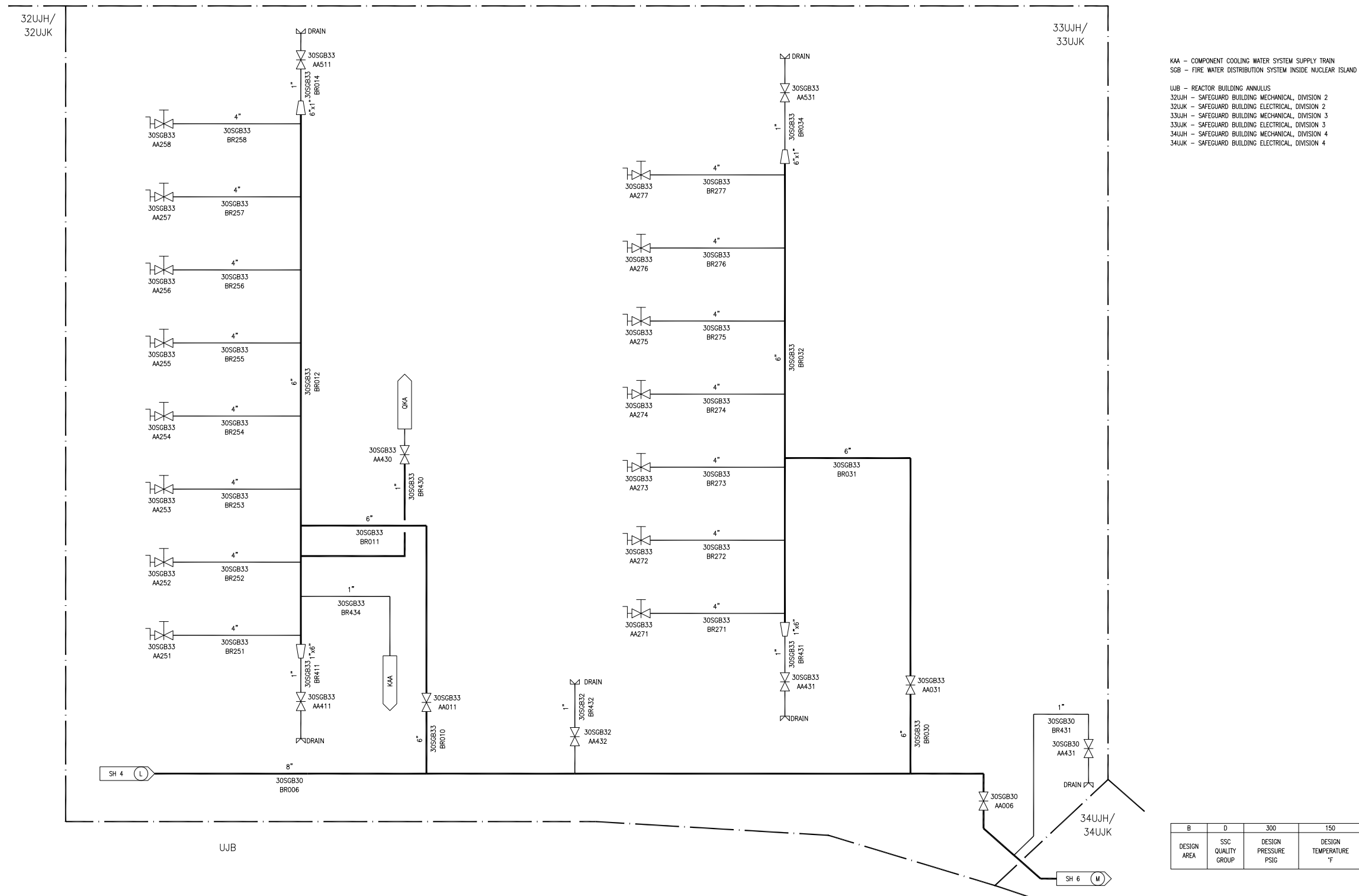
UJB - REACTOR BUILDING ANNULUS

31UJH - SAFEGUARD BUILDING MECHANICAL, DIVISION 1  
 31UJK - SAFEGUARD BUILDING ELECTRICAL, DIVISION 1  
 32UJH - SAFEGUARD BUILDING MECHANICAL, DIVISION 2  
 32UJK - SAFEGUARD BUILDING ELECTRICAL, DIVISION 2  
 33UJH - SAFEGUARD BUILDING MECHANICAL, DIVISION 3  
 33UJK - SAFEGUARD BUILDING ELECTRICAL, DIVISION 3

B	D	300	150	II
DESIGN AREA	SSC QUALITY GROUP	DESIGN PRESSURE PSIG	DESIGN TEMPERATURE °F	SSC SEISMIC CLASS

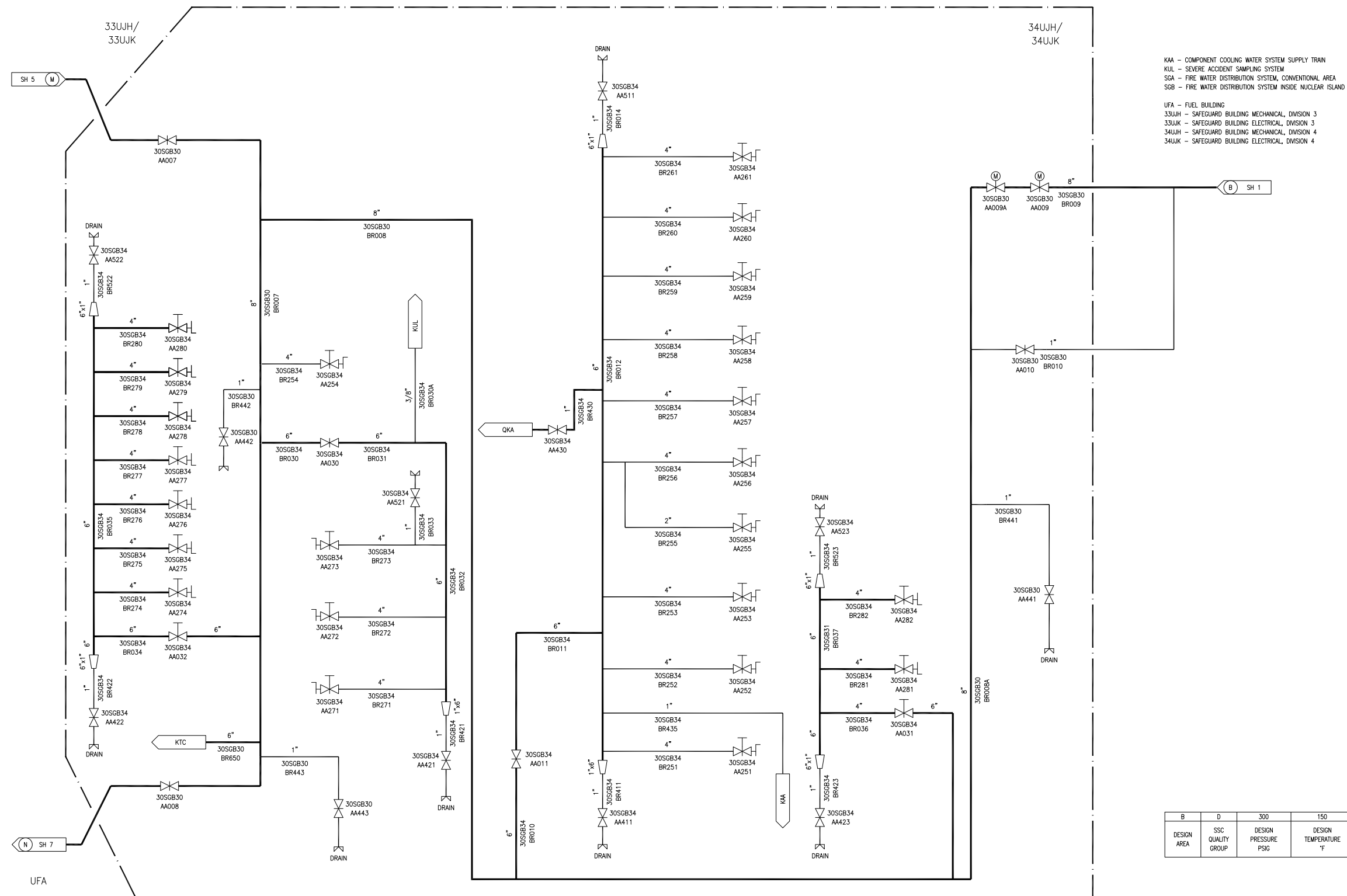
REV 005  
SGB02T2

Figure 9.5.1-1—Fire Water Distribution System  
Sheet 5 of 14



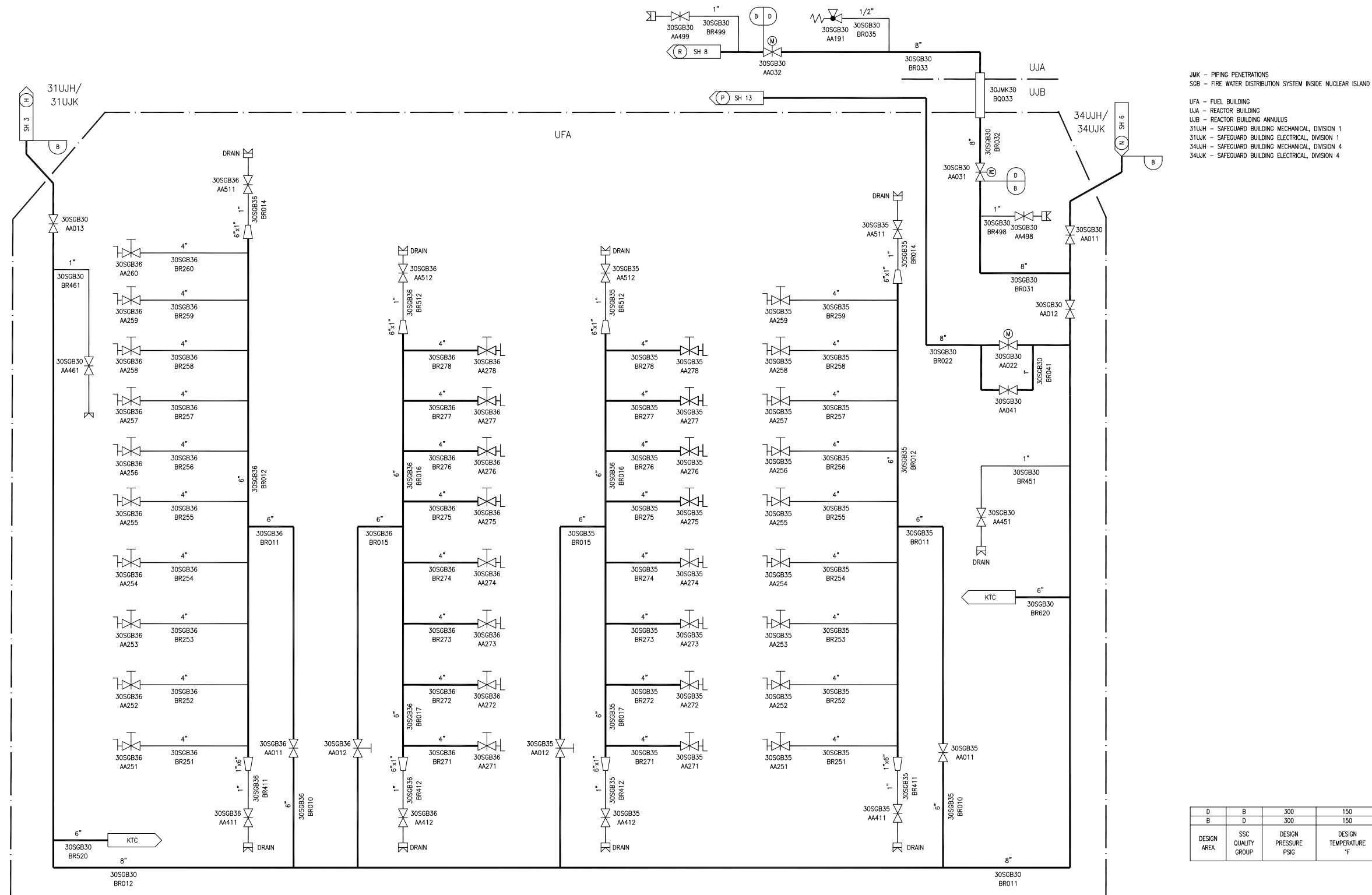
REV 005  
SGB03T2

Figure 9.5.1-1—Fire Water Distribution System  
Sheet 6 of 14



REV 005  
SGB04T2

Figure 9.5.1-1—Fire Water Distribution System  
Sheet 7 of 14

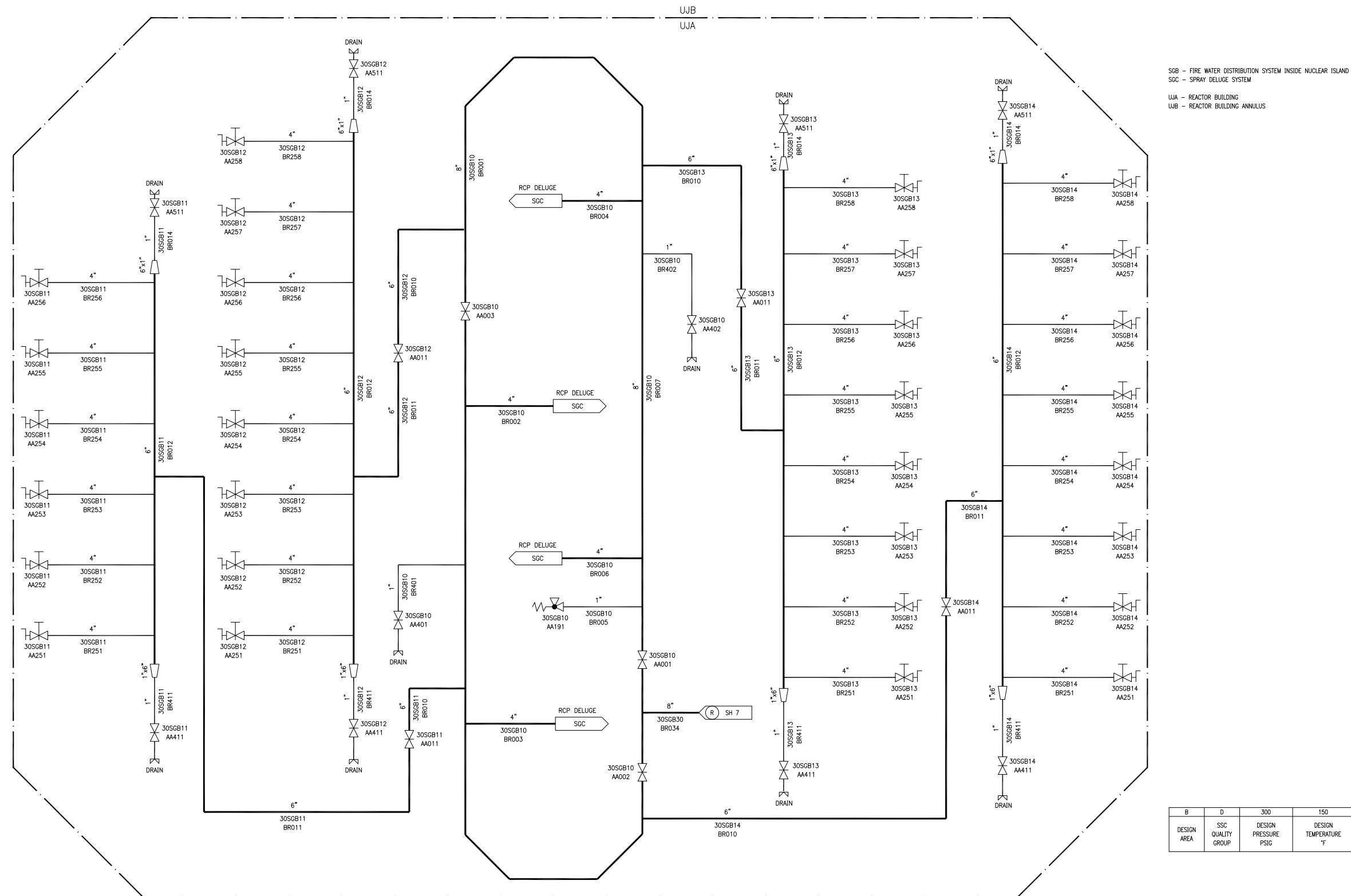


JMK - PIPING PENETRATIONS  
 SGB - FIRE WATER DISTRIBUTION SYSTEM INSIDE NUCLEAR ISLAND  
 UFA - FUEL BUILDING  
 UJA - REACTOR BUILDING  
 UJB - REACTOR BUILDING ANNULUS  
 31UJH - SAFEGUARD BUILDING MECHANICAL, DIVISION 1  
 31UJK - SAFEGUARD BUILDING ELECTRICAL, DIVISION 1  
 34UJH - SAFEGUARD BUILDING MECHANICAL, DIVISION 4  
 34UJK - SAFEGUARD BUILDING ELECTRICAL, DIVISION 4

D	B	300	150	I
B	D	300	150	II
DESIGN AREA	SSC QUALITY GROUP	DESIGN PRESSURE PSIG	DESIGN TEMPERATURE °F	SSC SEISMIC CLASS

REV 005  
SGB05T2

Figure 9.5.1-1—Fire Water Distribution System  
Sheet 8 of 14



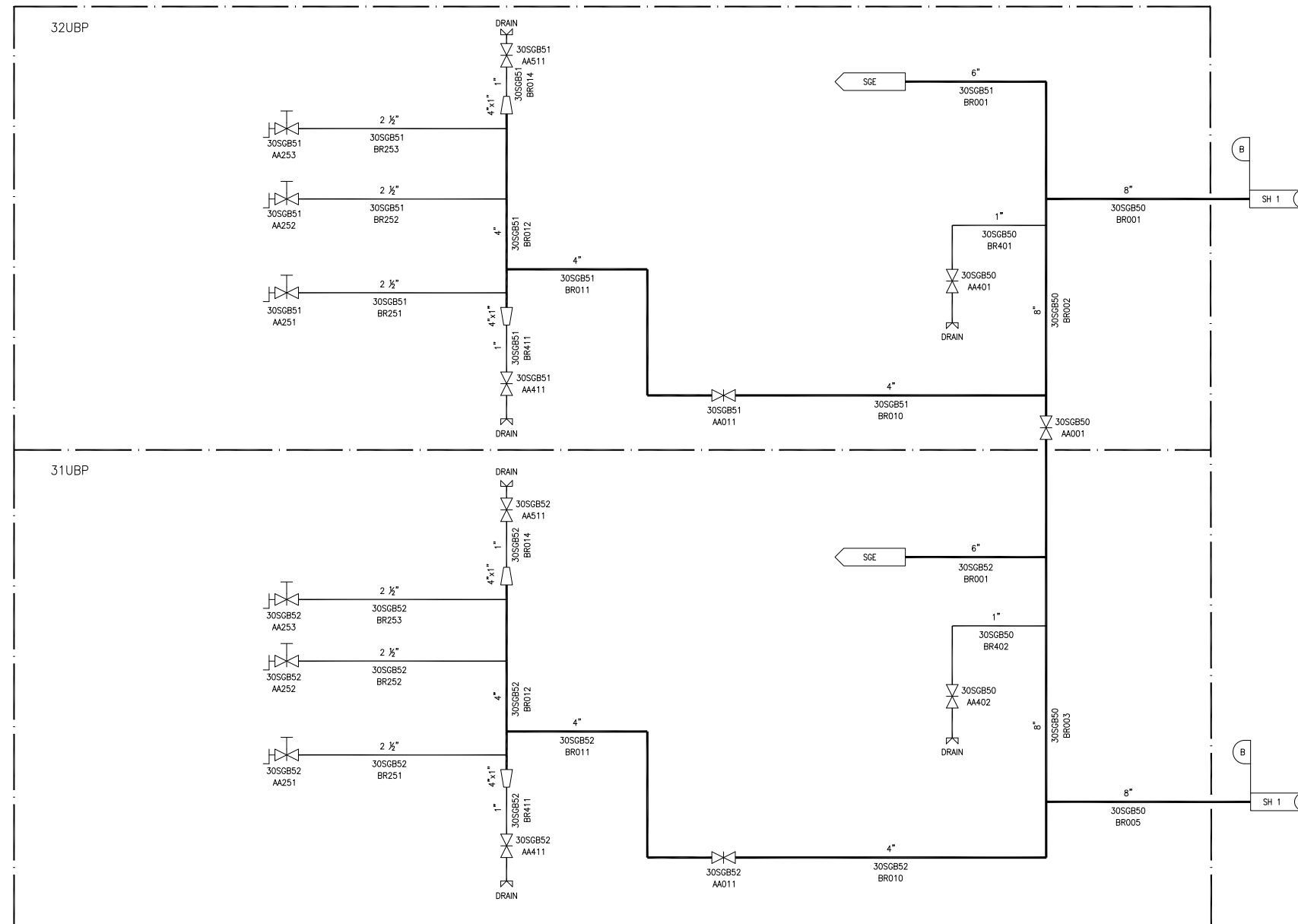
SGB - FIRE WATER DISTRIBUTION SYSTEM INSIDE NUCLEAR ISLAND  
 SGC - SPRAY DELUGE SYSTEM  
 UJA - REACTOR BUILDING ANNULUS  
 UJB - REACTOR BUILDING

B	D	300	150	II
DESIGN AREA	SSC QUALITY GROUP	DESIGN PRESSURE PSIG	DESIGN TEMPERATURE °F	SSC SEISMIC CLASS

REV 005  
SGB06T2



Figure 9.5.1-1—Fire Water Distribution System  
Sheet 9 of 14



SGA - FIRE WATER DISTRIBUTION SYSTEM, CONVENTIONAL AREA  
 SGB - FIRE WATER DISTRIBUTION SYSTEM INSIDE NUCLEAR ISLAND  
 SGE - SPRINKLER SYSTEMS

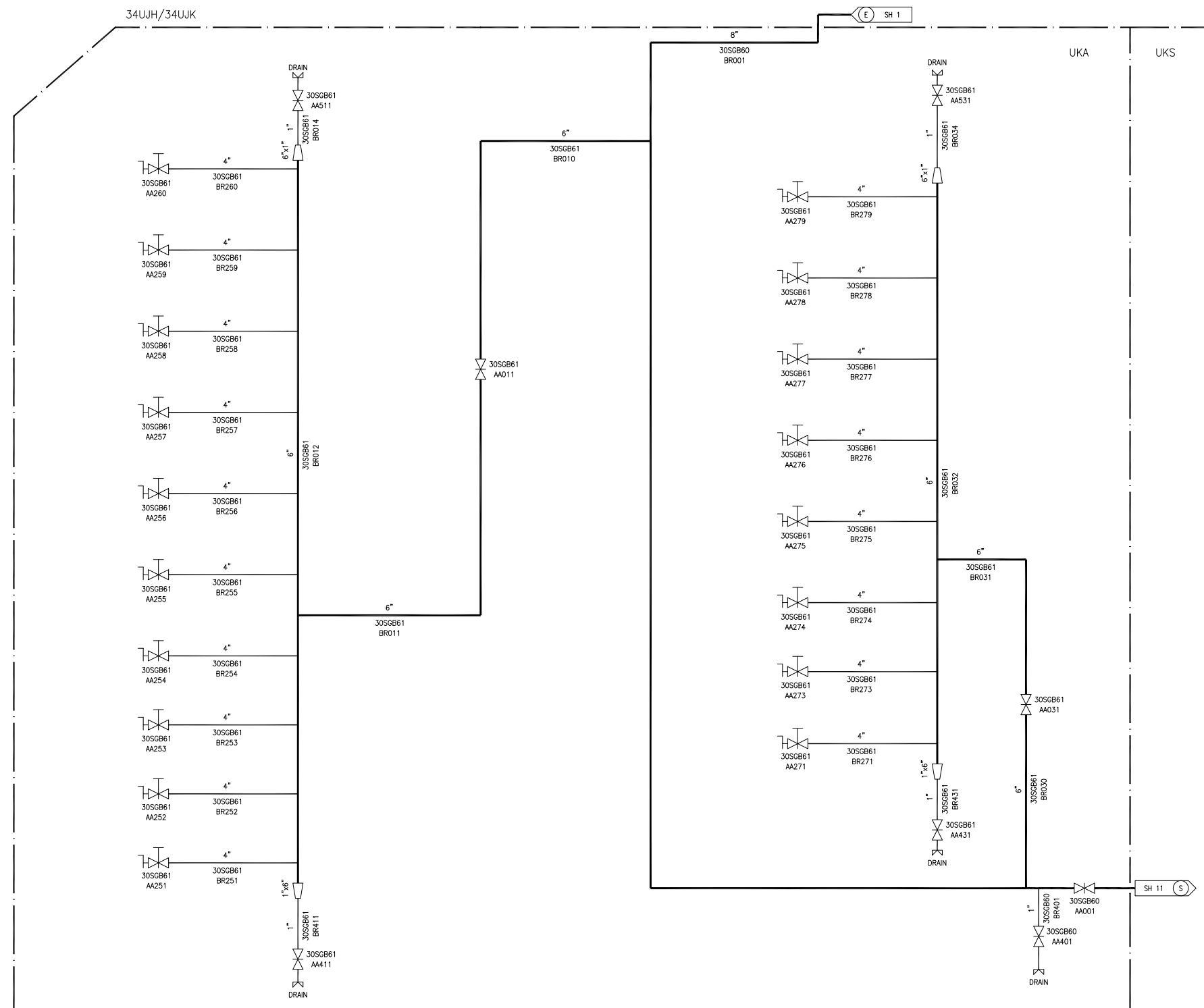
31UBP - EMERGENCY POWER GENERATING, DIVISION 1  
 32UBP - EMERGENCY POWER GENERATING, DIVISION 2  
 33UBP - EMERGENCY POWER GENERATING, DIVISION 3  
 34UBP - EMERGENCY POWER GENERATING, DIVISION 4

NOTE:  
 31UBP & 32UBP SHOWN. REPRESENTATIVE OF 33UBP & 34UBP.

DESIGN AREA	SSC QUALITY GROUP	300 DESIGN PRESSURE PSIG	150 DESIGN TEMPERATURE °F	II SSC SEISMIC CLASS
B	D	300	150	II

REV 005  
 SGB07T2

Figure 9.5.1-1—Fire Water Distribution System  
Sheet 10 of 14



SGA - FIRE WATER DISTRIBUTION SYSTEM, CONVENTIONAL AREA  
 SGB - FIRE WATER DISTRIBUTION SYSTEM INSIDE NUCLEAR ISLAND  
 34UJH - SAFEGUARD BUILDING MECHANICAL DIVISION 4  
 34UJK - SAFEGUARD BUILDING ELECTRICAL DIVISION 4  
 UKA - NUCLEAR AUXILIARY BUILDING  
 UKS - RADIOACTIVE WASTE PROCESSING BUILDING

DESIGN AREA	SSC QUALITY GROUP	DESIGN PRESSURE PSIG	DESIGN TEMPERATURE °F	SSC SEISMIC CLASS
H	D	300	150	NSC

REV 004  
SGB08T2

Figure 9.5.1-1—Fire Water Distribution System  
Sheet 11 of 14

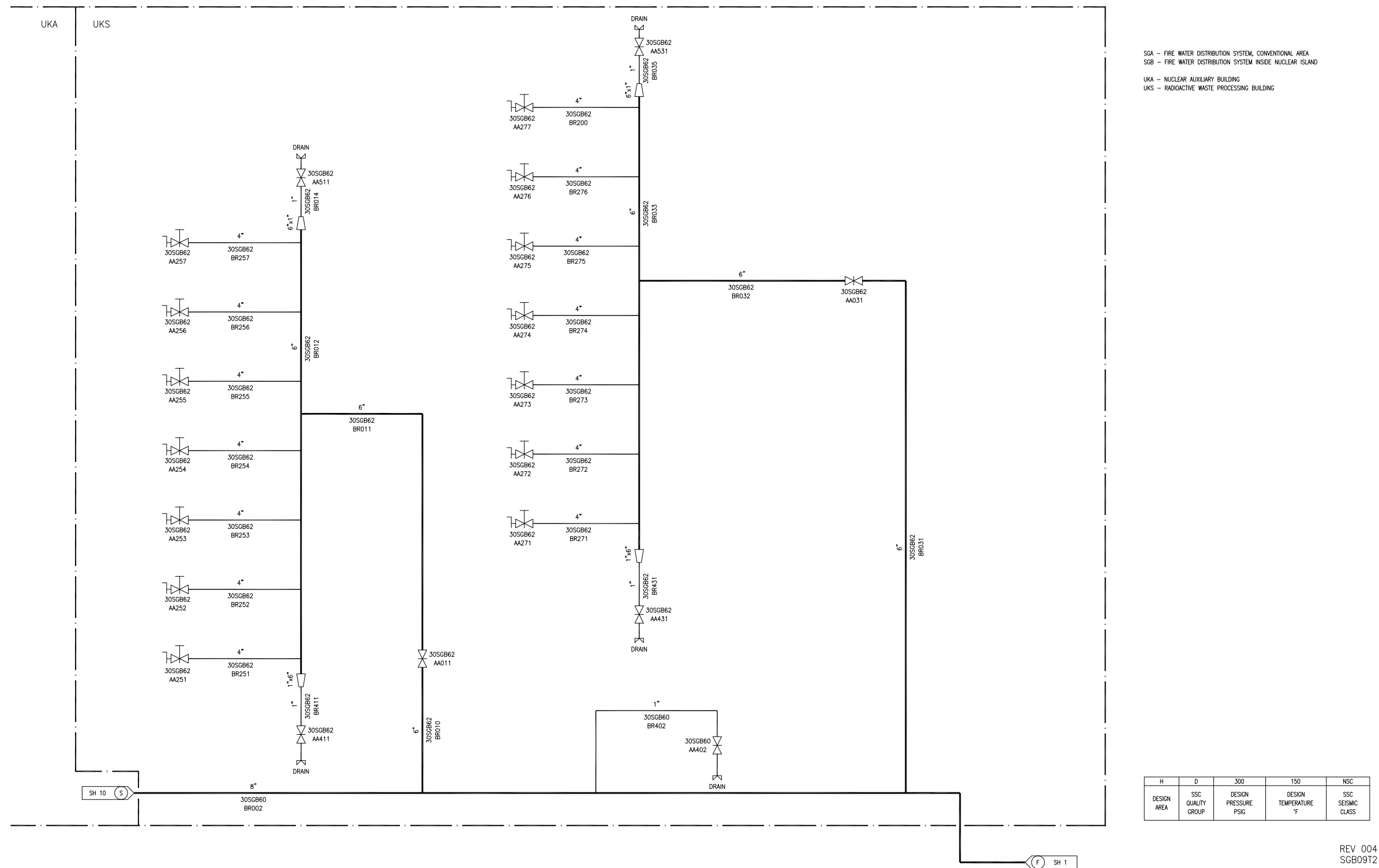
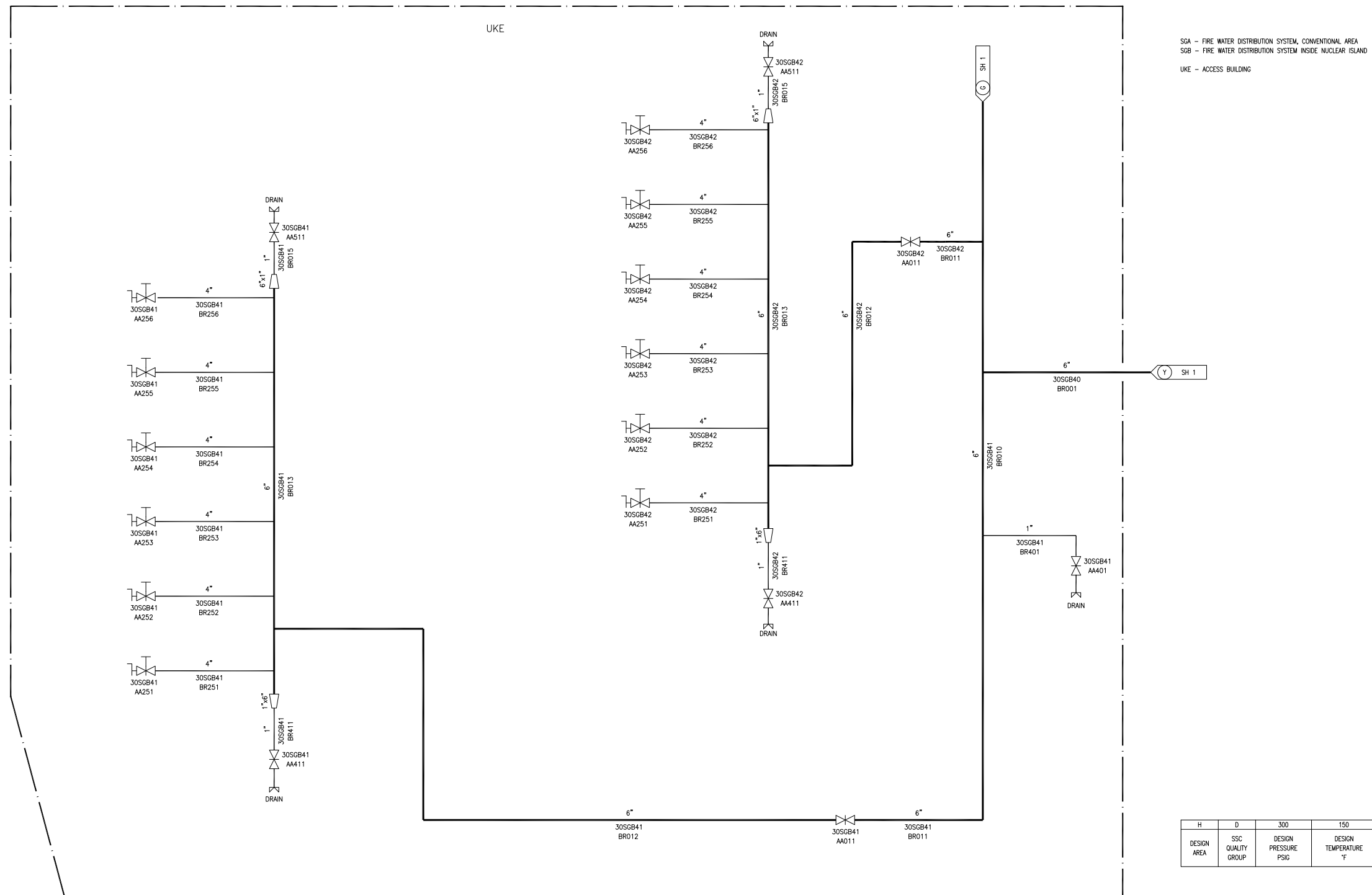


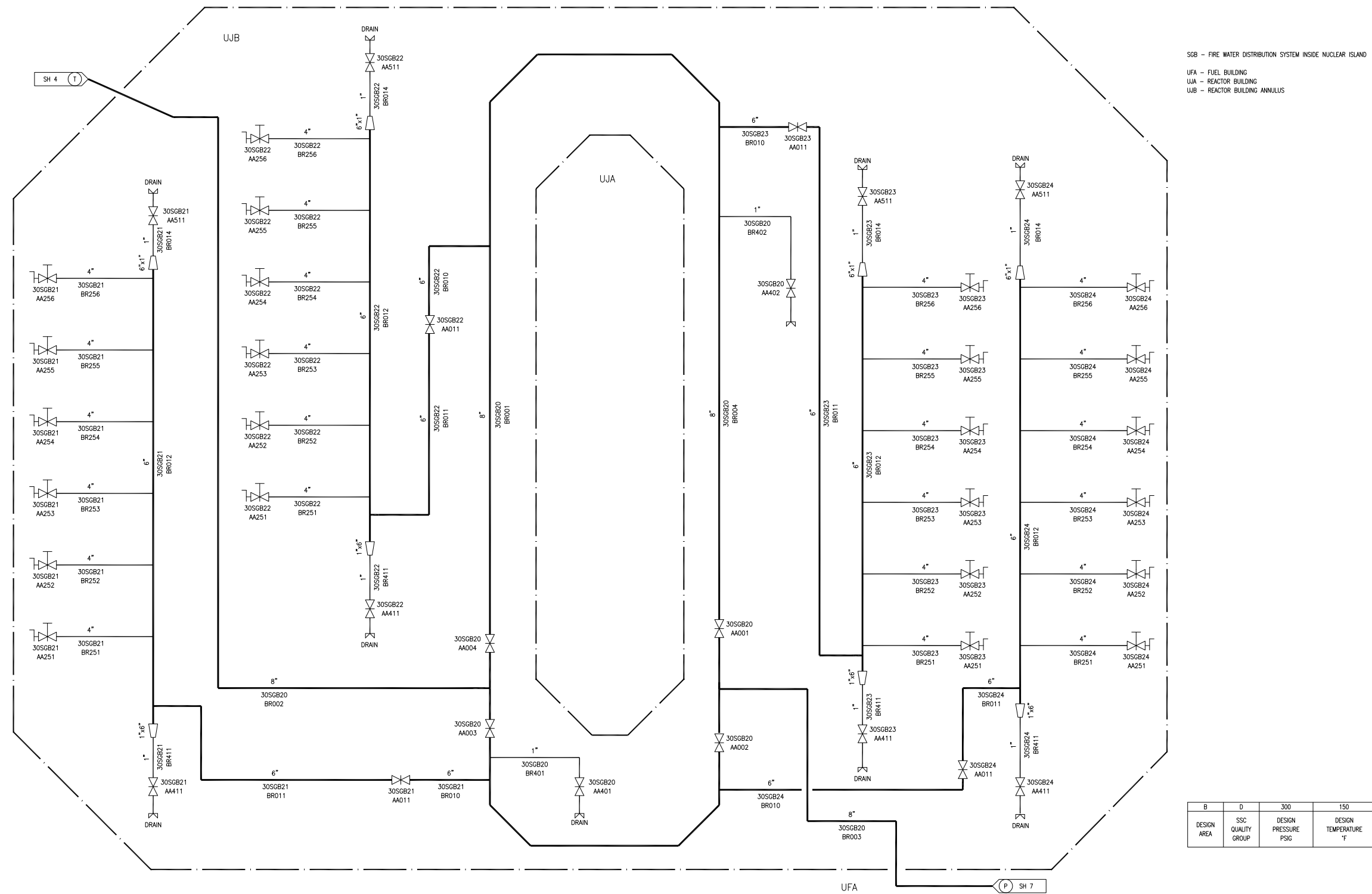
Figure 9.5.1-1—Fire Water Distribution System  
Sheet 12 of 14



H	D	300	150	NSC
DESIGN AREA	SSC QUALITY GROUP	DESIGN PRESSURE PSIG	DESIGN TEMPERATURE °F	SSC SEISMIC CLASS

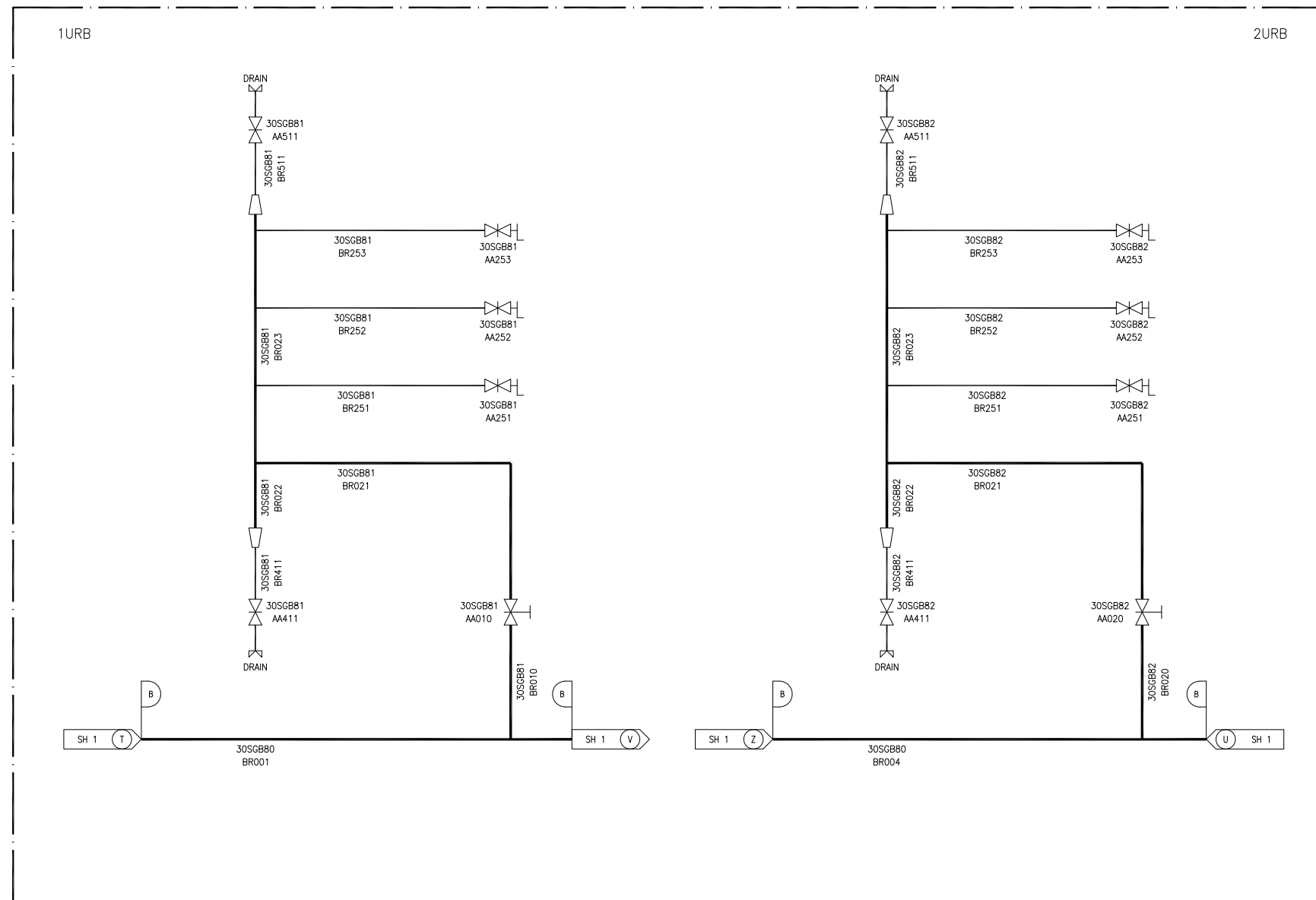
REV 004  
SGB10T2

Figure 9.5.1-1—Fire Water Distribution System  
Sheet 13 of 14



REV 004  
SGB11T2

Figure 9.5.1-1—Fire Water Distribution System  
Sheet 14 of 14



SGB – FIRE WATER DISTRIBUTION SYSTEM INSIDE NUCLEAR ISLAND

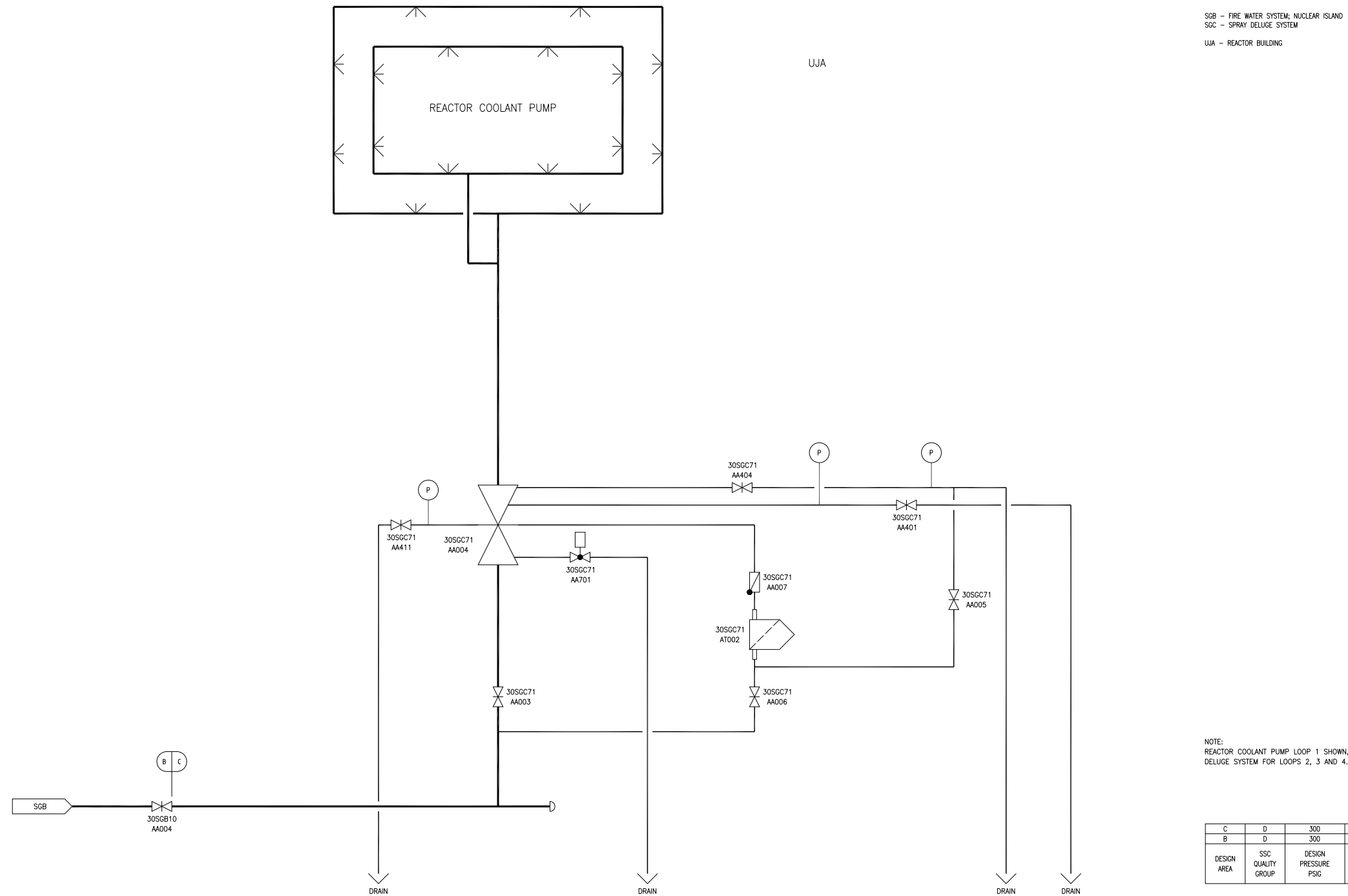
- 1URB – ESSENTIAL SERVICE WATER COOLING TOWER, DIVISION 1
- 2URB – ESSENTIAL SERVICE WATER COOLING TOWER, DIVISION 2
- 3URB – ESSENTIAL SERVICE WATER COOLING TOWER, DIVISION 3
- 4URB – ESSENTIAL SERVICE WATER COOLING TOWER, DIVISION 4

NOTE:  
1URB & 2URB SHOWN. REPRESENTATIVE OF 3URB & 4URB.

DESIGN AREA	SSC QUALITY GROUP	300 DESIGN PRESSURE PSIG	150 DESIGN TEMPERATURE °F	II SSC SEISMIC CLASS
B	D	300	150	II

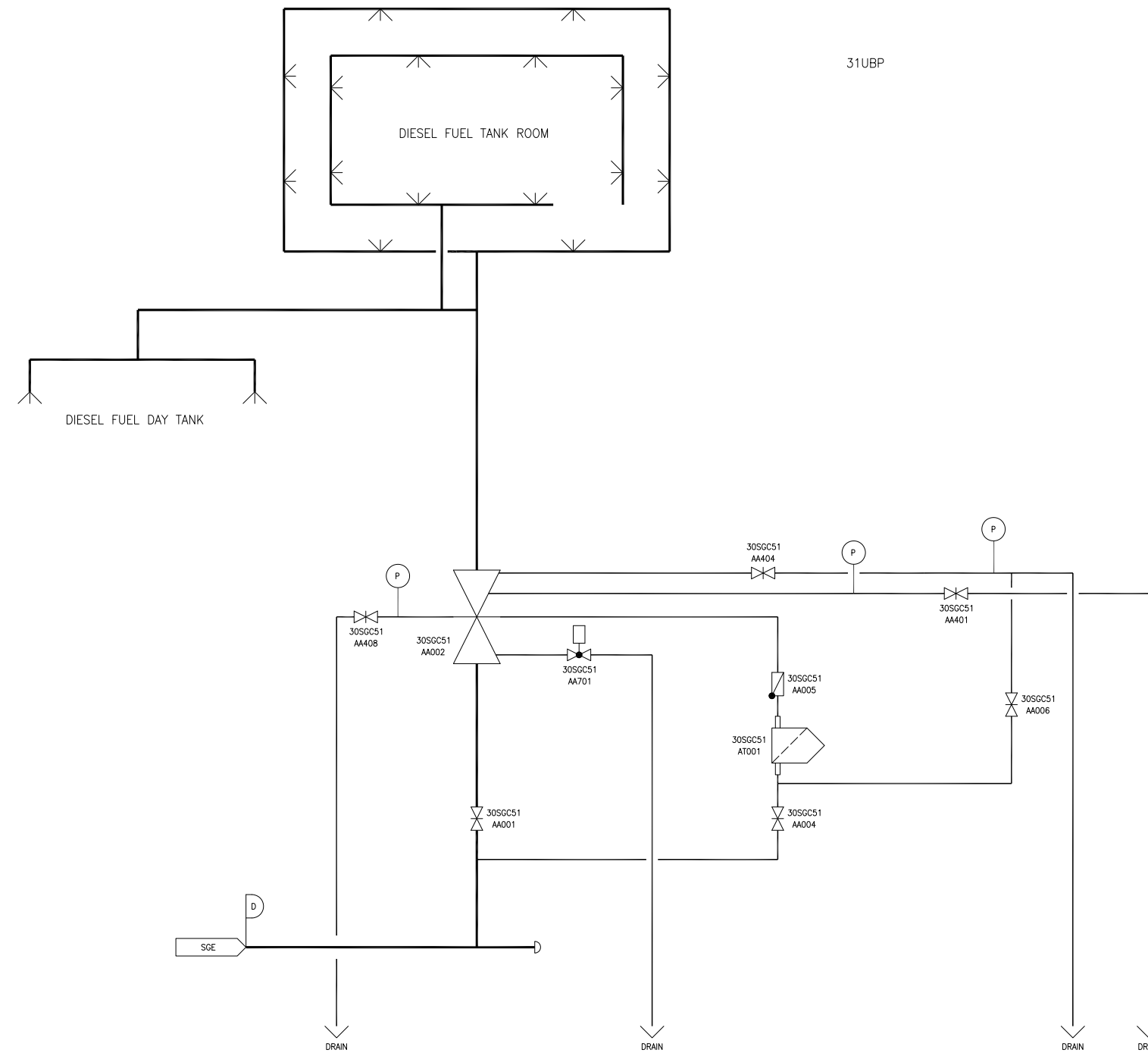
SGB12T2

Figure 9.5.1-2—Spray Deluge Systems Layout  
Sheet 1 of 2



REV 005  
SGC01T2

Figure 9.5.1-2—Spray Deluge Systems Layout  
Sheet 2 of 2



SGC - SPRAY DELUGE SYSTEM  
SGE - SPRINKLER SYSTEMS  
31UBP - EMERGENCY DIESEL GENERATING BUILDING, DIVISION 1

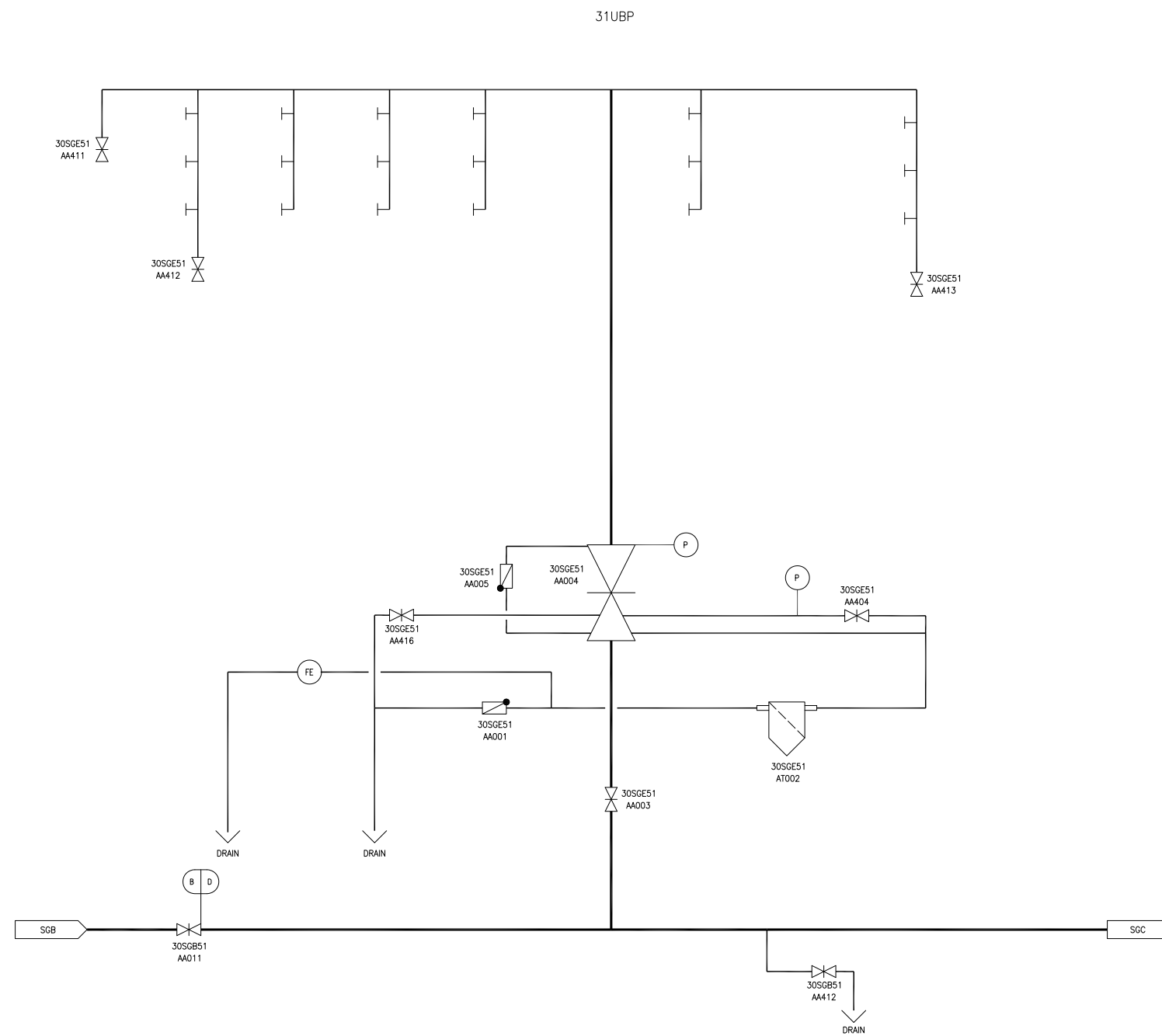
NOTE:  
SPRAY DELUGE DIVISION 1 SHOWN, REPRESENTATIVE OF DIVISIONS 2, 3 AND 4.

DESIGN AREA	SSC QUALITY GROUP	DESIGN PRESSURE PSIG	DESIGN TEMPERATURE °F	SSC SEISMIC CLASS
D	D	300	150	NSC

REV 005  
SGC02T2



Figure 9.5.1-3—Sprinkler Systems Layout



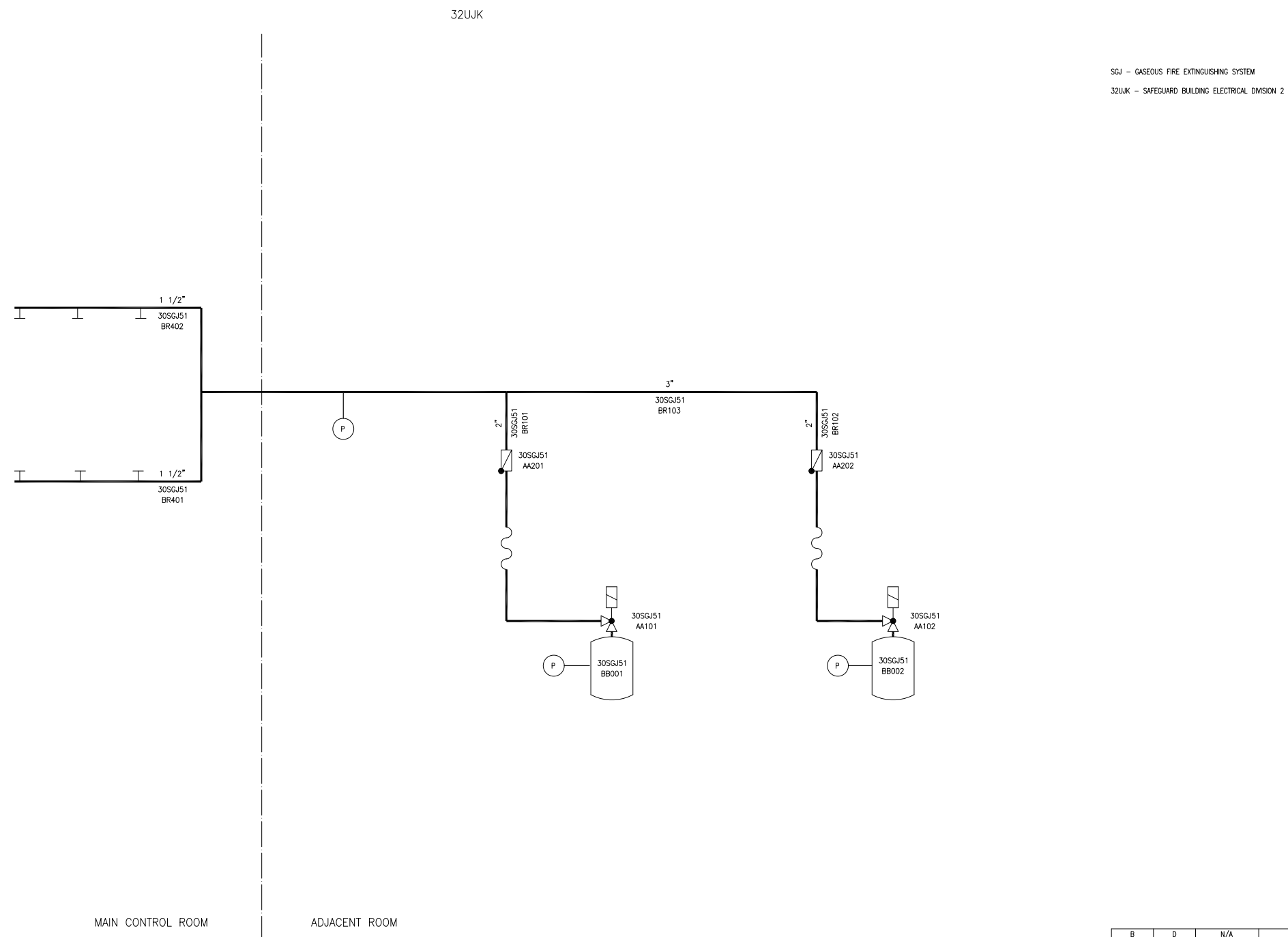
30SGE51 - FIRE WATER DISTRIBUTION SYSTEM INSIDE NUCLEAR ISLAND  
 30SGE51 - SPRAY DELUGE SYSTEMS  
 30SGE51 - SPRINKLER SYSTEMS  
 31UBP - EMERGENCY DIESEL GENERATING BUILDING, DIVISION 1

NOTE:  
 SPRINKLER DIVISION 1 SHOWN, IS REPRESENTATIVE OF DIVISIONS 2, 3 AND 4.

D	D	300	150	NSC
B	D	300	150	II
DESIGN AREA	SSC QUALITY GROUP	DESIGN PRESSURE PSIG	DESIGN TEMPERATURE °F	SSC SEISMIC CLASS

REV 005  
 SGE01T2

Figure 9.5.1-4—Gaseous Fire Extinguishing Systems Layout



B	D	N/A	130	NSC
DESIGN AREA	SSC QUALITY GROUP	DESIGN PRESSURE PSIG	DESIGN TEMPERATURE °F	SSC SEISMIC CLASS

REV 005  
SGJ01T2