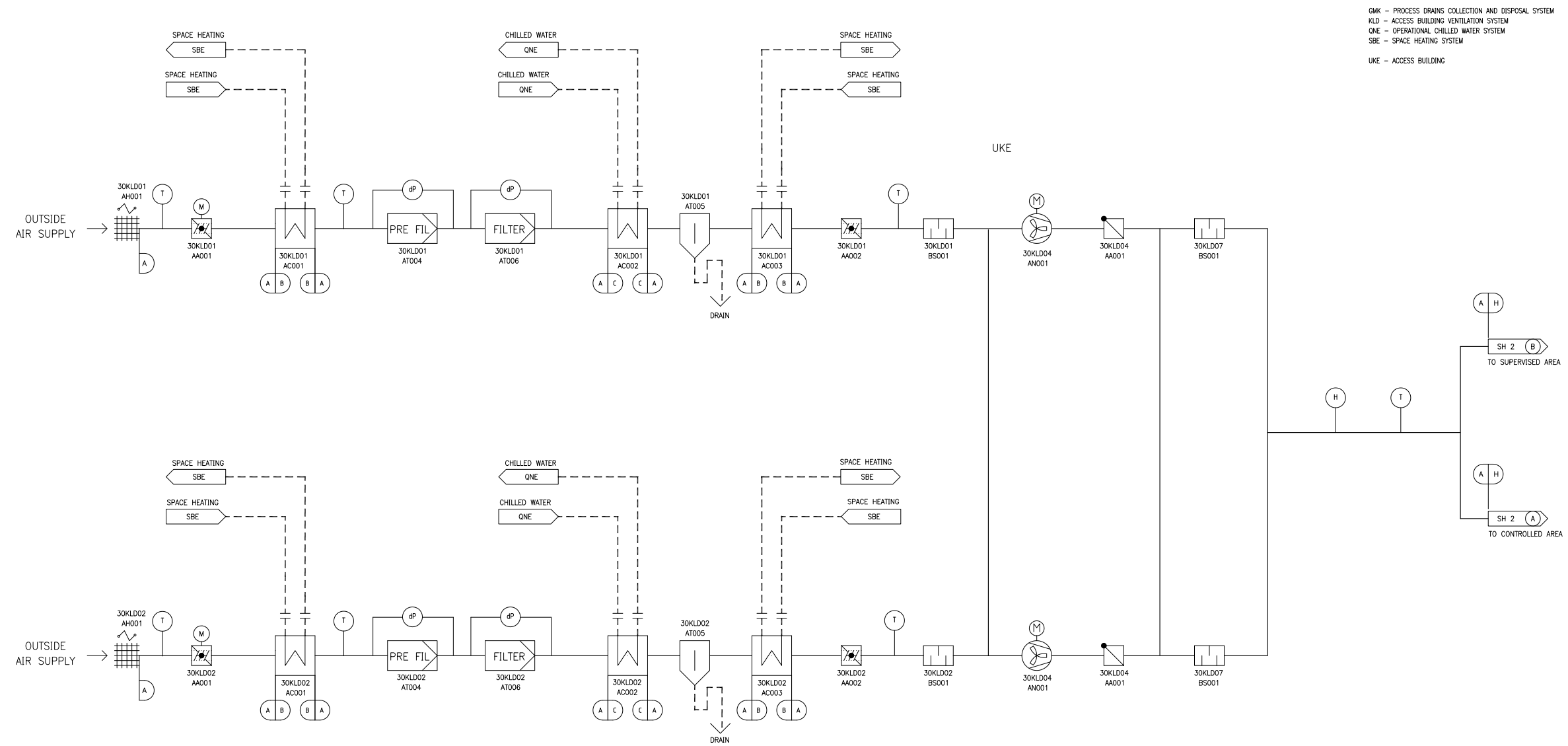


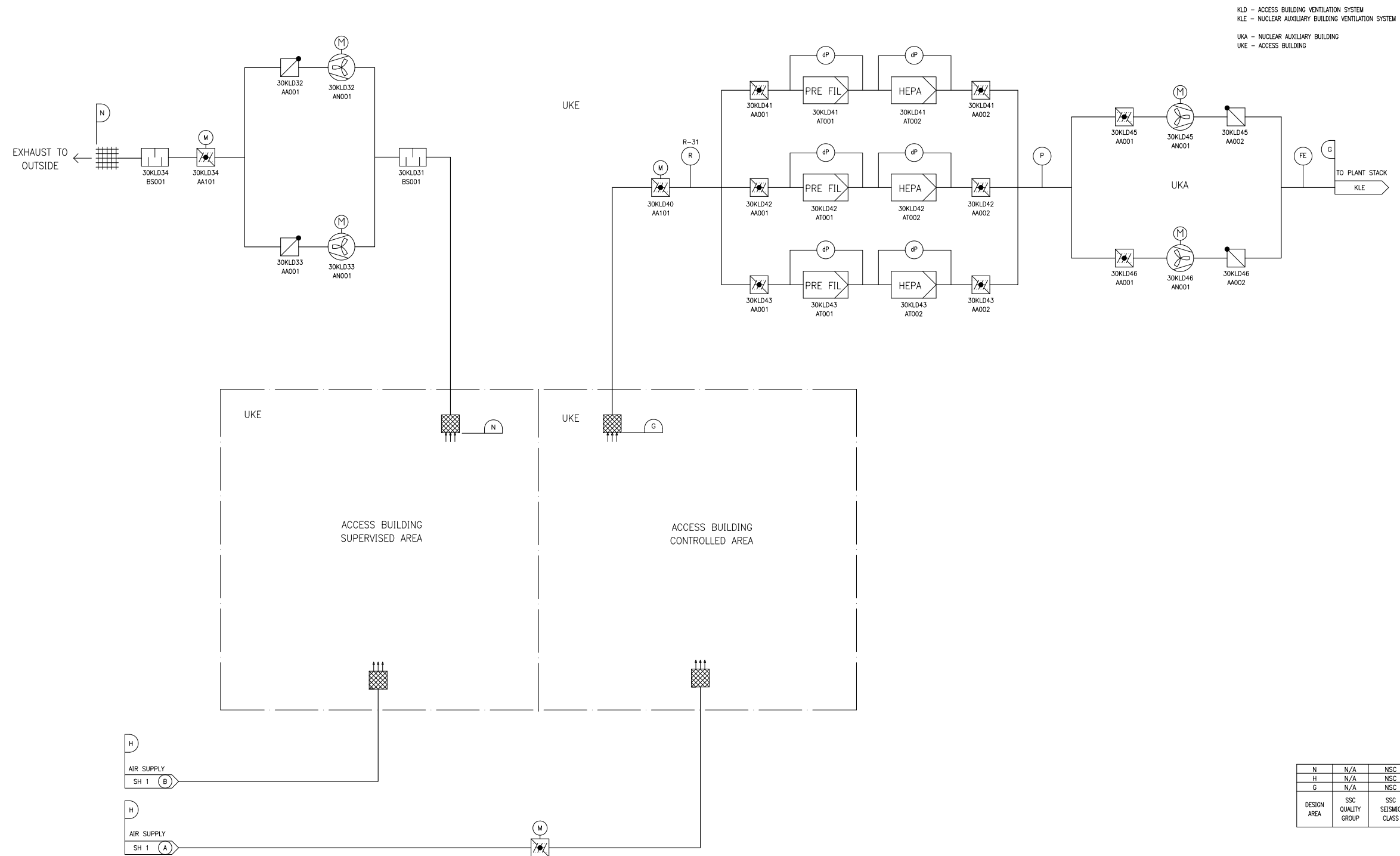
Figure 9.4.14-1—Access Building Ventilation System – Supply Air Subsystem



H	N/A	NSC
C	E	NSC
B	E	NSC
A	N/A	NSC
DESIGN AREA	SSC QUALITY GROUP	SSC SEISMIC CLASS

REV 005  
KLD01T2

Figure 9.4.14-2—Access Building Ventilation System – Supply and Exhaust Air Subsystem



REV 005  
KLD02T2