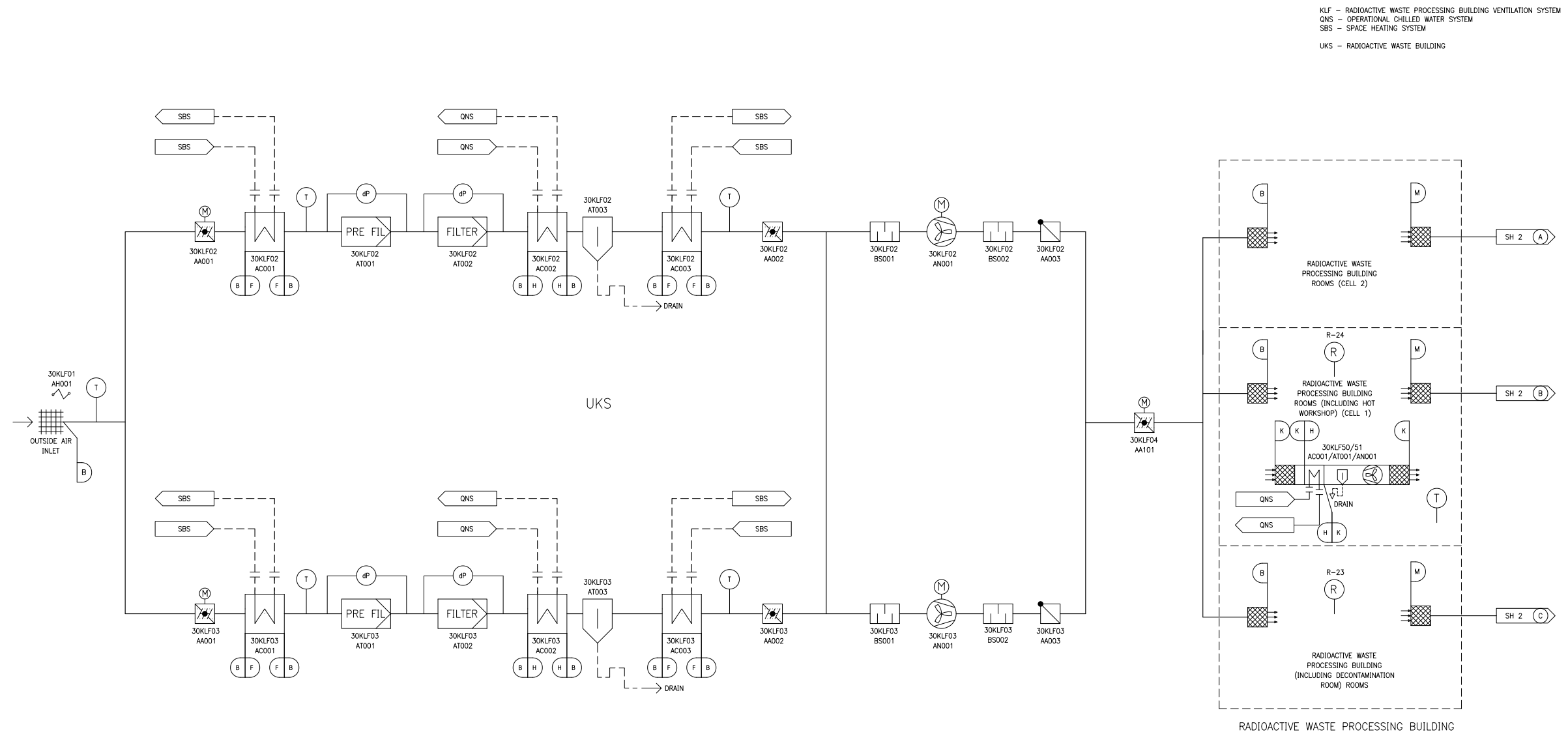


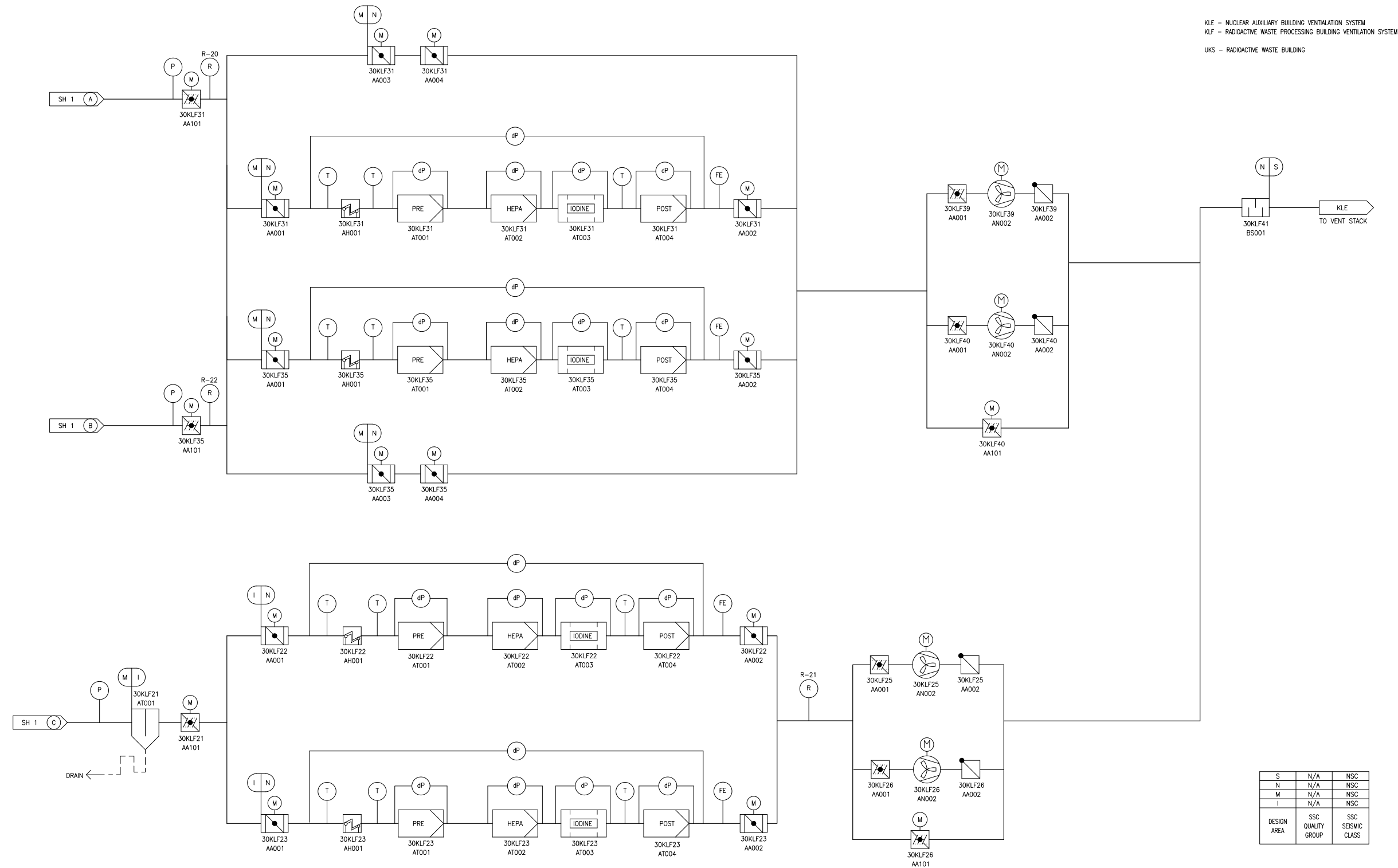
Figure 9.4.8-1—Radioactive Waste Building Ventilation System Air Supply



M	N/A	NSC
K	N/A	NSC
H	E	NSC
F	E	NSC
E	N/A	NSC
B	N/A	NSC
DESIGN AREA	SSC QUALITY GROUP	SSC SEISMIC CLASS

REV 005
KLF01T2

Figure 9.4.8-2—Radioactive Waste Building Ventilation System Exhaust Air Station



REV 005
KLF02T2