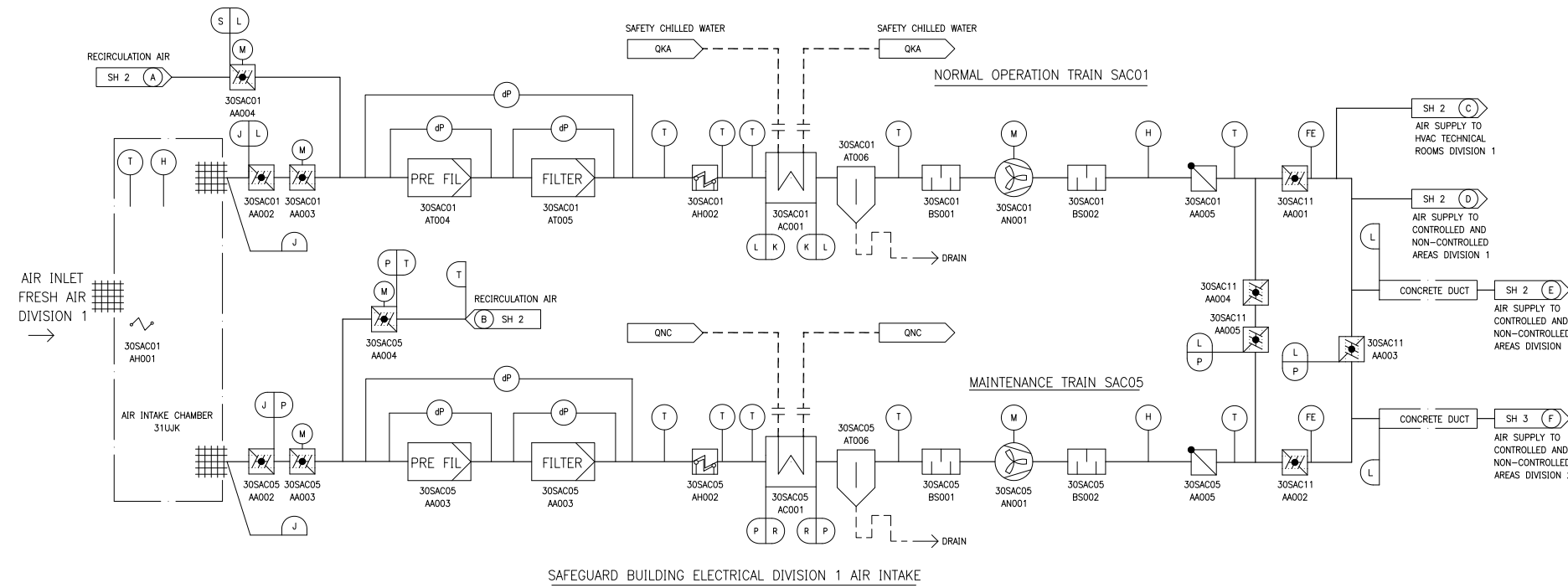
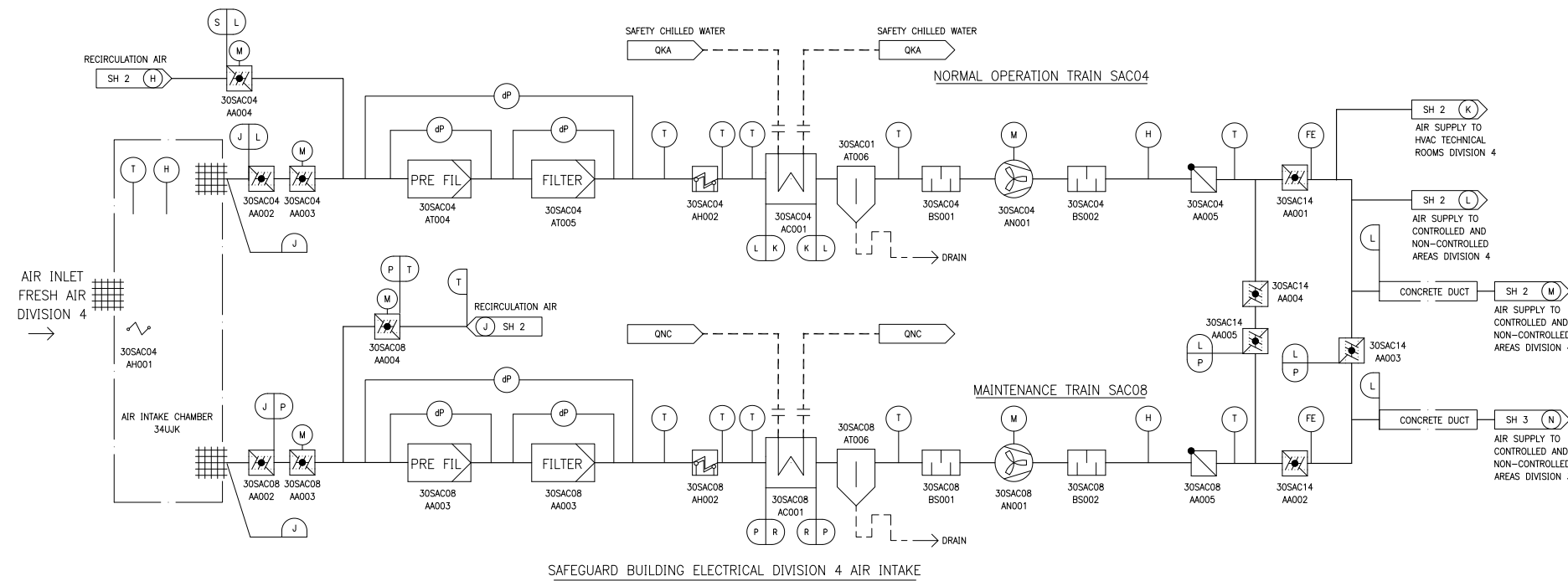


Figure 9.4.6-1—Safeguard Building Electrical Divisions 1 and 4 Air Intake



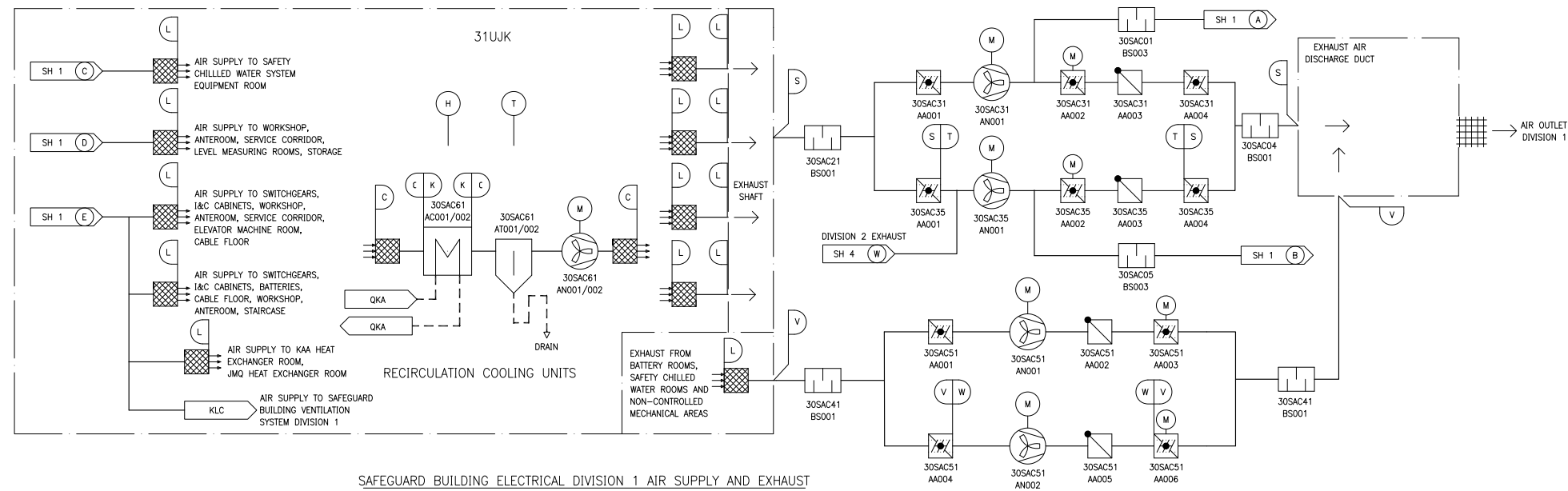
QKA - SAFETY CHILLED WATER SYSTEM
 QNC - OPERATIONAL CHILLED WATER SYSTEM
 SAC - ELECTRICAL DIVISION OF SAFEGUARD BUILDING VENTILATION SYSTEM
 31UJK - SAFEGUARD BUILDING ELECTRICAL, DIVISION 1
 34UJK - SAFEGUARD BUILDING ELECTRICAL, DIVISION 4



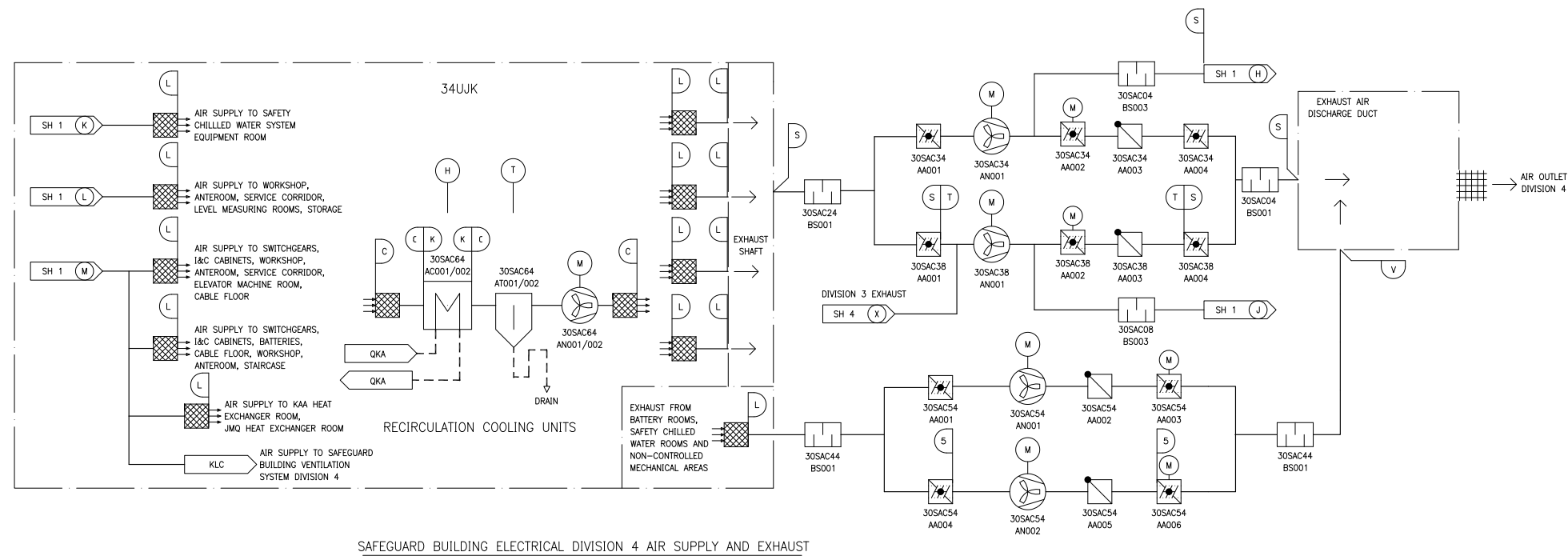
T	N/A	NSC
S	N/A	I
R	E	NSC
P	N/A	NSC
L	N/A	I
K	C	I
J	N/A	I
A	N/A	I
DESIGN AREA	SSC QUALITY GROUP	SSC SEISMIC CLASS

REV 005
 SAC01T2

Figure 9.4.6-2—Safeguard Building Electrical Divisions 1 and 4 Air Supply and Exhaust



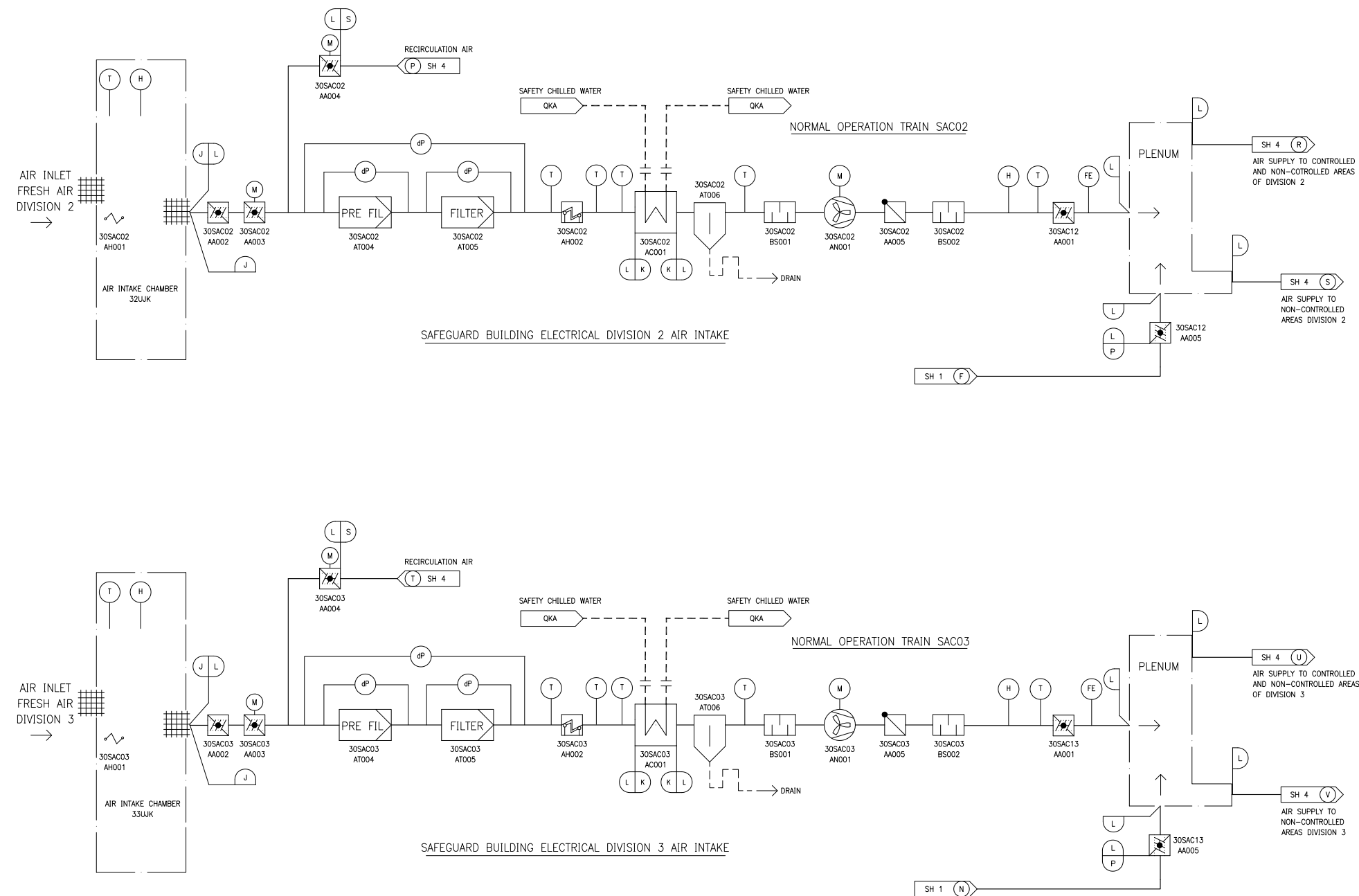
JMQ - SEVERE ACCIDENT HEAT REMOVAL SYSTEM
 KAA - COMPONENT COOLING WATER SYSTEM SAFETY RELATED
 KLC - SAFEGUARD BUILDING CONTROLLED AREA VENTILATION SYSTEM
 QKA - SAFETY CHILLED WATER SYSTEM
 SAC - ELECTRICAL DIVISION OF SAFEGUARD BUILDING VENTILATION SYSTEM
 31UJK - SAFEGUARD BUILDING ELECTRICAL, DIVISION 1
 34UJK - SAFEGUARD BUILDING ELECTRICAL, DIVISION 4



W	N/A	NSC
V	N/A	I
T	N/A	NSC
S	N/A	I
L	N/A	I
K	C	I
C	N/A	I
A	N/A	I
DESIGN AREA	SSC QUALITY GROUP	SSC SEISMIC CLASS

REV 005
 SAC02T2

Figure 9.4.6-3—Safeguard Building Electrical Divisions 2 and 3 Air Intake

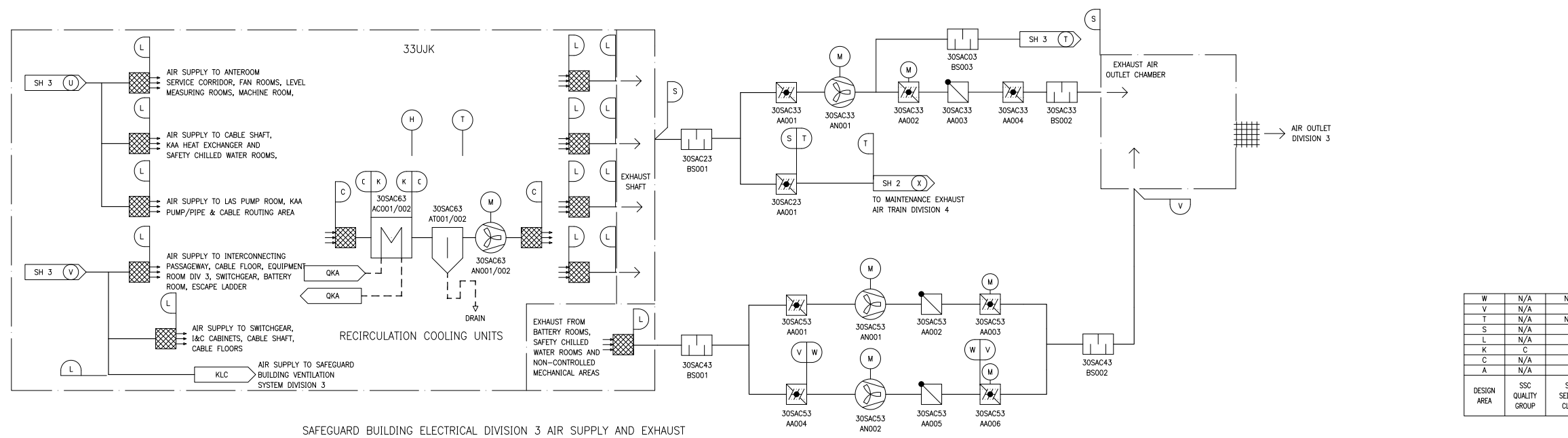
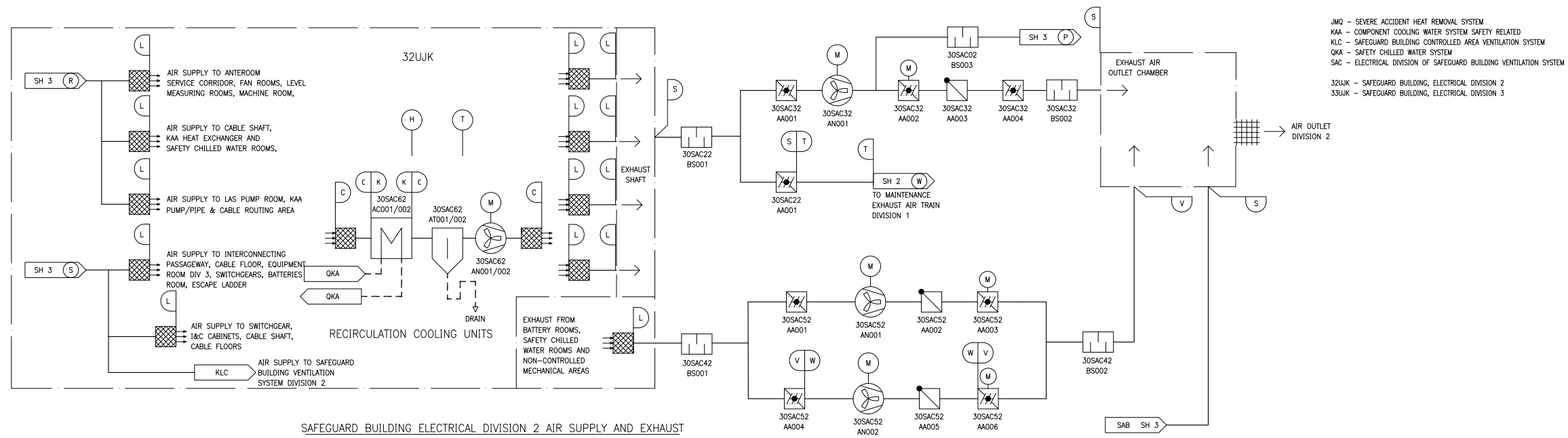


QKA - SAFETY CHILLED WATER SYSTEM
 SAC - ELECTRICAL DIVISION OF SAFEGUARD BUILDING VENTILATION SYSTEM
 32UJK - SAFEGUARD BUILDING ELECTRICAL, DIVISION 2
 33UJK - SAFEGUARD BUILDING ELECTRICAL, DIVISION 3

S	N/A	I
P	N/A	NSC
L	N/A	I
K	C	I
J	N/A	I
DESIGN AREA	SSC QUALITY GROUP	SSC SEISMIC CLASS

REV 005
 SAC03T2

Figure 9.4.6-4—Safeguard Building Electrical Divisions 2 and 3 Air Supply and Exhaust



REV 005
SAC04T2