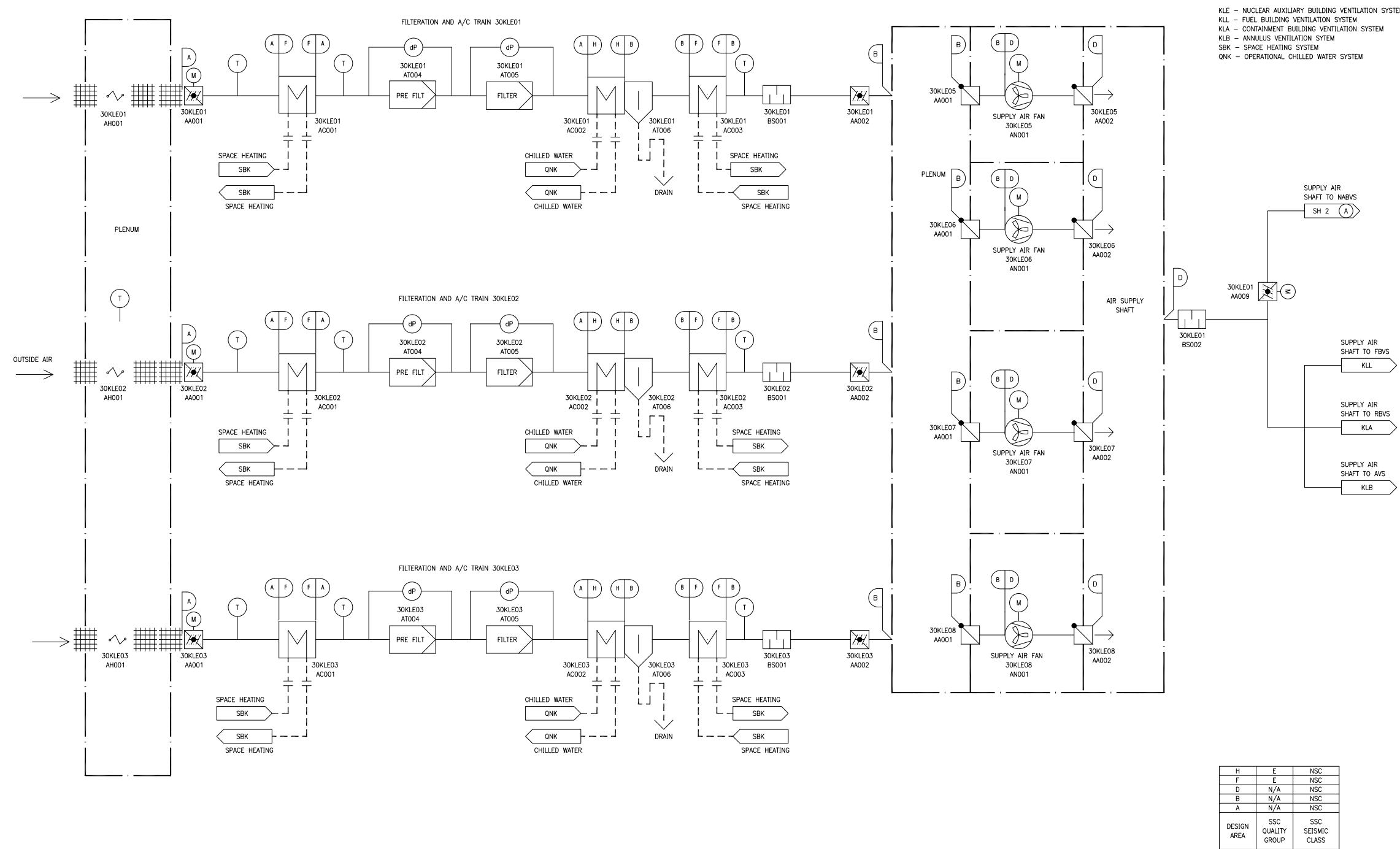
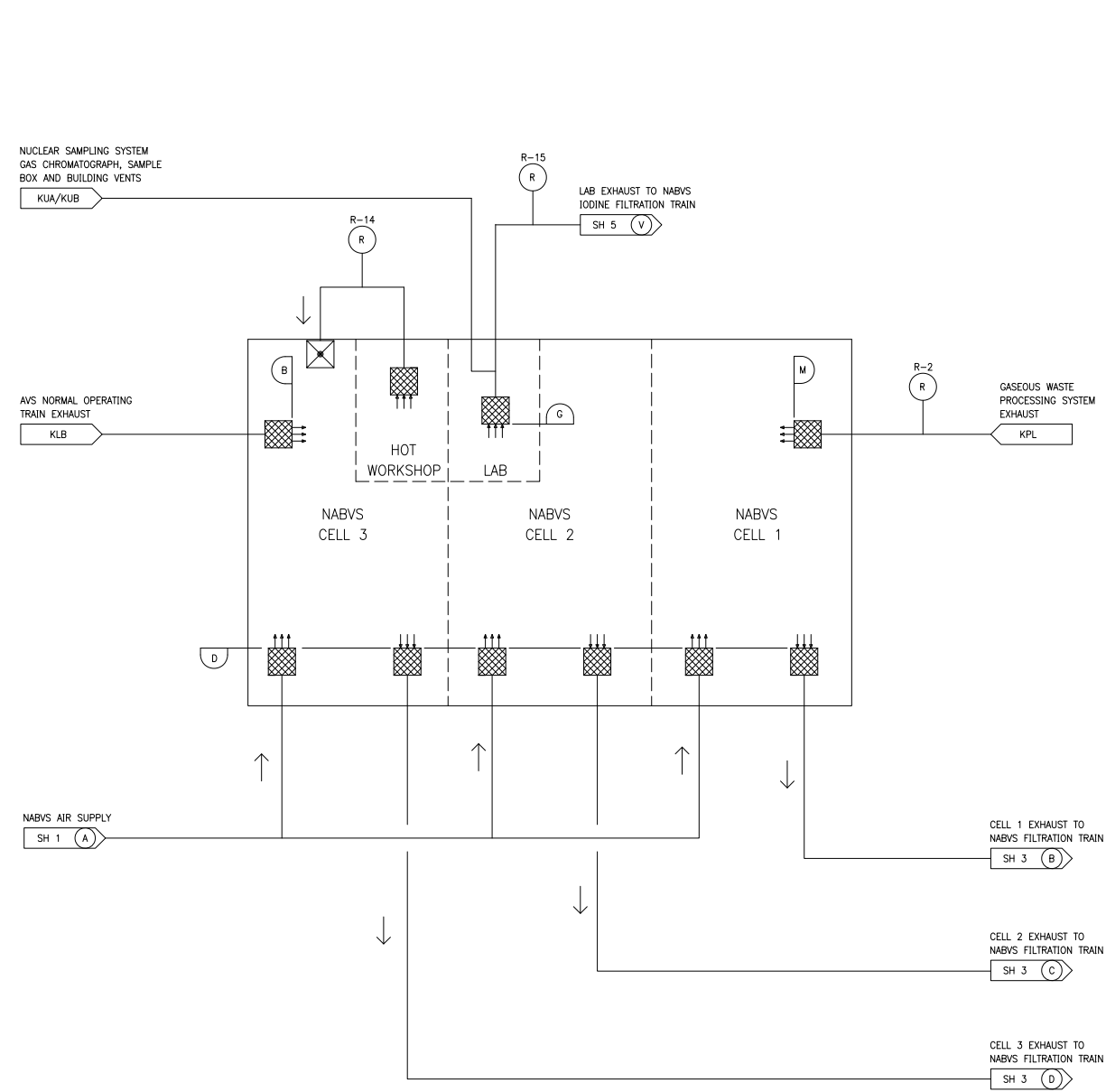


Figure 9.4.3-1—Nuclear Auxiliary Building Supply Air Filtration and A/C Trains



REV 005
KLE01T2

Figure 9.4.3-2—Nuclear Auxiliary Building Air Supply and Exhaust Subsystem

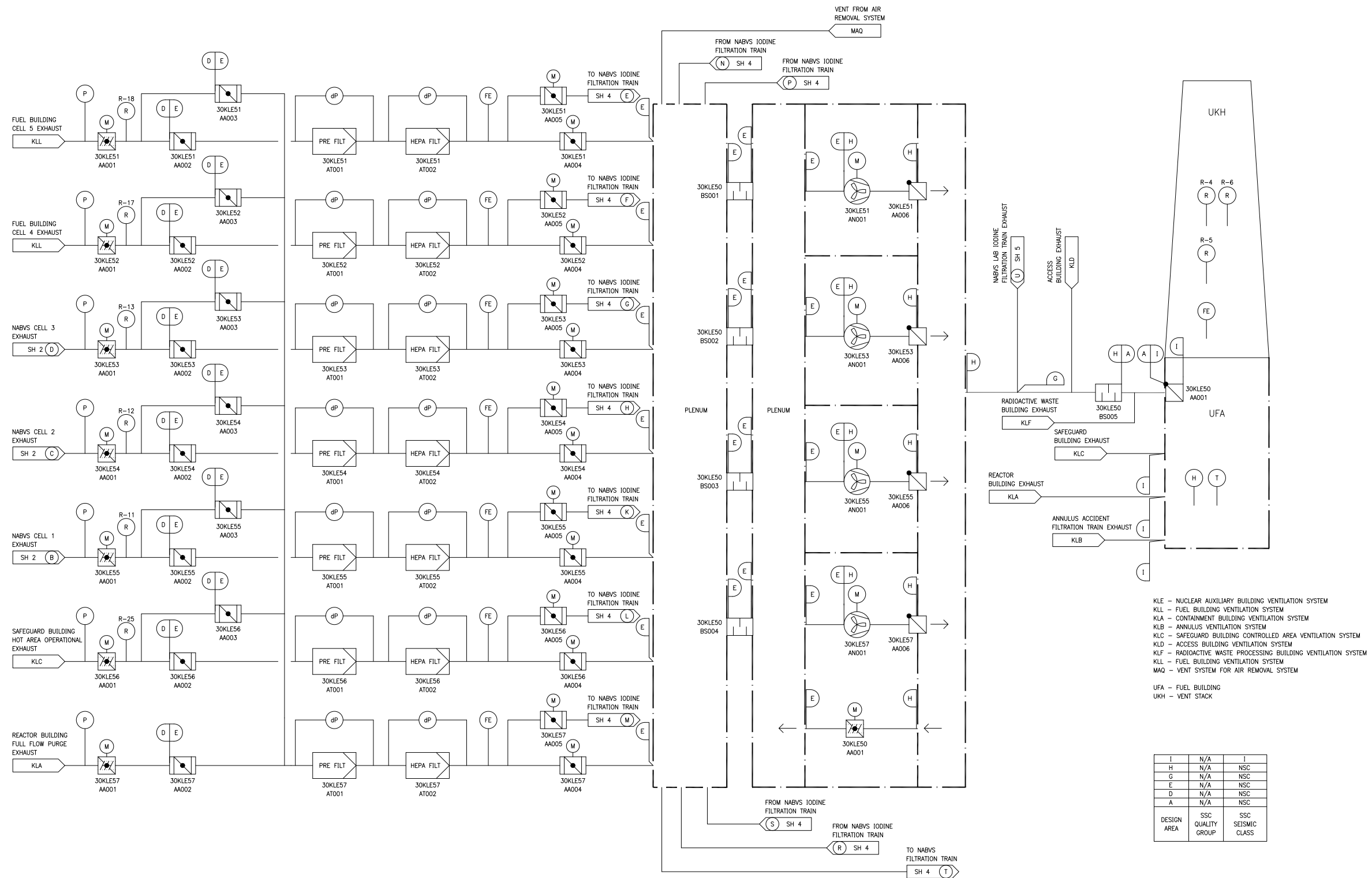


KLE - NUCLEAR AUXILIARY BUILDING VENTILATION SYSTEM
 KLB - ANNULUS VENTILATION SYSTEM
 KPL - GASEOUS WASTE PROCESSING SYSTEM
 KUA/KUB - NUCLEAR SAMPLING SYSTEM

| | | |
|-------------|-------------------|-------------------|
| M | N/A | RS |
| G | N/A | NSC |
| D | N/A | NSC |
| B | N/A | NSC |
| DESIGN AREA | SSC QUALITY GROUP | SSC SEISMIC CLASS |

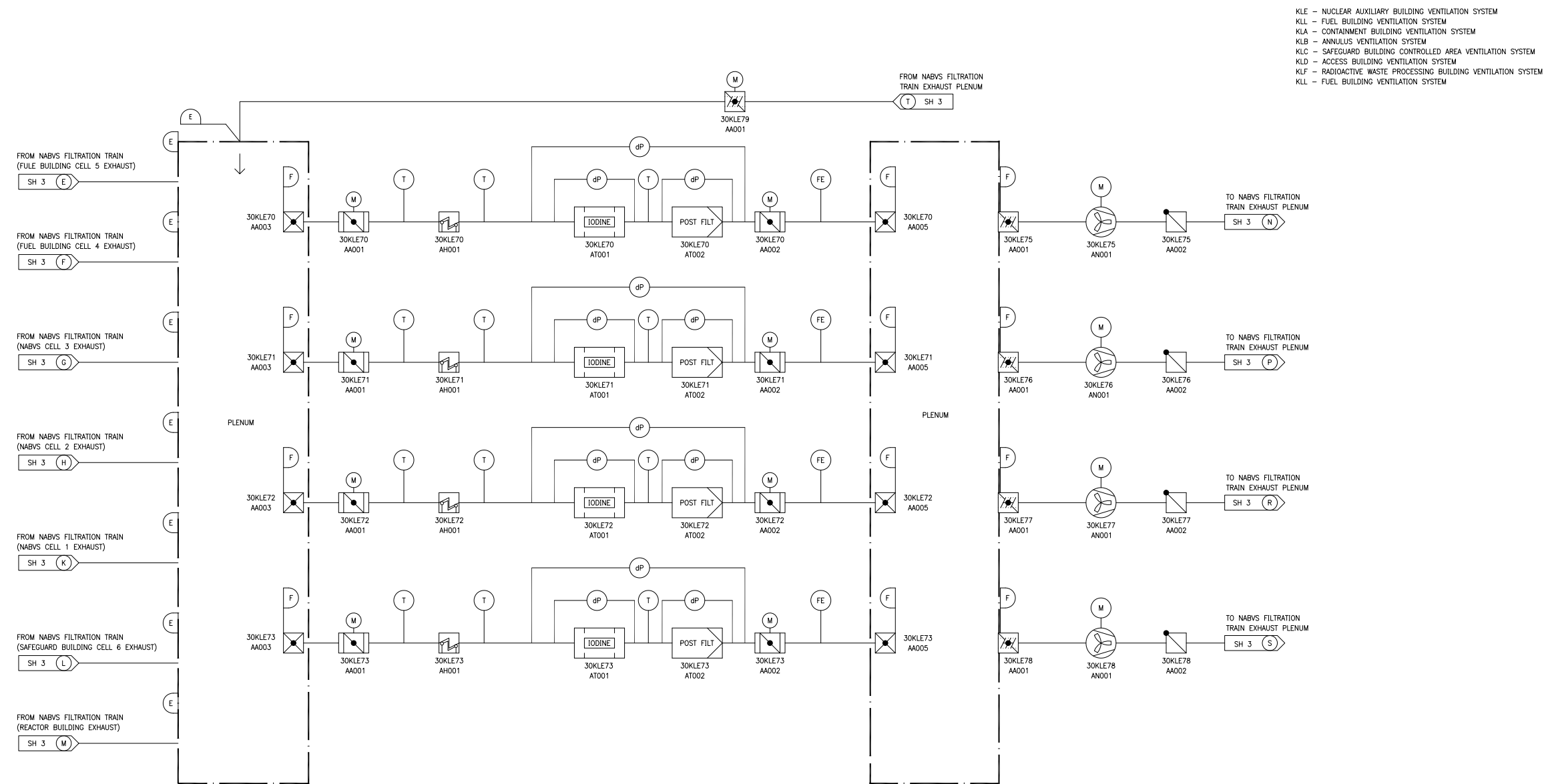
REV 005
 KLE02T2

Figure 9.4.3-3—Nuclear Auxiliary Building Exhaust Filtration Trains Subsystem



REV 005
KLE03T2

Figure 9.4.3-4—Nuclear Auxiliary Building Exhaust Iodine Filtration Train Subsystem

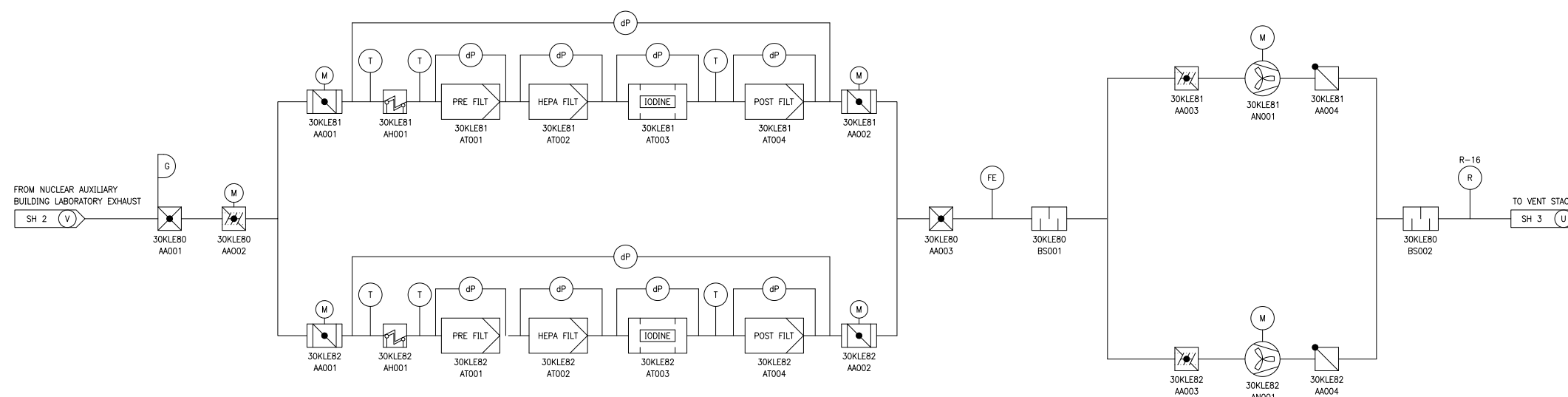


| | | |
|-------------|-------------------|-------------------|
| F | N/A | NSC |
| E | N/A | NSC |
| DESIGN AREA | SSC QUALITY GROUP | SSC SEISMIC CLASS |

REV 005
KLE04T2

Figure 9.4.3-5—Nuclear Auxiliary Building Laboratory Iodine Exhaust Filtration Train

KLE - NUCLEAR AUXILIARY BUILDING VENTILATION SYSTEM



| G | N/A | NSC |
|-------------|-------------------|-------------------|
| DESIGN AREA | SSC QUALITY GROUP | SSC SEISMIC CLASS |

REV 005
KLE05T2