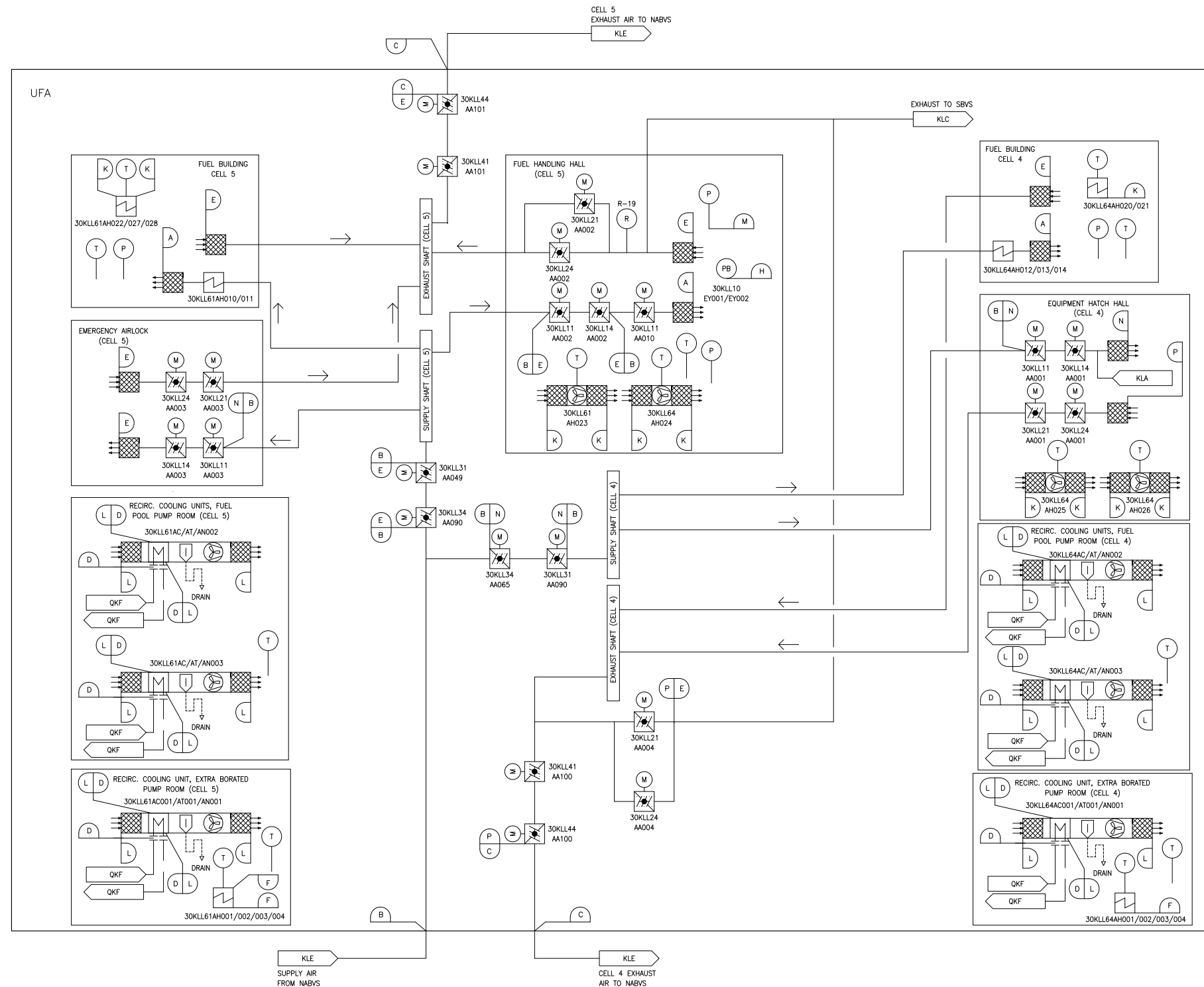


Figure 9.4.2-1—Fuel Building Ventilation System



KLA - CONTAINMENT BUILDING VENTILATION SYSTEM  
 KLC - SAFEGUARD BUILDING CONTROLLED AREA VENTILATION SYSTEM  
 KLE - NUCLEAR AUXILIARY BUILDING VENTILATION SYSTEM  
 KLL - FUEL BUILDING VENTILATION SYSTEM  
 QKF - SAFETY CHILLED WATER SYSTEM IN FUEL BUILDING  
 UFA - FUEL BUILDING

P	N/A	I
N	N/A	I
M	N/A	I
L	N/A	I
K	N/A	NSC
H	N/A	I
F	N/A	I
E	N/A	I
D	C	I
C	N/A	I I
B	N/A	I I
A	N/A	I I
DESIGN AREA	SSC QUALITY GROUP	SSC SEISMIC CLASS

REV 005  
 KLL01T2