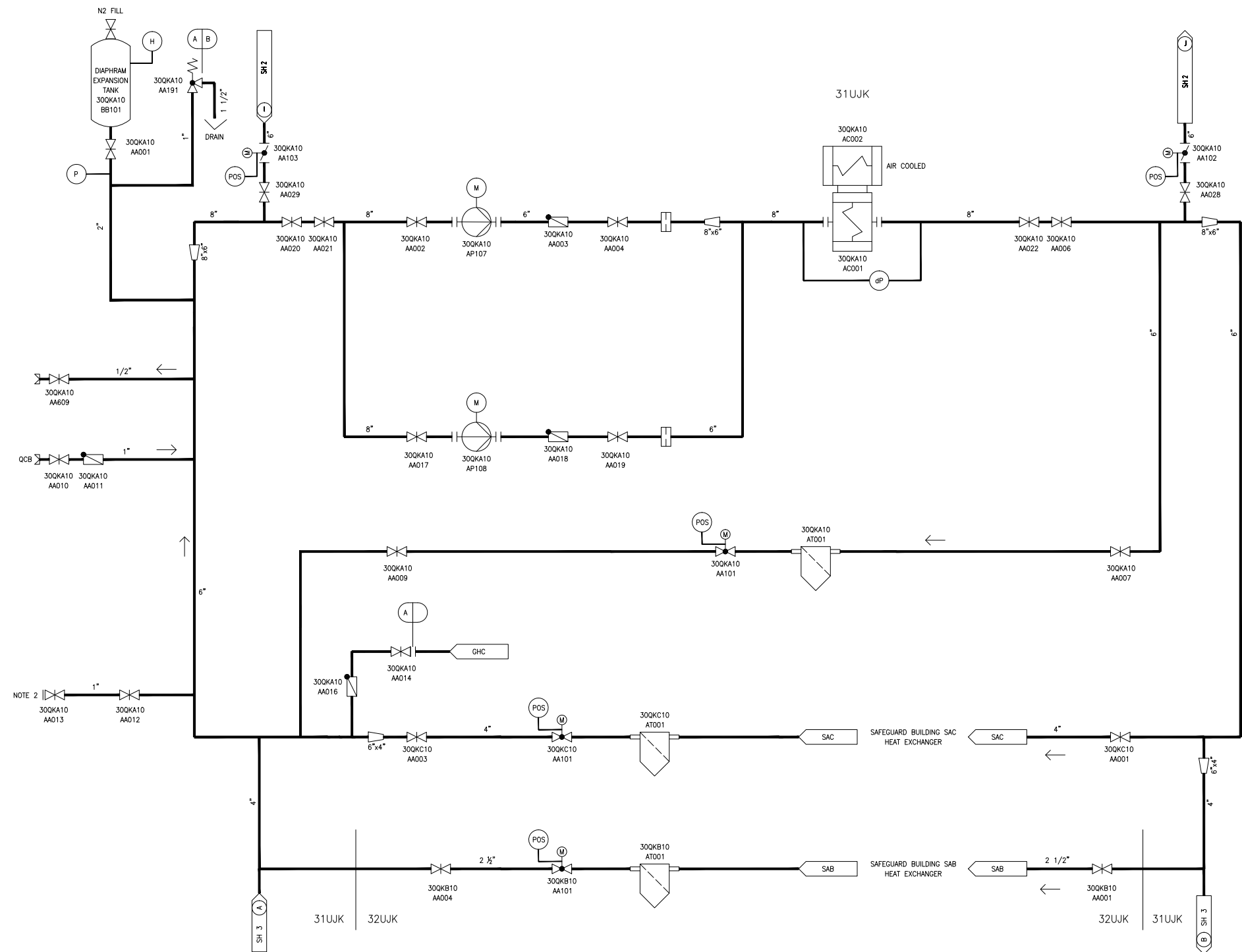


Figure 9.2.8-1—Safety Chilled Water System Diagram
Sheet 1 of 4



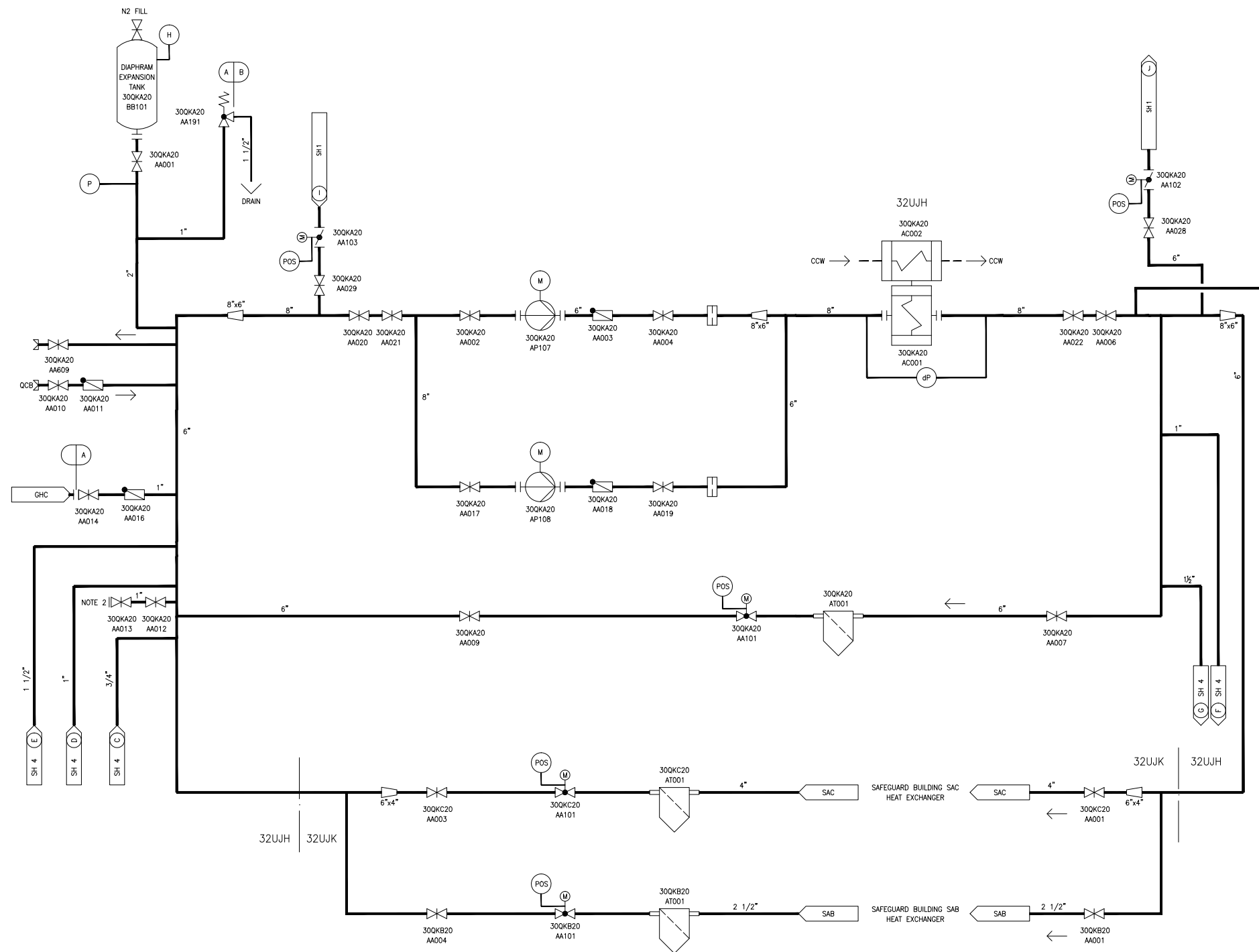
GHC – DEMINERALIZED WATER DISTRIBUTION SYSTEM
 QCB – MOBILE HYDRAZINE INJECTION SYSTEM FOR NUCLEAR ISLAND
 QKA – SAFETY CHILLED WATER SYSTEM MAIN COMPONENTS
 QKB – SAFETY CHILLED WATER DISTRIBUTION LINES TO MAIN CONTROL ROOM AIR CONDITIONING
 QKC – SAFETY CHILLED WATER DISTRIBUTION LINES TO SAFEGUARD BUILDINGS
 SAB – MAIN CONTROL ROOM AIR CONDITION SYSTEM
 SAC – ELECTRICAL DIVISION OF SAFEGUARD BUILDING VENTILATION SYSTEM
 31UJK – SAFEGUARD BUILDING ELECTRICAL DIVISION 1
 32UJK – SAFEGUARD BUILDING ELECTRICAL DIVISION 2

- NOTES:
1. TRAIN 1 SHOWN IS REPRESENTATIVE OF TRAIN 4 WITH EXCEPTIONS AS NOTED.
 2. FOR MANUAL CONNECTION TO SEISMIC MAKEUP WATER SOURCE.

| | | |
|-------------|-------------------|-------------------|
| B | C | I |
| A | C | I |
| DESIGN AREA | SSC QUALITY GROUP | SSC SEISMIC CLASS |

REV 003
QKA01T2

Figure 9.2.8-1—Safety Chilled Water System Diagram
Sheet 2 of 4



GHC - DEMINERALIZED WATER DISTRIBUTION SYSTEM
 OCB - MOBILE HYDRAZINE INJECTION SYSTEM FOR NUCLEAR ISLAND
 QKA - SAFETY CHILLED WATER SYSTEM MAIN COMPONENTS
 QKB - SAFETY CHILLED WATER DISTRIBUTION LINES TO MAIN CONTROL ROOM AIR CONDITIONING
 QKC - SAFETY CHILLED WATER DISTRIBUTION LINES TO SAFEGUARD BUILDINGS
 SAB - MAIN CONTROL ROOM AIR CONDITION SYSTEM
 SAC - ELECTRICAL DIVISION OF SAFEGUARD BUILDINGS VENTILATION SYSTEM
 32UJH - SAFEGUARD BUILDING MECHANICAL DIVISION 2
 32UJK - SAFEGUARD BUILDING ELECTRICAL DIVISION 2

NOTES:
 1. TRAIN 2 SHOWN IS REPRESENTATIVE OF TRAIN 3.
 2. FOR MANUAL CONNECTION TO SEISMIC MAKEUP WATER SOURCE.

| | | |
|-------------|-------------------|-------------------|
| B | C | I |
| A | C | I |
| DESIGN AREA | SSC QUALITY GROUP | SSC SEISMIC CLASS |

REV 003
 QKA02T2

Figure 9.2.8-1—Safety Chilled Water System Diagram
Sheet 3 of 4

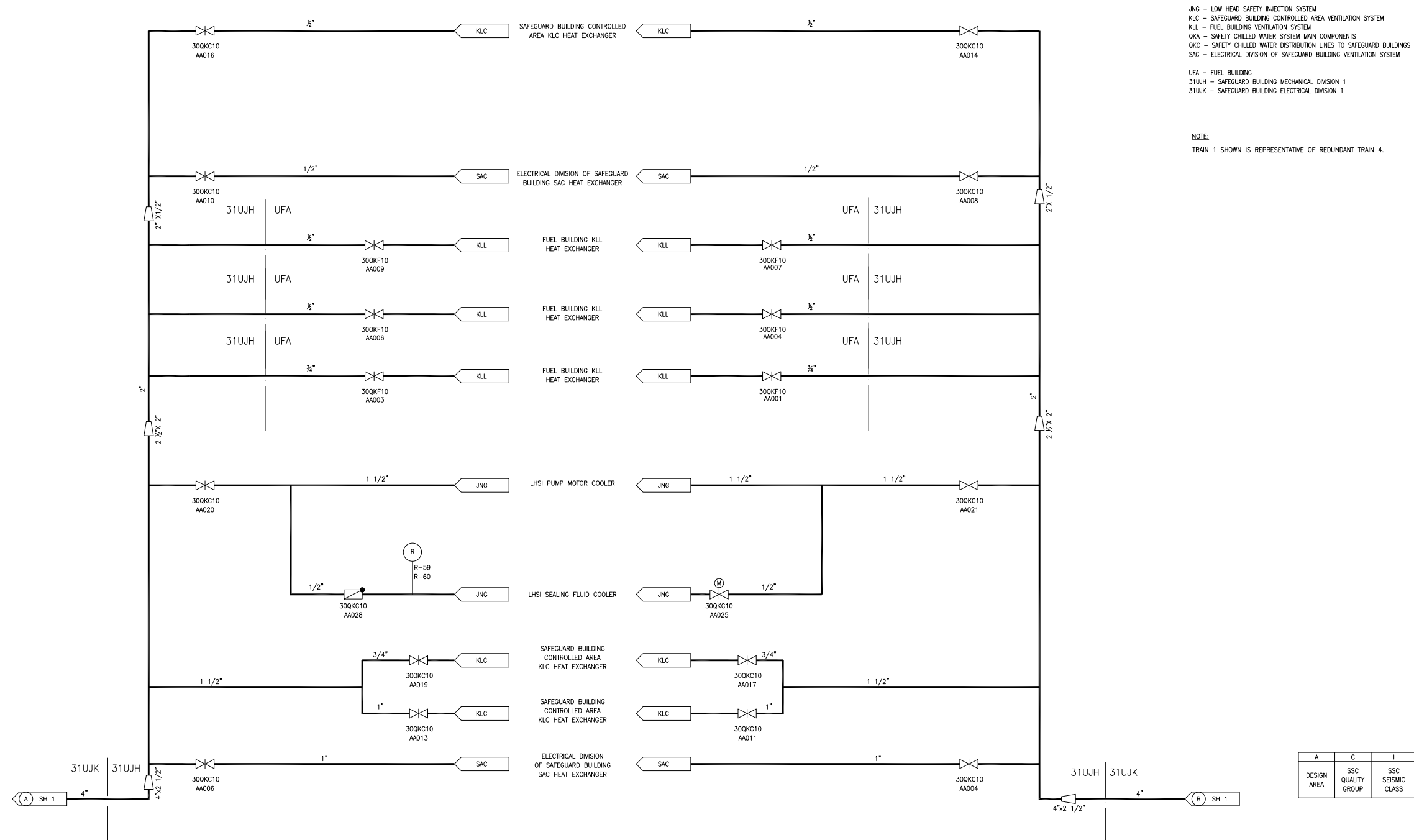
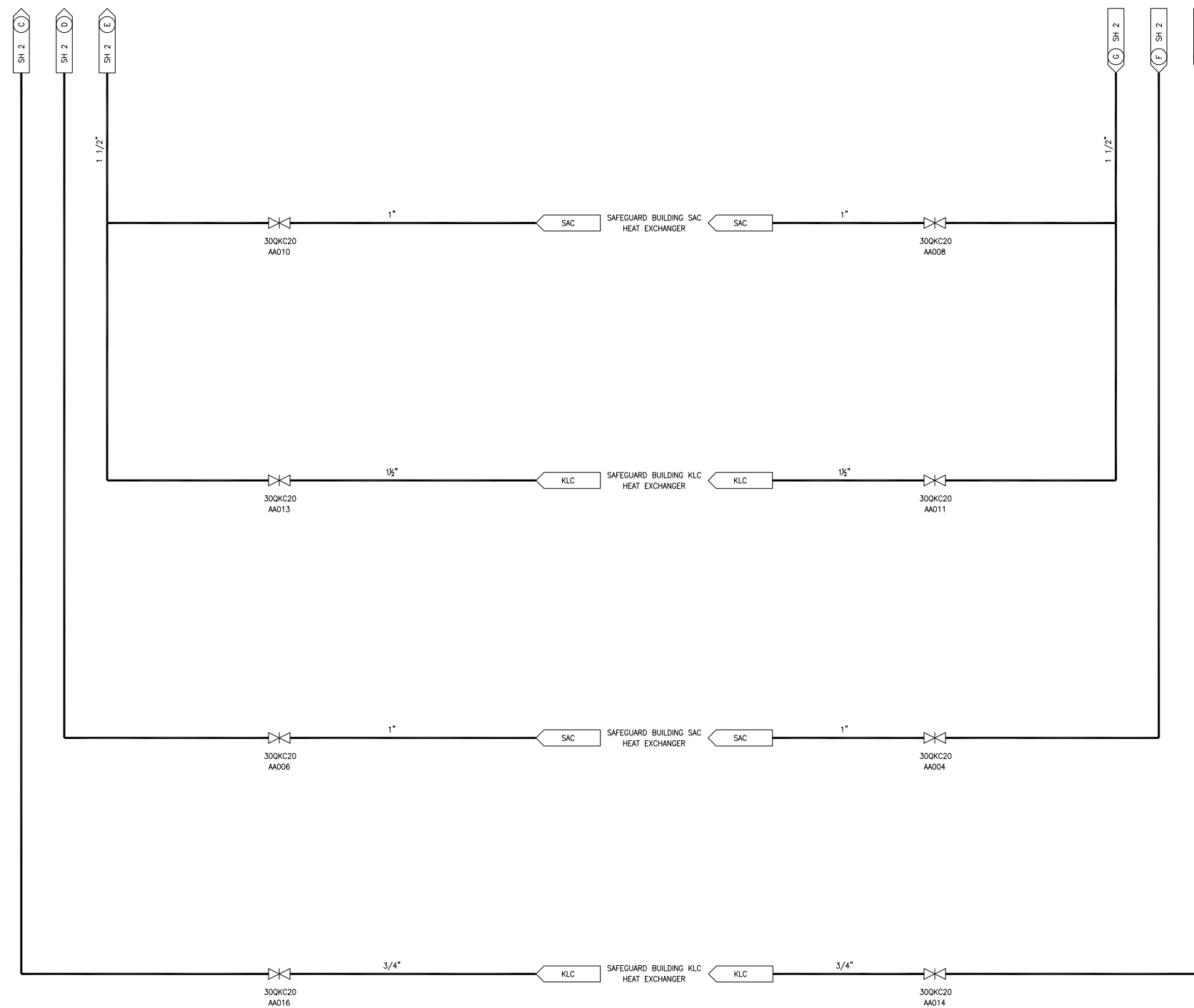


Figure 9.2.8-1—Safety Chilled Water System Diagram
Sheet 4 of 4



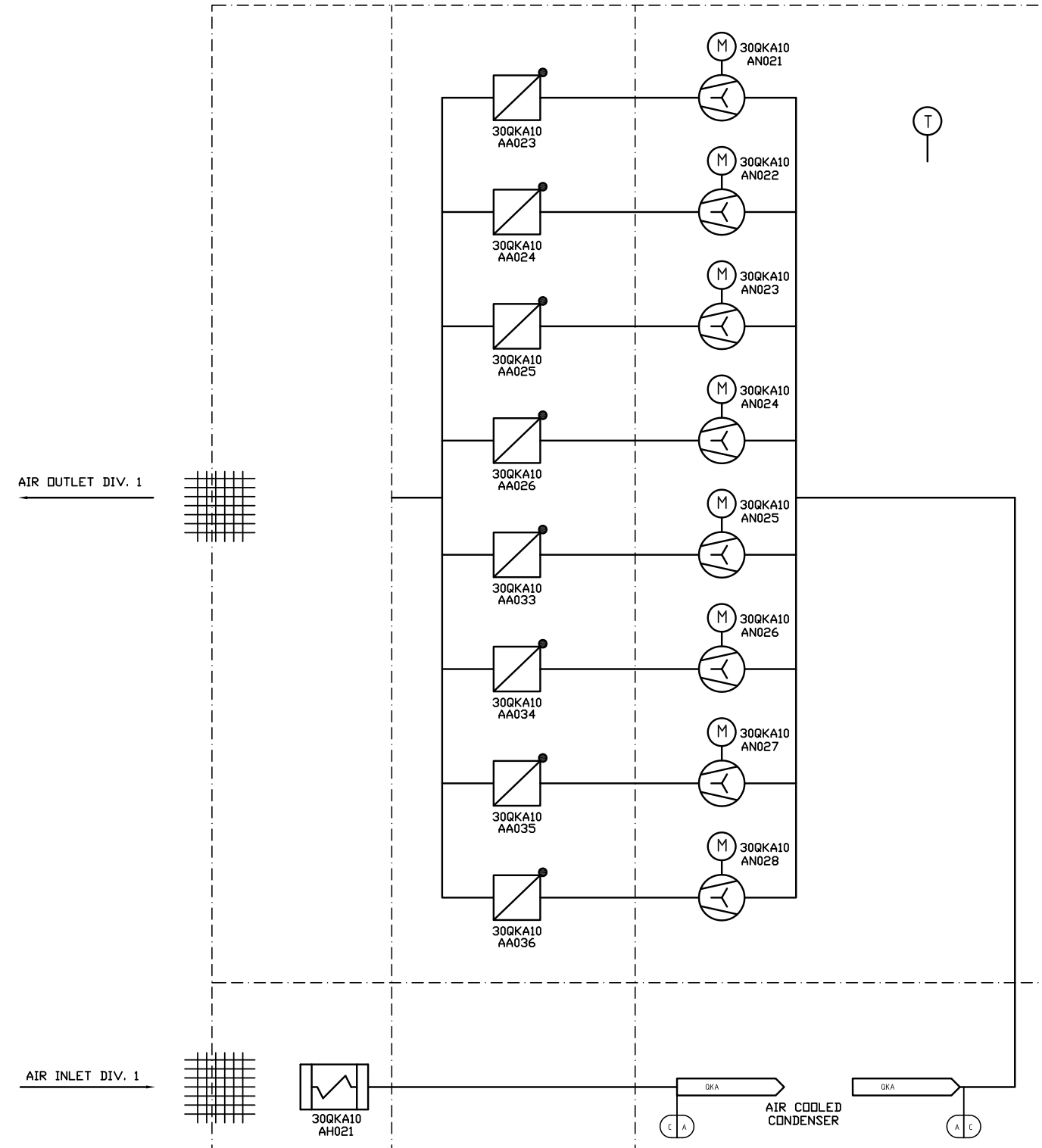
KLC - SAFEGUARD BUILDING CONTROLLED AREA VENTILATION SYSTEM
 QKA - SAFETY CHILLED WATER SYSTEM MAIN COMPONENTS
 QKC - SAFETY CHILLED WATER DISTRIBUTION LINES TO SAFEGUARD BUILDINGS
 SAC - ELECTRICAL DIVISION OF SAFEGUARD BUILDING VENTILATION SYSTEM
 32UJH - SAFEGUARD BUILDING MECHANICAL DIVISION 2

NOTE:
 TRAIN 2 SHOWN IS REPRESENTATIVE OF REDUNDANT TRAIN 3.

| A | C | I |
|-------------|-------------------|-------------------|
| DESIGN AREA | SSC QUALITY GROUP | SSC SEISMIC CLASS |

REV 003
 QKA04T2

Figure 9.2.8-2—Safety Chilled Water System Air Cooled Division Diagram



NOTES:
1. TRAIN 1 SHOWN IS REPRESENTATIVE OF TRAIN 4.

| | | |
|-------------|-------------------|-------------------|
| A | C | I |
| C | N/A | I |
| DESIGN AREA | SSC QUALITY GROUP | SSC SEISMIC CLASS |

QKA05 T2